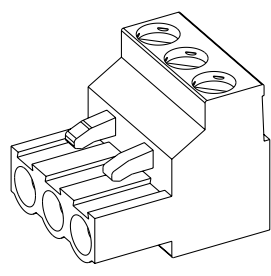
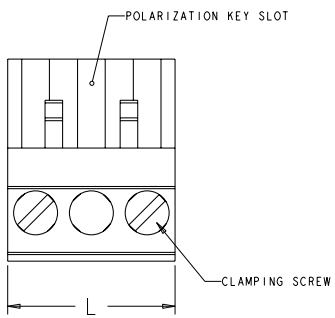
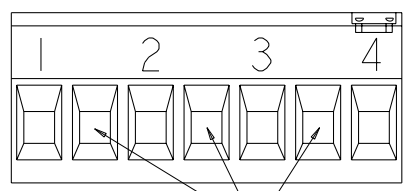


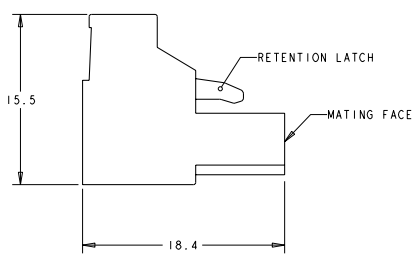
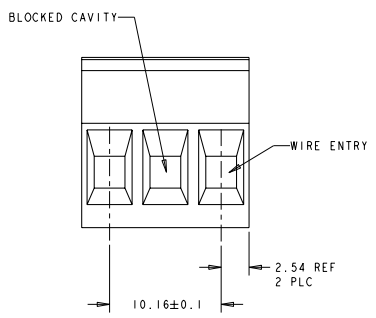
REV	DATE	BY	APPV
E1	19MAR2011	AK	HMA



282809-3 AS SHOWN



DETAIL M



- MATERIALS AND FINISH:
HOUSING: PA 6-6, UL 94-V0, COLOR: SEE TABLE.
CLAMP: BRASS, NICKEL PLATED.
CONTACT SPRING: PHOSPHOR BRONZE, TIN PLATED.
CLAMPING SCREW: M3, BRASS, NICKEL PLATED.
 - WIRE SIZE RANGE: 12-30 AWG.
 - RECOGNIZED UNDER THE COMPONENT PROGRAM OF UNDERWRITERS LABORATORIES INC. FILE N° E60677.
 - IMO CERTIFICATE WITH SURVEILLANCE IN CONFORMITY WITH IEC 998-1/998-2-1.
- INK MARKING, WHITE COLOR.

DETAIL M	BLACK	35.56	4	I-282809-5
DETAIL M	GREEN	35.56	4	I-282809-4
-	GREEN	127.00	13	I-282809-3
-	GREEN	116.84	12	I-282809-2
-	GREEN	106.68	11	I-282809-1
-	GREEN	96.52	10	I-282809-0
-	GREEN	86.36	9	282809-9
-	GREEN	75.20	8	282809-8
-	GREEN	66.04	7	282809-7
-	GREEN	55.88	6	282809-6
-	GREEN	45.72	5	282809-5
-	GREEN	35.56	4	282809-4
-	GREEN	25.40	3	282809-3
-	GREEN	15.24	2	282809-2

MARKING	HOUSING COLOR	L	NO OF POSN	PART NUMBER
		L		

THIS DRAWING IS A CONTROLLED DOCUMENT. DWG: 23JUL2001
 E. ZANOLINI
 D. BIEVENOUR
 D. BIEVENOUR
 23JUL2001

TE Connectivity

TERMINAL BLOCK, PLUG,
 10.16mm PITCH

SCALE: 4:1 SHEET 1 OF 1 REV E1