

4

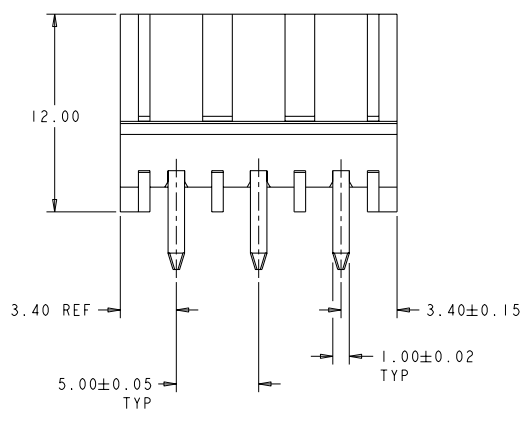
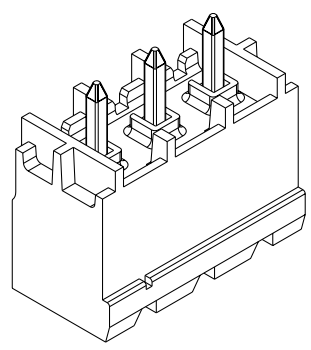
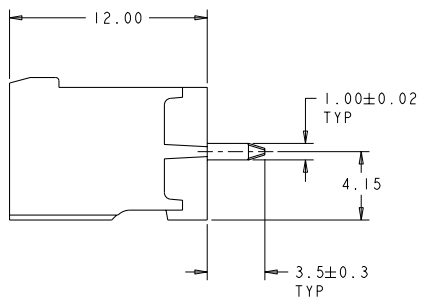
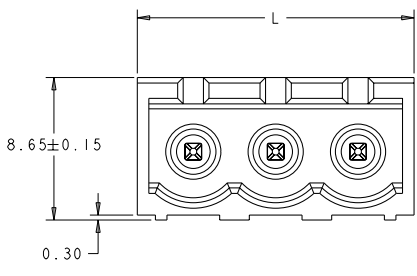
3

2

1

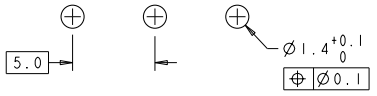
THIS DRAWING IS UNPUBLISHED. RELEASED FOR PUBLICATION BY TYCO ELECTRONICS CORPORATION. ALL RIGHTS RESERVED. COPYRIGHT 20

REV	DATE	BY	CHKD	APPROV
0	07JUN2005	SW	CR	
A	12MAR2007	SW	CR	



- △ MATERIALS AND FINISH:
 HOUSING: HIGH TEMPERATURE POLYAMIDE, UL 94V-0 RATED,
 COLOR: BLACK.
 TERMINAL: PHOSPHOR BRONZE, TIN PLATED.
- SUITABLE FOR 1,6-2, 4mm PC BOARD THICKNESS.
 - RECOGNIZED UNDER THE COMPONENT PROGRAM OF UNDERWRITERS LABORATORIES INC. FILE N° E60677.
 - IMQ CERTIFICATE WITH SURVEILLANCE IN CONFORMITY WITH IEC 998-1/998-2-1.1
 - UL RATING 300V, 15A.

61.8	12	1-1776146-2
56.8	11	1-1776146-1
51.8	10	1-1776146-0
46.8	9	1776146-9
41.8	8	1776146-8
36.8	7	1776146-7
31.8	6	1776146-6
26.8	5	1776146-5
21.8	4	1776146-4
16.8	3	1776146-3
11.8	2	1776146-2
L	NO OF POSN	PART NUMBER



RECOMMENDED PC BOARD LAYOUT

DIMENSIONS: mm 0 PLC ±0.3 1 PLC ±0.25 2 PLC ±0.25 3 PLC ±0.25 4 PLC ±0.25 ANGLES ±0.1 FINISH △	DATE: 06JUN2005 S. WELDON C. RICHARD C. RICHARD PRODUCT SPEC APPLICATION SPEC WEIGHT MATERIAL △	DATE: 06JUN2005 C. RICHARD NAME: BUCHANAN Tyco Electronics Harrisburg, PA 17105-3608 TERMINAL BLOCK HEADER ASSEMBLY 80 DEGREE, CLOSED ENDS, 5.00mm PITCH 5.00mm PITCH SHEET CASE CODE: A2 DRAWING NO: 00779 SCALE: 4:1 SHEET 1 OF 1 REV A
--	--	---