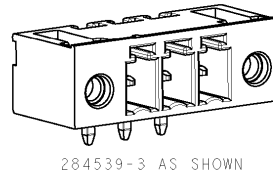
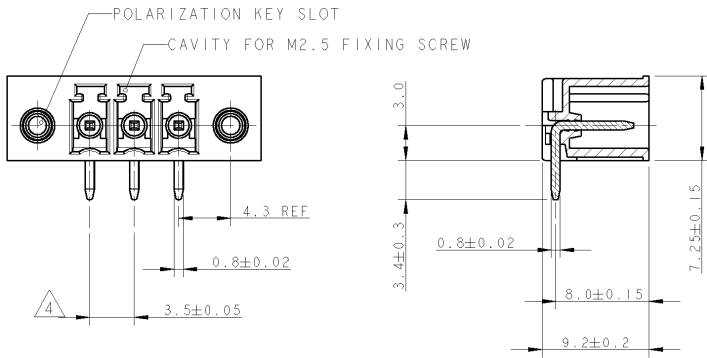
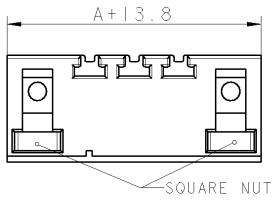


THIS DRAWING IS UNPUBLISHED. RELEASED FOR PUBLICATION
 © COPYRIGHT BY ALL RIGHTS RESERVED.

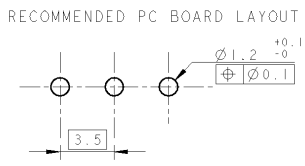
LOC	DIST	REVISIONS			
P	LTR	DESCRIPTION	DATE	DWN	APVD
B1		REVISED PER ECO-11-005294	28APR11	RK	HMR



DIM A	NO OF POS	PART NUMBER
77.0	23	2-284539-3
73.5	22	2-284539-2
70.0	21	2-284539-1
66.5	20	2-284539-0
63.0	19	1-284539-9
59.5	18	1-284539-8
56.0	17	1-284539-7
52.5	16	1-284539-6
49.0	15	1-284539-5
45.5	14	1-284539-4
42.0	13	1-284539-3
38.5	12	1-284539-2
35.0	11	1-284539-1
31.5	10	1-284539-0
28.0	9	284539-9
24.5	8	284539-8
21.0	7	284539-7
17.5	6	284539-6
14.0	5	284539-5
10.5	4	284539-4
7.0	3	284539-3
3.5	2	284539-2



- 1 MATERIALS AND FINISH
 HOUSING : PA 6.6, UL 94-V0, COLOR GREEN
 TERMINAL : PHOSPHOR BRONZE, TIN PLATED
- 2 CONNECTOR ASSEMBLY INCLUDED 2 SQUARE NUTS
 LOADED IN CAVITY
- 3 SUITABLE FOR 1.6-2.4 mm. PC BOARD THICKNESS
- 4 NOT CUMULATIVE TOLERANCE



DIMENSIONS: mm		TOLERANCES UNLESS OTHERWISE SPECIFIED: 0. PLC ±.3 1. PLC ±.3 2. PLC ±.25 3. PLC ±.3 4. PLC ±.3 ANGLES ±2		DWN 07FEB2002 E. ZANOLINI CHK E. ZANOLINI 07FEB2002 APVD D. BIEVENOUR 07FEB2002		STE TE Connectivity	
		MATERIAL		FINISH		NAME TERMINAL BLOCK, HEADER ASSEMBLY 90°, 3.5mm PITCH WITH THREADED FLANGE	
PRODUCT SPEC 108-20166		APPLICATION SPEC 114-20079		SIZE A3		CAGE CODE 00779	
DRAWING NO C-284539		RESTRICTED TO -		SCALE 3:1		SHEET OF 1	
CUSTOMER DRAWING		REV B1					