

4

3

2

1

THIS DRAWING IS UNPUBLISHED.

RELEASED FOR PUBLICATION

20

© COPYRIGHT 20 BY -

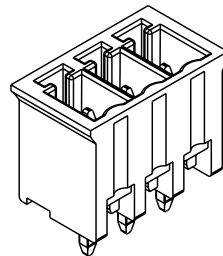
ALL RIGHTS RESERVED.

LOC FT 0

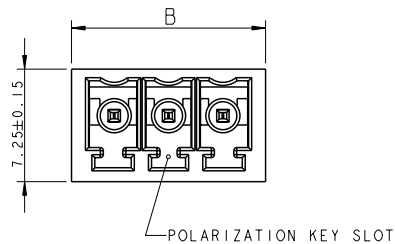
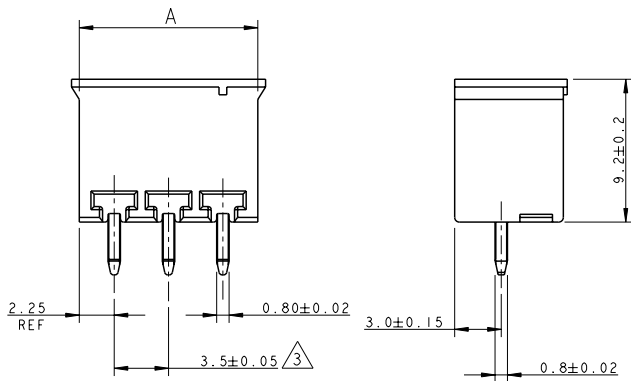
DIST 0

REVISIONS

P	LTR	DESCRIPTION	DATE	DWN	APVD
C3		REVISED PER ECO-11-005027	15MAR2011	RK	HMR

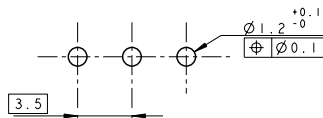


284514-3 AS SHOWN



- 1 MATERIALS AND FINISH
HOUSING : PA 6.6, UL 94-V0, COLOR GREEN
TERMINAL : PHOSPHOR BRONZE, SEE TABLE
- 2 SUITABLE FOR 1.6-2.4 mm. PC BOARD THICKNESS
- 3 NOT CUMULATIVE TOLERANCE
- 4 PRELIMINARY PART NUMBER

4	AU FL	26.5	25.5	7	2-284514-6
	TIN	89.5	88.5	25	2-284514-5
	TIN	86.0	85.0	24	2-284514-4
	TIN	82.5	81.5	23	2-284514-3
	TIN	79.0	78.0	22	2-284514-2
	TIN	75.5	74.5	21	2-284514-1
	TIN	72.0	71.0	20	2-284514-0
	TIN	68.5	67.5	19	1-284514-9
	TIN	65.0	64.0	18	1-284514-8
	TIN	61.5	60.5	17	1-284514-7
	TIN	58.0	57.0	16	1-284514-6
	TIN	54.5	53.5	15	1-284514-5
	TIN	51.0	50.0	14	1-284514-4
	TIN	47.5	46.5	13	1-284514-3
	TIN	44.0	43.0	12	1-284514-2
	TIN	40.5	39.5	11	1-284514-1
	TIN	37.0	36.0	10	1-284514-0
	TIN	33.5	32.5	9	284514-9
	TIN	30.0	29.0	8	284514-8
	TIN	26.5	25.5	7	284514-7
	TIN	23.0	22.0	6	284514-6
	TIN	19.5	18.5	5	284514-5
	TIN	16.0	15.0	4	284514-4
	TIN	12.5	11.5	3	284514-3
	TIN	9.0	8.0	2	284514-2
PLATING	B	A	NO OF POSN	PART NUMBER	



RECOMMENDED PC BOARD LAYOUT

THIS DRAWING IS A CONTROLLED DOCUMENT.

DIMENSIONS:	TOLERANCES UNLESS OTHERWISE SPECIFIED:
mm	
0 PLC	±
1 PLC	±.3
2 PLC	±.25
3 PLC	±
4 PLC	±
ANGLES	±2

MATERIAL	FINISH
1	1

OWN	06FEB2002
CHK	E. ZANOLINI
APVD	06FEB2002
	D. BIEVENOUR
PRODUCT SPEC	108-20166
APPLICATION SPEC	114-20079
WEIGHT	-
CUSTOMER DRAWING	

TE Connectivity			
NAME: TERMINAL BLOCK, HEADER ASSEMBLY STRAIGHT, CLOSED ENDS 3.5mm PITCH			
SIZE	CAGE CODE	DRAWING NO	RESTRICTED TO
A3	00779	C-284514	-
SCALE: 4:1		SHEET 1 OF 1	REV C3