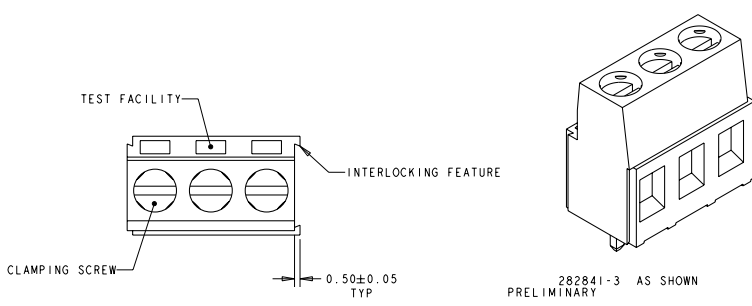
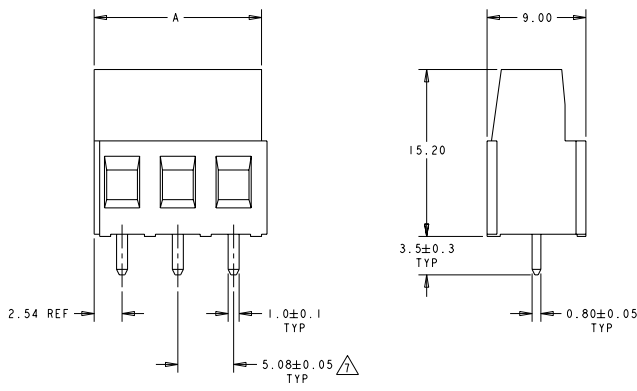


LOC		DIST		REVISIONS			
P	LY	DESCRIPTION	DATE	BY	CHK	APPR	
H6		REVISED PER ECO-11-005027	10MAR2011	AK	HMA		



282841-3 AS SHOWN PRELIMINARY



RECOMMENDED PC BOARD LAYOUT SCALE 5:1

DETAIL	DESCRIPTION	SEE SHEET	COLOR	15.24	3	4-282841-0
PRELIMINARY		SEE SHEET 2	GREEN	15.24	3	4-282841-0
DETAIL C	PRELIMINARY	-	GREEN	25.40	5	3-282841-9
DETAIL B	PRELIMINARY	-	GREEN	20.32	4	3-282841-8
PRELIMINARY	STAINLESS STEEL	-	GREEN	40.64	8	3-282841-7
PRELIMINARY	STAINLESS STEEL	-	GREEN	20.32	4	3-282841-6
PRELIMINARY	STAINLESS STEEL	-	GREEN	15.24	3	3-282841-5
PRELIMINARY	STAINLESS STEEL	-	GREEN	10.16	2	3-282841-4
		SEE SHEET 2	GREEN	45.72	9	3-282841-3
		SEE SHEET 2	GREEN	66.04	13	3-282841-2
		SEE SHEET 2	GREEN	20.32	4	3-282841-1
		SEE SHEET 2	GREEN	60.96	12	3-282841-0
		-	BLACK	127.0	25	2-282841-9
		-	GREEN	127.0	25	2-282841-8
		-	GREEN	121.92	24	2-282841-7
		-	GREEN	116.84	23	2-282841-6
		-	GREEN	111.76	22	2-282841-5
		-	GREEN	106.68	21	2-282841-4
		-	GREEN	101.60	20	2-282841-3
		-	GREEN	96.52	19	2-282841-2
		-	GREEN	91.44	18	2-282841-1
		-	GREEN	86.36	17	2-282841-0
		-	GREEN	81.28	16	1-282841-9
		-	GREEN	76.20	15	1-282841-8
		-	GREEN	71.12	14	1-282841-7
		-	GREEN	66.04	13	1-282841-6
		SEE SHEET 2	GREEN	40.64	8	1-282841-5
		SEE SHEET 2	GREEN	35.56	7	1-282841-4
		-	BLACK	35.56	7	1-282841-3
		-	GREEN	60.96	12	1-282841-2
		-	GREEN	55.88	11	1-282841-1
		-	GREEN	50.80	10	1-282841-0
		-	GREEN	45.72	9	282841-9
		-	GREEN	40.64	8	282841-8
		-	GREEN	35.56	7	282841-7
		-	GREEN	30.48	6	282841-6
		-	GREEN	25.40	5	282841-5
		-	GREEN	20.32	4	282841-4
		-	GREEN	15.24	3	282841-3
		-	GREEN	10.16	2	282841-2

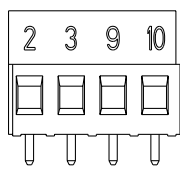
THIS DRAWING IS A CONTROLLED DOCUMENT. DWG S. WELDON 28JAN2001  
 CD D. BLEVENOUR 28JAN2001  
 APP'D D. BLEVENOUR 28JAN2001

**TE** TE Connectivity

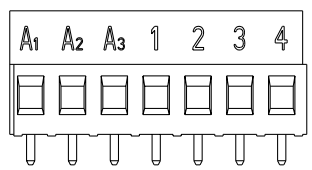
TERMINAL BLOCK  
 PCB MOUNT  
 W/INTERLOCK, 5.08mm PITCH

SHEET CASE CODE DRAWING NO. RESTRICTED TO  
 A200779 ©-282841 4:1 SHEET 1 OF 2 REV H6

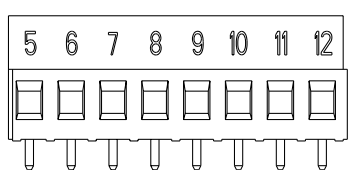
LOC		DIST		REVISIONS			
P	LYN	DESCRIPTION	DATE	BY	APVS		
-	-	SEE SHEET 1	-	-	-		



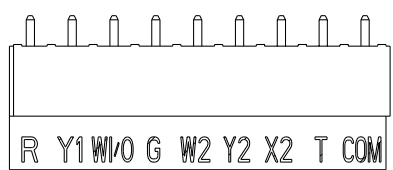
3-282841-1 AS SHOWN



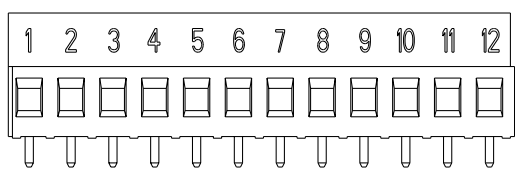
1-282841-4 AS SHOWN



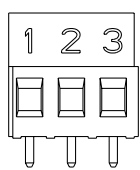
1-282841-5 AS SHOWN



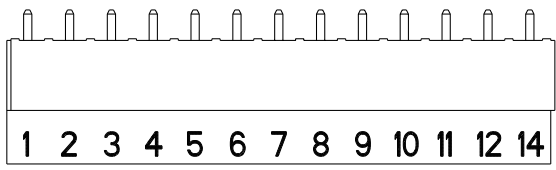
3-282841-3 AS SHOWN



3-282841-0 AS SHOWN

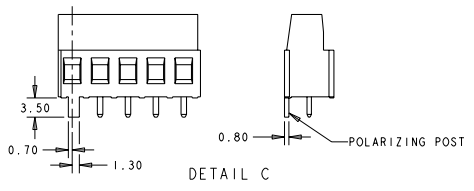
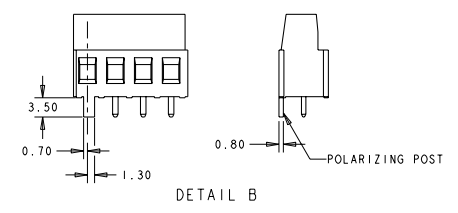


4-282841-0 AS SHOWN



3-282841-2 AS SHOWN

- MATERIALS AND FINISH:  
 HOUSING: PA 6-6, UL 94-V0, COLOR: SEE TABLE.  
 CLAMP: BRASS, NICKEL PLATED.  
 TERMINAL: BRASS, TIN PLATED.  
 CLAMPING SCREW: M3, BRASS, NICKEL PLATED.
- SUITABLE FOR 1,6-2,4mm. PCB THICKNESS.
  - END-TO-END STACKABLE W/INTERLOCK WITHOUT LOSS OF CENTERLINE SPACING.
  - WIRE SIZE RANGE: 12-30 AWG
  - RECOGNIZED UNDER THE COMPONENT PROGRAM OF UNDERWRITERS LABORATORIES INC. FILE No E60677.
  - IMO CERTIFICATE WITH SURVEILLANCE IN CONFORMITY WITH IEC 998-1/998-2-1.
  - NOT CUMULATIVE TOLERANCE.
  - INK MARKING : BLACK COLOR.
  - BUCHANAN LOGO TO APPEAR ON HOUSING, LOCATION OPTIONAL, WHERE SPACE PERMITS.



THIS DRAWING IS A CONTROLLED DOCUMENT.		OWN	28JAN2001	TE Connectivity
DIMENSIONS:		CD	S. WELDON 28JAN2001	
mm		CD	D. BLEVENOUR 28JAN2001	
TO DRAWING SPECIFICATIONS:		APPRO	D. BLEVENOUR 28JAN2001	
0 PLC	#0	PRODUCT SPEC	NAME	TERMINAL BLOCK
1 PLC	#.3	APPLICATION SPEC	SHEET	PCB MOUNT
2 PLC	#.25	WEIGHT	CASE CODE	W/INTERLOCK, 5.08mm PITCH
3 PLC	#0	CUSTOMER DRAWING	DRAWING NO	RESTRICTED TO
4 PLC	#0		A200779	
ANGLES	#2°		C=282841	
MATERIAL	-		SCALE	3:1
			SHEET	2 OF 2
			REV	H6