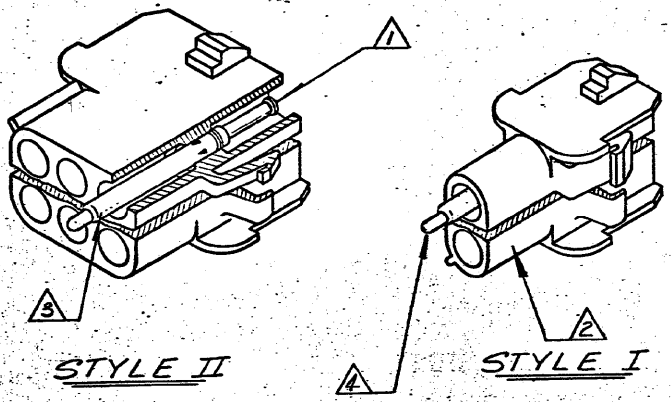


4 DRAWING MADE IN THIRD ANGLE PROJECTION

© COPYRIGHT

1 LOC CM DIST 53

REVISIONS					
NO.	ZONE	LTR	DESCRIPTION	DATE	APPROVED
1	A3		REVISED PER ECO-11-005140		SIMAR11 HMR



- 1 SPRING LOADED TEST PROBE
- 2 CAP HOUSING - FLAME RETARDANT NYLON (94V0 RATING), FINISH-NATURAL
- 3 TEST PROBE RECEPTACLE MATERIAL-BRASS, FINISH- PRE-TIN
- 4 ACCEPTS UNIVERSAL MATE-N-LOK SOCKETS.
- 5 OBSOLETE PARTS: OBSOLETE CIS STREAMLINING PER D.RENAUD/D.SINISI

	STYLE	NO. OF CIRCUITS	PART NO
OBSOLETE	II	15	1350849-6
	II	12	1350849-2
	II	9	350849-9
	II	6	350849-6
	I	5	350849-5
OBSOLETE	I	4	550849-4
	I	3	350849-3
	I	2	350849-2

UNLESS OTHERWISE SPECIFIED DIMENSIONS ARE IN INCHES. TOLERANCES ON: DECIMALS ± ANGLES ±	CONTRACT NO	<b>STE</b> TE Connectivity	
	DR <i>B.C. WINGARD</i>		
MATERIAL	CHK <i>2/12/75</i>	NAME <b>UNIVERSAL MATE-N-LOK CAP TEST ASSEMBLY</b>	
FINISH	APPD <i>R.P. Frank 8/28/75</i>	SIZE <b>B</b>	CODE IDENT NO <b>00779</b>
	OTHER APPD	DRAWING NO <b>350849</b>	SHEET

CUSTOMER DRAWING