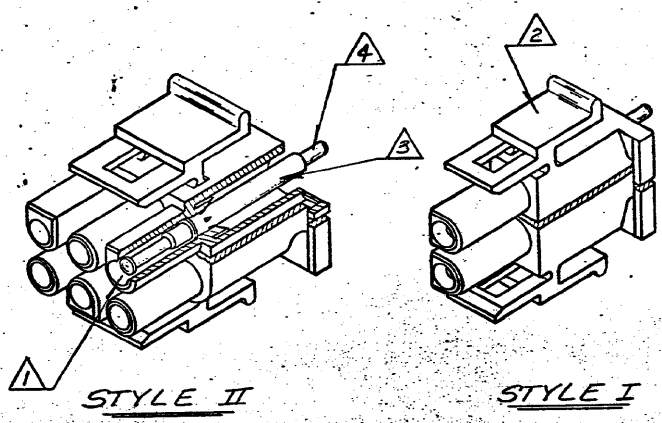


45 DRAWING MADE IN THIRD ANGLE PROJECTION

© COPYRIGHT

ZONE		LTR	DESCRIPTION	DATE	APPROVED
	A2		REVISED PER ECO-11-005294	05APR11	HMR



- 1 SPRING LOADED TEST PROBE
- 2 PLUG HOUSING - FLAME RETARDANT NYLON (94V-0 RATING), FINISH - NATURAL
- 3 TEST PROBE RECEPTACLE. MATERIAL - BRASS, FINISH - PRE-TIN
- 4 ACCEPTS UNIVERSAL MATE-N-LOK SOCKETS.

STYLE	NO. OF CIRCUITS	PART NO
II	15	1350848-5
II	12	1350848-2
II	9	350848-9
II	6	350848-6
I	5	350848-5
I	4	350848-4
I	3	350848-3
I	2	350848-2

UNLESS OTHERWISE SPECIFIED DIMENSIONS ARE IN INCHES. TOLERANCES ON: DECIMALS ± ANGLES ±		CONTRACT NO		TE Connectivity	
MATERIAL		DR <i>B.C. WINGARD 8-18-75</i>			
FINISH		CHKD <i>8-18-75</i>		NAME UNIVERSAL MATE-N-LOK PLUG TEST ASSEMBLY	
OTHER APPD		APPRD <i>R.P. M... 8/18/75</i>		SIZE B CODE IDENT NO 00779 DRAWING NO 350848	
		OSGN APPD		SCALE SHEET	

CUSTOMER DRAWING