

4

3

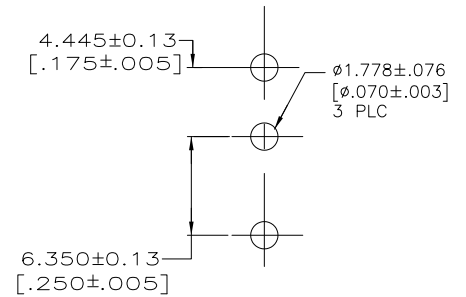
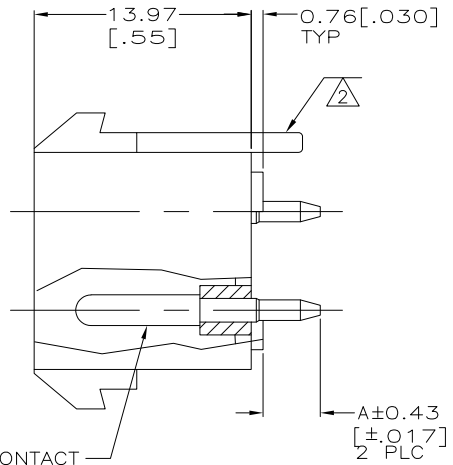
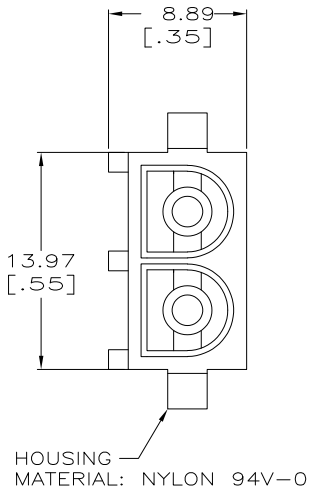
2

1

THIS DRAWING IS UNPUBLISHED. RELEASED FOR PUBLICATION
 © COPYRIGHT - By - ALL RIGHTS RESERVED.

LOC	DIST	REVISIONS			
P	LTR	DESCRIPTION	DATE	DWN	APVD
FT	0				
H3		REVISED PER ECO-11-004917	11MAR11	RK	HMR

- 1 PRELIMINARY PART NUMBER.
- 2 NO LOCATION TAB.



2	3.68 [.145]	194009-4
1	3.68 [.145]	194009-3
1	7.62 [.300]	194009-2
	3.68 [.145]	194009-1
	DIM A	PART NUMBER

THIS DRAWING IS A CONTROLLED DOCUMENT.		DWN R.N. POLK 03NOV94	TE Connectivity	
DIMENSIONS: mm		CHK G.STEINHAUER 03NOV94	APVD G.STEINHAUER 03NOV94	
TOLERANCES UNLESS OTHERWISE SPECIFIED:		NAME	HIGH CURRENT VERT. PIN HEADER ASSY, MATE-N-LOK 11, 2 CIRCUIT	
0 PLC ± -	1 PLC ± -	PRODUCT SPEC	-	
2 PLC ± 0.25[.01]	3 PLC ± -	APPLICATION SPEC	-	
4 PLC ± -	ANGLES ± -	WEIGHT	-	
MATERIAL	FINISH	SIZE A3	CAGE CODE 00779	DRAWING NO C=194009
-		CUSTOMER DRAWING		RESTRICTED TO -
		SCALE 4:1	SHEET 1 OF 1	REV H3