

4

3

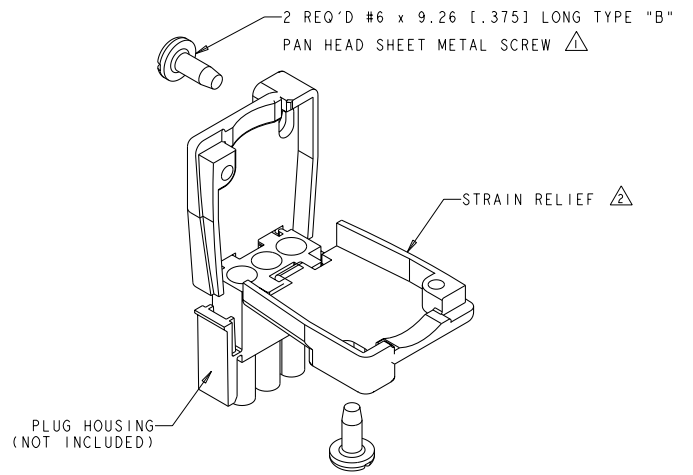
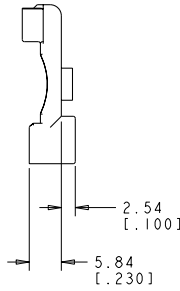
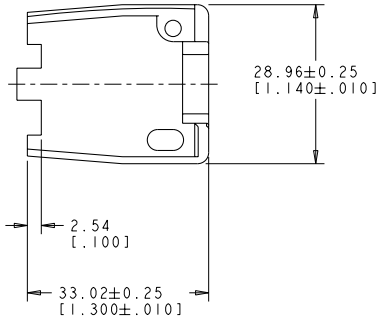
2

1

THIS DRAWING IS UNPUBLISHED. RELEASED FOR PUBLICATION BY TYCO ELECTRONICS CORPORATION. ALL RIGHTS RESERVED. COPYRIGHT 20

REV	DATE	BY	APPD
C	22-MAY-02	KW	SR
D	30-MAY-05	KW	SR
D1	14-MAR-2007	KW	DC

- △ SHEET METAL SCREWS NOT SUPPLIED.
- △ TWO REQUIRED PER CONNECTOR.
- 4. DESIGNED TO ACCEPT CABLE WITH 5.08 - 8.89 [.200 - .350] OUTSIDE DIAMETER.



GRAY	641763-8	△
BLACK	641763-2	△
NATURAL	641763-1	△
COLOR	PART NUMBER	

METRIC

DIMENSIONS: mm (INCHES)	TO BE MADE TO ORDER OPERATING SPECIFICATIONS: 0 PLC ± .01 1 PLC ± .01 2 PLC ± .01 3 PLC ± .01 4 PLC ± .01 ANGLES ± .1 FINISH	DWN BY WHILLACKY CHK BY BRIDGLI APPD BY BRIDGLI DATE 22MAY2002 DATE 22MAY2002 DATE 22MAY2002 PRODUCT SPEC APPLICATION SPEC WEIGHT CUSTOMER DRAWING	STRAIN RELIEF, UNIVERSAL MATE-N-LOK (TM) 3 CIRCUIT SHEET CASE CODE DRAWING NO A2 00779 641763 SCALE 2:1 SHEET 1 OF 1 REV D1	Tyco Electronics Harrisburg, PA 17105-3608	RESTRICTED TO
------------------------------	--	---	--	---	---------------