

DRAWING MADE IN THIRD ANGLE PROJECTION

© COPYRIGHT 1980 BY AMP INCORPORATED, HARRISBURG, PA. ALL INTERNATIONAL RIGHTS RESERVED. AMP INCORPORATED PRODUCTS COVERED BY U. S. AND FOREIGN PATENTS AND/OR PATENTS PENDING.

LOC *CM* DIST 53

REVISIONS						
P	F	ZONE	LTR	DESCRIPTION	DATE	APPROVED
		H		REV PER EC 0730-0201-94	4/26/95	JH / BS

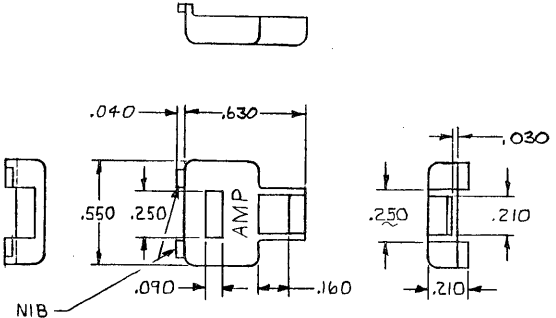


FIGURE 1

FOR USE WITH 3,4,9, 12 AND 15 CIRCUIT CAP HOUSINGS AND APPROPRIATE STRAIN RELIEF (ENCLOSED VERSION). ADAPTER ATTACHES TO CAP HOUSING AS SHOWN PROVIDING FEATURE TO ATTACH STRAIN RELIEF.

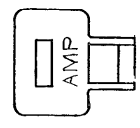
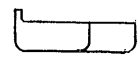
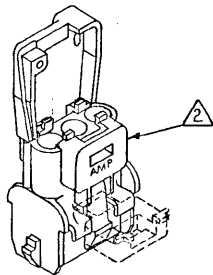


FIGURE 2

FOR ASSY. MODULE	FIGURE 2 (WITHOUT NIBS)	641778-2
FOR STRAIN RELIEF	FIGURE 1 (WITH NIBS)	641778-1
USAGE	ADAPTER STYLE	PART NO

UNLESS OTHERWISE SPECIFIED DIMENSIONS ARE IN INCHES. TOLERANCES ON: DECIMALS ±.015 ANGLES ±	CONTRACT NO	AMP AMP INCORPORATED Harrisburg, Pa.	
	DR <i>m. FEHER 12-18-80</i>	NAME ADAPTER, CAP HOUSING, UNIVERSAL MATE-N-LOK	
	CHK <i>J.S. Healy 12/29/80</i>	SIZE B	CODE IDENT NO 00779
	MATERIAL NYLON 94V-0	APPD <i>R. J. ... 12-23-80</i>	DRAWING NO 641778
	DSGN APPD	SCALE 2-1	SHEET
	OTHER APPD		

AMP 1470-15 REV 8-79

CUSTOMER DRAWING