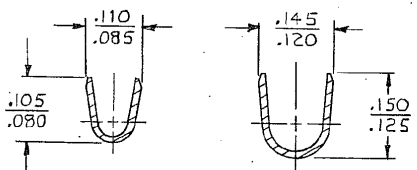
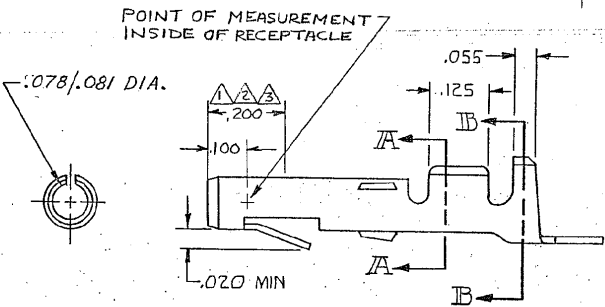
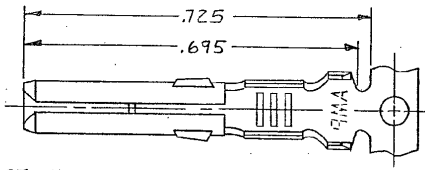


DRAWING MADE IN THIRD ANGLE PROJECTION

© COPYRIGHT BY

REVISIONS					
P	ZONE	LTR	DESCRIPTION	DATE	APPROVED
	AB1		REVISED PER ECO-11-005294	SAPR11	HMR



SECTION A-A SECTION B-B

- ▲ NICKEL ON ENTIRE TERMINAL WITH .000030 GOLD OVER INSIDE OF MATING AREA AND WIRE BARREL.
- ▲ GOLD FLASH OVER NICKEL ON ENTIRE TERMINAL WITH .000030 GOLD OVER MATING AREA.
- ▲ NICKEL ON ENTIRE TERMINAL WITH .000030 GOLD OVER INSIDE OF MATING AREA.

APPLICATOR TYPE	FINISH	MATERIAL	PART NO
MINI	GOLD	.012 BRASS	61314-7
	GOLD	PH. BRZ.	-6
	GOLD	BRASS	-5
	PRE-TIN	PH. BRZ.	-4
		PH. BRZ.	-3
		BRASS	-2
MINI	PRE-TIN	.012 BRASS	61314-1

UNLESS OTHERWISE SPECIFIED DIMENSIONS ARE IN INCHES. TOLERANCES ON: DECIMALS ±.015 ANGLES ±.015	CONTRACT NO
MATERIAL	DR M. FEHER 11-30-79
SEE TABLE	CHK S. Heide 12/1/79
FINISH	APPROD R. Polachuk 12/12/79
SEE TABLE	APPD
	WIRE RANGE 24-18 AWG.
	INSULATION DIA 100 MAX

STE TE Connectivity	
NAME SOCKET, COMMERCIAL MATE-N-LOK™	
SIZE B	CODE IDENT NO 00779
SCALE 5-1	DRAWING NO 61314
SHEET 1 OF 1	

CUSTOMER DRAWING