

4

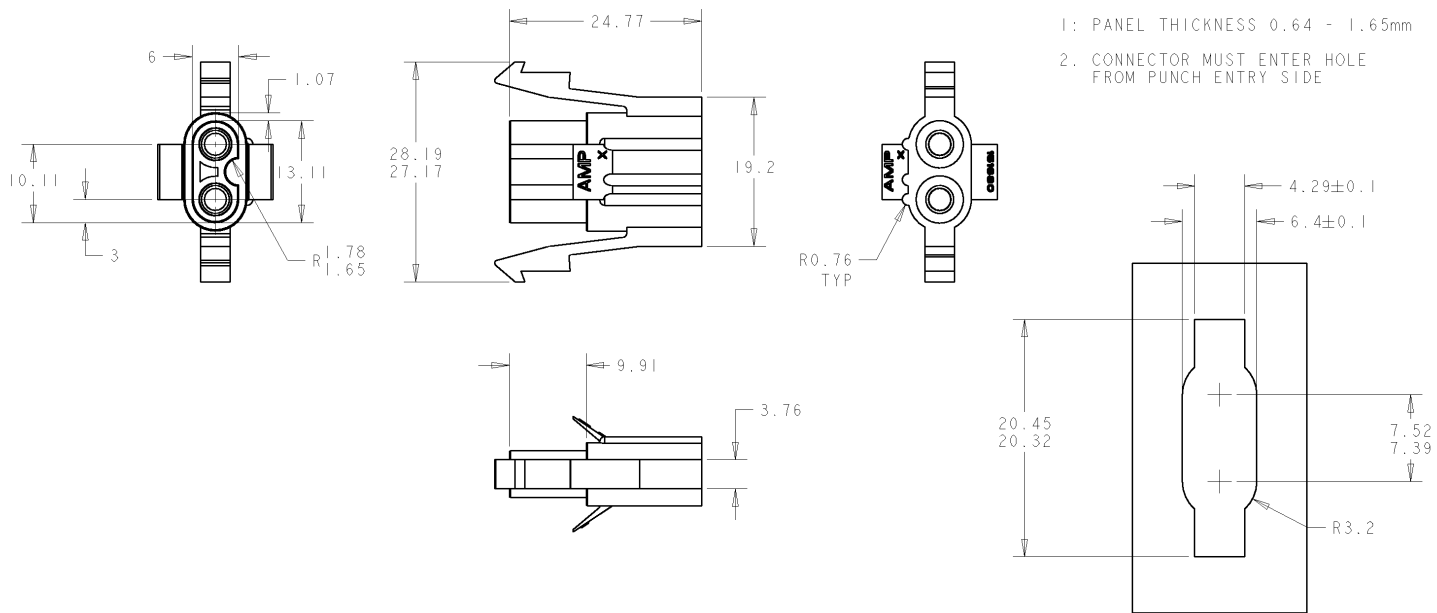
3

2

1

THIS DRAWING IS UNPUBLISHED. RELEASED FOR PUBLICATION 20  
 © COPYRIGHT 20 BY TYCO ELECTRONICS CORPORATION. ALL RIGHTS RESERVED.

LOC	DIST	REVISIONS				
P	LTR	DESCRIPTION	DATE	DWN	APVD	
P		ECR-06-000059	03JAN2006	MJG	JA	
P1		ECR-10-000004	22MAR10	RK	SRE	



NOTES:  
 1. PANEL THICKNESS 0.64 - 1.65mm  
 2. CONNECTOR MUST ENTER HOLE FROM PUNCH ENTRY SIDE

PANEL CUT-OUT

NYLON 66 (V0)	NATURAL	2-151680-0	
NYLON 66	BLACK	<del>151680-9</del>	OBSOLETE
NYLON 66	GREY	151680-8	
NYLON 66	VIOLET	151680-7	
NYLON 66	GREEN	<del>151680-5</del>	OBSOLETE
NYLON 66	YELLOW	151680-4	
NYLON 66	ORANGE	151680-3	
NYLON 66	BROWN	151680-1	
NYLON 66	NATURAL	151680-0	
MATERIAL	COLOUR	PART NO	

<small>THIS DRAWING IS A CONTROLLED DOCUMENT FOR TYCO ELECTRONICS CORPORATION          IT IS SUBJECT TO CHANGE AND THE CONTROLLING ENGINEERING DEPARTMENT          SHOULD BE CONTACTED FOR THE LATEST REVISION.</small>		DWN 03/01/06 M. GREENER CHK 03/01/06 J. AMBROSE APVD 03/01/06 E. WHEELER-KING	Tyco Electronics Bideford, Devon EX39 4HA
DIMENSIONS: mm 		NAME 2 WAY 'MATE-N-LOK' SOCKET HOUSING PRODUCT SPEC - APPLICATION SPEC - WEIGHT -	
TOLERANCES UNLESS OTHERWISE SPECIFIED: 0 PLC ±0.5 1 PLC ±0.5 2 PLC ±0.5 3 PLC ±0.5 4 PLC ±0.5 ANGLES ±1		SIZE A3 CAGE CODE 00779 DRAWING NO C-151680	RESTRICTED TO - SCALE 2:1 SHEET 1 OF 1 REV P1
MATERIAL SEE TABLE FINISH -		CUSTOMER DRAWING	

AMP 1470-19 REV 21MAR2000  
 P1: J ENGINEER DRAWING