

4

3

2

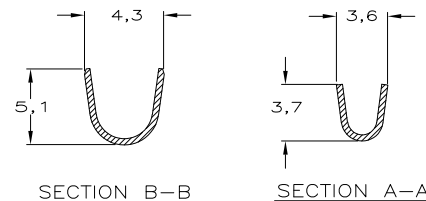
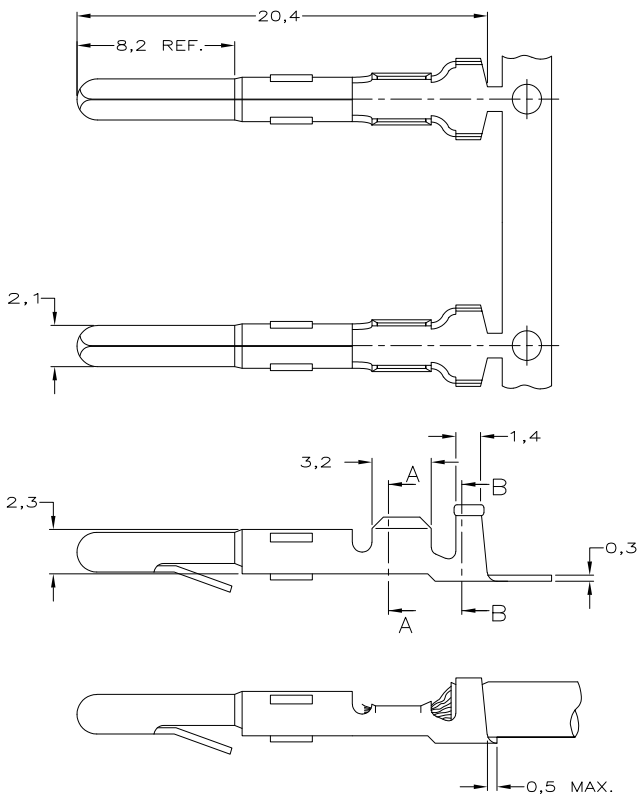
1

THIS DRAWING IS UNPUBLISHED. RELEASED FOR PUBLICATION
 © COPYRIGHT - By - ALL RIGHTS RESERVED.

LOC	DIST	REVISIONS			
P	LTR	DESCRIPTION	DATE	DWN	APVD
E		EH-1221-96	24-10-96	JvL	AB
F		EH-0653-97	05SEP97	D.K.	A.B.
F1		ECR-10-022530	11JAN11	KK	HMR

NOTES:

- △ FOR USE ON STANDARD APPLICATORS.(RIGHT-LEFT FEED)
- △ FOR USE ON MINIATURE APPLICATORS.(LEFT-RIGHT FEED)



WIRE RANGE :
 1,0-2,5mm² AWG
 INSULATION RANGE :
 2,6-3,8mm DIA.

	△	GOLD	BRASS 1-163303-0
	△	GOLD	PHOSPHOR BR. 163303-9
	△	PRE-TINPLATED	PHOSPHOR BR. 163303-8
OBSOLETE	△	UNPLATED	PHOSPHOR BR. -163303-7
	△	PRE-TINPLATED	BRASS 163303-6
OBSOLETE	△	UNPLATED	BRASS -163303-5
	△	PRE-TINPLATED	PHOSPHOR BR. 163303-4
	△	UNPLATED	PHOSPHOR BR. 163303-3
	△	PRE-TINPLATED	BRASS 163303-2
	△	UNPLATED	BRASS 163303-1
PLATING		PLATING	MATERIAL PARTNUMBER

THIS DRAWING IS A CONTROLLED DOCUMENT. DWN J.V. LIEMPT 24 OCT 96
 CHK A. BIJNEN.
 APVD M.V. DRIFL
 PRODUCT SPEC

STE TE Connectivity
 PIN MATE-N-LOK.

DIMENSIONS: INCHES	TOLERANCES UNLESS OTHERWISE SPECIFIED:	SIZE	CAGE CODE	DRAWING NO	RESTRICTED TO
0 PLC ± -	1 PLC ± -	A3	00779	163303	
2 PLC ± -	3 PLC ± -				
4 PLC ± -	ANGLES ± -				
MATERIAL	FINISH	WEIGHT			

CUSTOMER DRAWING SCALE - SHEET 1 of 1 REV F1