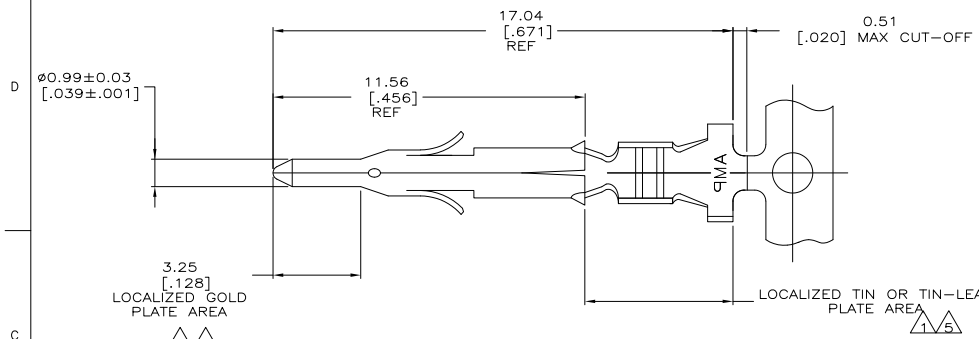
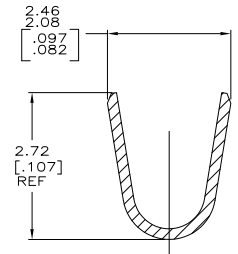
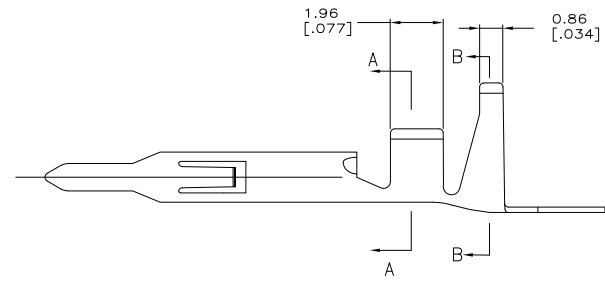


THIS DRAWING IS UNPUBLISHED. RELEASED FOR PUBLICATION  
 © copyright - by - ALL RIGHTS RESERVED.

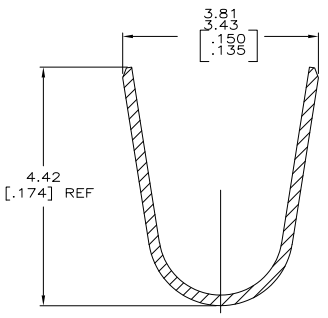
LOC	DEPT	REVISIONS			
CM	00	REV	DESCRIPTION	DATE	BY
		R1	REVISED PER ECO-11-004587	11MAR11	RK HMR



- 1 0.00076 [.000030] MIN GOLD IN LOCALIZED GOLD PLATE AREA AND 0.00254 [.000100] MIN BRIGHT TIN-LEAD IN LOCALIZED TIN-LEAD PLATE AREA OVER 0.00130 [.000050] MIN NICKEL.
- 2 WIRE RANGE: 0.3 - 0.9mm<sup>2</sup> (22-18 AWG).
- 3 INSULATION RANGE: 1.50-2.39[.059-.094] DIA.
- 4 DIMENSIONS IN BRACKETS ARE IN INCHES.
- 5 0.00076 [.000030] MIN GOLD IN LOCALIZED GOLD PLATE AREA AND 0.00254 [.000100] MIN BRIGHT TIN IN LOCALIZED TIN PLATE AREA OVER 0.00130 [.000050] MIN NICKEL.



SECTION A-A  
SCALE 20:1



SECTION B-B  
SCALE 20:1

FINISH	MATERIAL	PART NUMBER
△	0.20 [.008] PHOS BRZ	1-770903-1
△	0.20 [.008] BRASS	1-770903-0
△	0.20 [.008] PH BRZ	770903-6
△	0.20 [.008] BRASS	770903-3
PRE-TIN	0.20 [.008] BRASS	770903-1

THIS DRAWING IS A CONTROLLED DOCUMENT.

DESIGNED BY: S. HOOVER	CHECKED BY: J. JONES	DATE: 11/11/11
DRAWN BY: J. JONES	APPROVED BY: J. JONES	DATE: 11/11/11

**STE** TE Connectivity

PRODUCT SPEC: MINI UNIVERSAL MATE-N-LOK(TM)

SIZE: A2    CASE CODE: 00779    DRAWING NO: 770903

MATERIAL: -    FINISH: -    WEIGHT: -    RESTRICTED TO: -

CUSTOMER DRAWING    SCALE: 10:1    SHEET: 1 of 1    REV: R1