

4

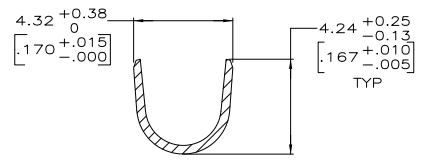
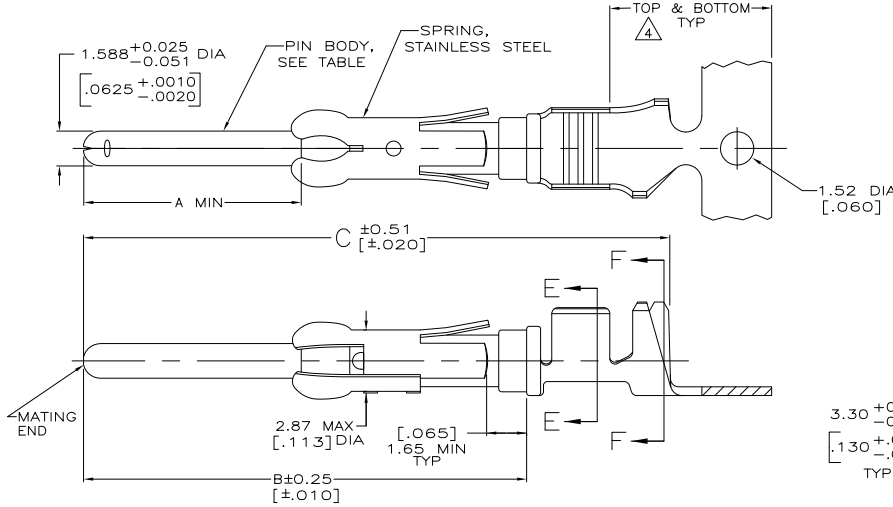
3

2

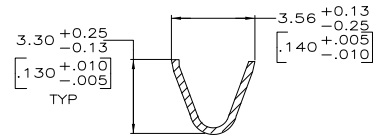
1

THIS DRAWING IS UNPUBLISHED. RELEASED FOR PUBLICATION  
 © COPYRIGHT - BY - ALL RIGHTS RESERVED.

LOC		DIST		REVISIONS			DATE	BY	APPD
P	LR	DESCRIPTION	DATE	MIN	APPD				
V1		REVISED PER ECO-11-004587	11MAR11	RK	HMR				



SECTION F-F



SECTION E-E

- 1 REELED FOR MINI-APPLICATOR.
- 2 0.76µm [.000030] MIN PRECIOUS METAL PLATE ON MATING END FOR A LENGTH OF 5.08 [.200] MIN OVER 1.27µm [.000050] MIN NICKEL PLATE. GOLD FLASH ALL OVER. CONFORMS TO THE REQUIREMENTS OF TE CONNECTIVITY PRODUCT SPEC 108-10042, BASED ON EIA/ECA-364-1000.01A ( CONTROLLED ENVIRONMENT APPLICATIONS ).
- 3 1.27µm [.000050] MIN TIN-LEAD PER MIL-T-10727 OVER 1.27µm [.000050] MIN NICKEL PER QQ-N-290.
- 4 GOLD PLATING NEED NOT APPEAR IN THIS AREA.
- 5 BRASS
- 6 PHOSPHOR BRONZE
- 7 WIRE RANGE 14-18 AWG.
- 8 INSULATION RANGE 2.79[.110]-3.81[.150] DIA.
- 9 0.38µm [.000015] MIN GOLD PER MIL-G-45204 ON MATING END FOR A LENGTH OF 5.08 [.200] MIN, 1.27µm [.000050] MIN TIN-LEAD PER MIL-T-10727 FOR A LENGTH OF 5.69 [.224] MIN ON OPPOSITE END, BOTH OVER 1.27µm [.000050] MIN NICKEL PER QQ-N-290 ON ENTIRE CONTACT.
- 10 OBSOLETE PART NUMBER.
- 11 1.27µm [.000050] MIN TIN PER MIL-T-10727 OVER 1.27µm [.000050] MIN NICKEL PER Q-N-290.
- 12 COPPER NICKEL ALLOY.
- 13 0.38µm [.000015] MIN GOLD PER MIL-G-45204 ON MATING END FOR A LENGTH OF 5.08 [.200] MIN. WITH GOLD FLASH ON THE REMAINDER, OVER 1.27µm [.000050] MIN NICKEL PER QQ-N-290.
- 14 PRELIMINARY - NOT FOR PRODUCTION.

15 OBSOLETE PARTS: OBSOLETE CIS STREAMLINING PER D.RENAUD/D.SINISI

26.75[1.053]	20.24[.797]	9.91[.390]	△	△	△	-	△	1-66597-2
26.75[1.053]	20.24[.797]	9.91[.390]	△	△	△	1-66602-0	-	1-66597-1
26.75[1.053]	20.24[.797]	9.91[.390]	△	△	△	66602-9	-	1-66597-0
26.75[1.053]	20.24[.797]	9.91[.390]	△	△	△	-	-	66597-9
26.75[1.053]	20.24[.797]	9.91[.390]	△	△	△	66602-8	-	66597-8
26.75[1.053]	20.24[.797]	9.91[.390]	△	△	△	66602-5	-	66597-7
30.43[1.198]	23.93[.942]	13.59[.535]	△	△	△	-	-	66597-6
26.75[1.053]	20.24[.797]	9.91[.390]	△	△	△	66602-4	-	66597-5
26.75[1.053]	20.24[.797]	9.91[.390]	△	△	△	66602-3	-	66597-4
26.75[1.053]	20.24[.797]	9.91[.390]	△	△	△	66602-2	-	66597-2
26.75[1.053]	20.24[.797]	9.91[.390]	△	△	△	66602-1	-	66597-1
C	B	A	REELING	PIN BODY FINISH	PIN BODY	LOOSE PIECE REF		PART NO

THIS DRAWING IS A CONTROLLED DOCUMENT. DIMENSIONS: INCHES. MATERIAL: SEE CALLOUTS. FINISH: SEE TABLE. APPLICATION SPEC: WEIGHT: CUSTOMER DRAWING. SIZE: A2. CASE CODE: 00779. DRAWING NO: 66597. SCALE: 8:1. SHEET: 1 of 1. REV: V1.

TE Connectivity  
 PIN ASSEMBLY, .062, TYPE III+

1471-9 (3/11)

66597

A

REV V1