

4

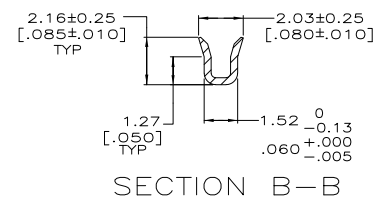
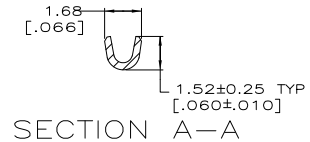
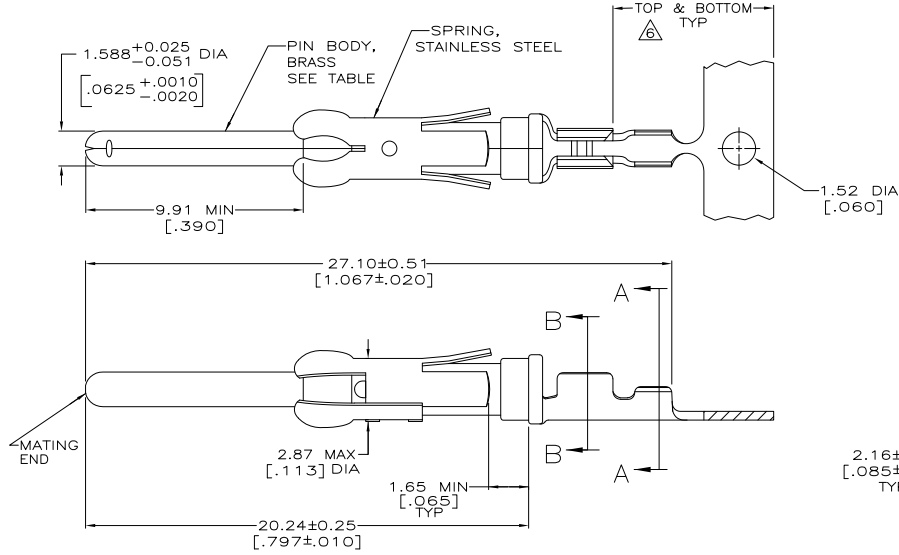
3

2

1

THIS DRAWING IS UNPUBLISHED. RELEASED FOR PUBLICATION  
 © COPYRIGHT BY TYCO ELECTRONICS CORPORATION. ALL INTERNATIONAL RIGHTS RESERVED.

LOC	DIST	REVISIONS			
P	LTR	DESCRIPTION	DATE	BY	APPD
AA	REV PER	EDR 10-012675	13SEPT10	JR	SH



- ▲ REVERSE REELED FOR MINI-APPLICATOR.
- ▲ 0.76µm [.000030] MIN PRECIOUS METAL PLATE ON MATING END FOR A LENGTH OF 5.08 [.200] MIN OVER 1.27µm [.000050] MIN NICKEL PLATE. GOLD FLASH ALL OVER. CONFORMS TO THE REQUIREMENTS OF TYCO ELECTRONICS PRODUCT SPEC 108-10042, BASED ON EIA/ECA-364-1000.01A ( CONTROLLED ENVIRONMENT APPLICATIONS ).
- ▲ 0.76µm [.000030] MIN PRECIOUS METAL PLATE ON MATING END FOR A LENGTH OF 5.08 [.200] MIN WITH A UNIFORM GRADIENT TO 0.25µm [.000010] ON REMAINDER. OVER 1.27µm [.000050] MIN NICKEL PLATE. GOLD FLASH ALL OVER. CONFORMS TO THE REQUIREMENTS OF TYCO ELECTRONICS PRODUCT SPEC 108-10042, BASED ON EIA/ECA-364-1000.01A ( CONTROLLED ENVIRONMENT APPLICATIONS ).
- ▲ 0.38µm [.000015] MIN GOLD PER MIL-G-45204 ON MATING END FOR A LENGTH OF 5.08 [.200] MIN WITH GOLD FLASH ON THE REMAINDER OVER 1.27µm [.000050] MIN NICKEL PER QQ-N-290.
- ▲ 1.27µm [.000050] MIN GOLD PER MIL-G-45204 ON MATING END FOR A LENGTH OF 5.08 [.200] MIN WITH GOLD FLASH ON THE REMAINDER OVER 1.90µm [.000075] MIN NICKEL PER QQ-N-290. GOLD PLATING NEED NOT APPEAR IN THIS AREA.
- 7. WIRE RANGE 26-30 AWG.
- 8. INSULATION RANGE 0.36[.014]-0.76[.030] DIA.
- ▲ 0.38µm [.000015] MIN GOLD PER MIL-G-45204 ON MATING END FOR A LENGTH OF 5.08 [.200] MIN, 1.27µm [.000050] MIN TIN-LEAD PER MIL-T-10727 FOR A LENGTH OF 5.69 [.224] MIN ON OPPOSITE END, BOTH OVER 1.27µm [.000050] MIN NICKEL PER QQ-N-290 ON ENTIRE CONTACT.

OBSOLETE	▲	▲	-	1-66393-3
OBSOLETE	▲	▲	-	1-66393-1
	▲	▲	66406-4	66393-8
	▲	▲	-	66393-7
OBSOLETE	▲	▲	66406-1	66393-5
	▲	▲	66406-4	66393-4
	▲	▲	-	66393-3
	▲	▲	66406-1	66393-1
	▲	▲	REELING	PIN BODY FINISH
	▲	▲	L.P. REF	PART NO.

THIS DRAWING IS A CONTROLLED DOCUMENT.

DESIGNED BY: R. SHIBBY	DATE: 7-18-91	TYCO ELECTRONICS CORPORATION
CHECKED BY: S. STONE	DATE: 8-15-91	Harrisburg, PA 17105-3608
APPROVED BY: W. PARKER	DATE: 8-19-91	
PRODUCT SPEC: -	NAME: -	PIN ASSEMBLY, .062, TYPE III+
APPLICATION SPEC: -	SIZE: -	CAGE CODE: -
WEIGHT: -	SIZE: A2	CAGE CODE: 00779
		DRAWING NO: C-66393
		RESTRICTED TO: -
		CUSTOMER DRAWING

SCALE: 8:1 SHEET: 1 of 1 REV: AA