

DRAWING MADE IN THIRD ANGLE PROJECTION

THIS DRAWING IS UNPUBLISHED. RELEASED FOR PUBLICATION

© COPYRIGHT BY

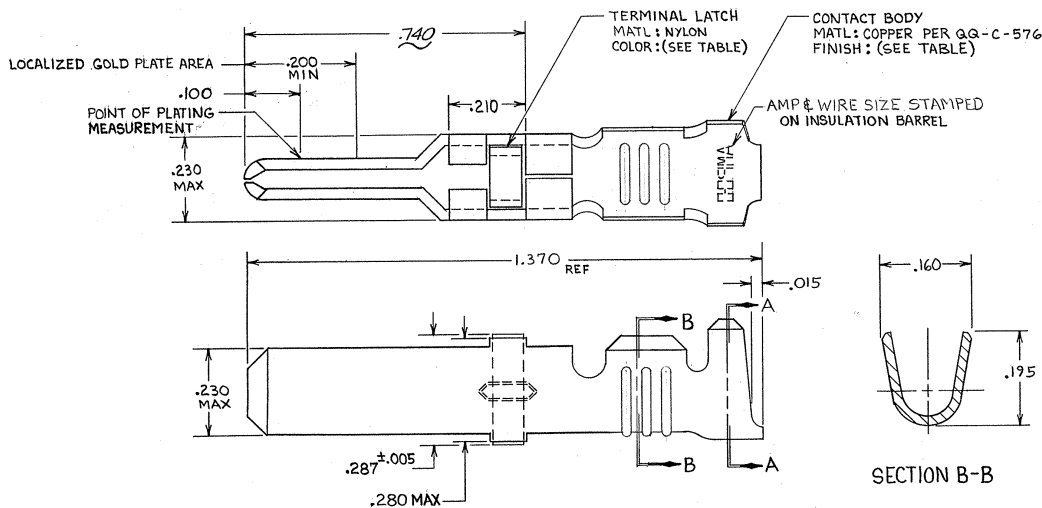
3

2

1

5016 LOC DF MD

REVISIONS						
P	F	ZONE	LTR	DESCRIPTION	DATE	APPROVED
			P1	REVISED PER ECO-11-005294	08APR11	HMR



- ▲ REELED FOR USE WITH STANDARD APPLICATORS.
- ▲ REELED FOR USE WITH HEAVY DUTY MINI-APPLICATORS.
- ▲ PLATED WITH .000100 MIN SILVER PER Q.Q.-S-345.
- ▲ PLATED WITH .000015 MIN GOLD PER MIL-G-45204 IN THE LOCALIZED GOLD PLATE AREA, GOLD FLASH ON THE REMAINDER, OVER .000030 MIN NICKEL PER Q.Q.-N-290.
- ▲ PLATED WITH .000030 MIN GOLD PER MIL-G-45204 IN THE LOCALIZED GOLD PLATE AREA, GOLD FLASH ON THE REMAINDER, OVER .000030 MIN NICKEL PER Q.Q.-N-290.
- ▲ PLATED WITH .000050 MIN 93-7% TIN-LEAD ALLOY OVER .000030 MIN NICKEL PER Q.Q.-N-290.
- 7. WIRE RANGE = 12-16 AWG.
- 8. INSULATION RANGE = .140-.165 DIA.
- ▲ PLATED TIN (NO LEAD) .000050 MIN THK PER ASTM-B-545 OVER NICKEL .000030 MIN THK PER Q.Q.-N-290.

TERMINAL LATCH COLOR	FINISH	STRIP ASSY P/N REF	STRIP ASSY P/N REF	LOOSE PIECE P/N REF
BLACK	▲	66256-4	66256-8	66262-5
NATURAL	▲	66256-6	66256-2	66262-4
BLACK	▲	66256-4	66256-2	66262-3
BLACK	▲	66256-5	66256-1	66262-2
BLACK	▲	66256-5	66256-1	66262-1

UNLESS OTHERWISE SPECIFIED DIMENSIONS ARE IN INCHES. TOLERANCES ON: DECIMALS ±.010 ANGLES ±		CONTRACT NO		TE Connectivity MALE TYPE XII GROUND CONTACT LOOSE PIECE ASSY	
MATERIAL SEE CALLOUT		DR. <i>Rick Robinson</i> 9-27-85 CHKD. <i>D. J. 10-25-85</i> APPD. <i>D. J. Boland</i> 10-25-85			
FINISH SEE DASH NO		DSGN APPD. <i>M. S. Smith</i> 10-28-85		SIZE C	FSCM NO 00779
		OTHER APPD		DRAWING NO 66262	SHEET

CUSTOMER DRAWING

66262