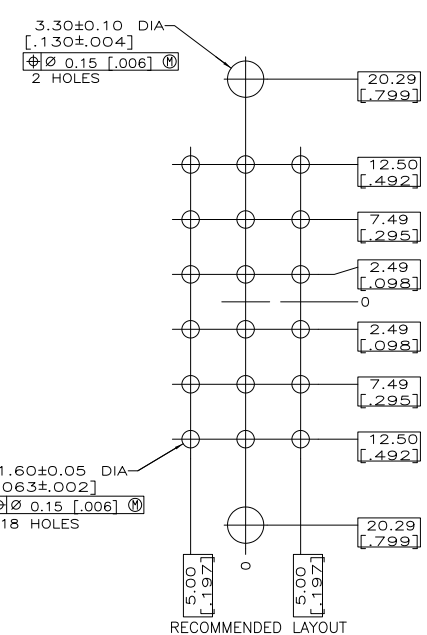
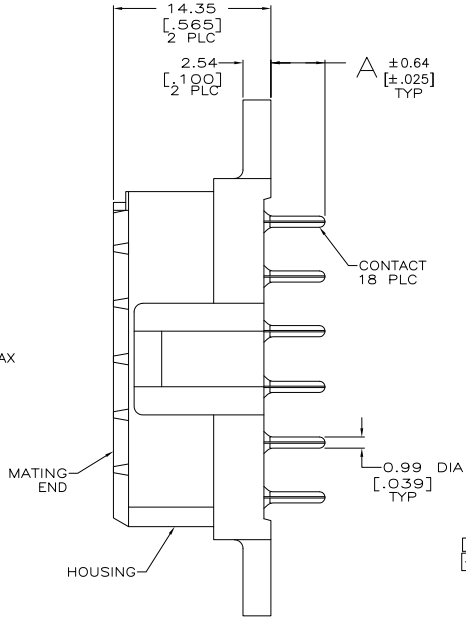
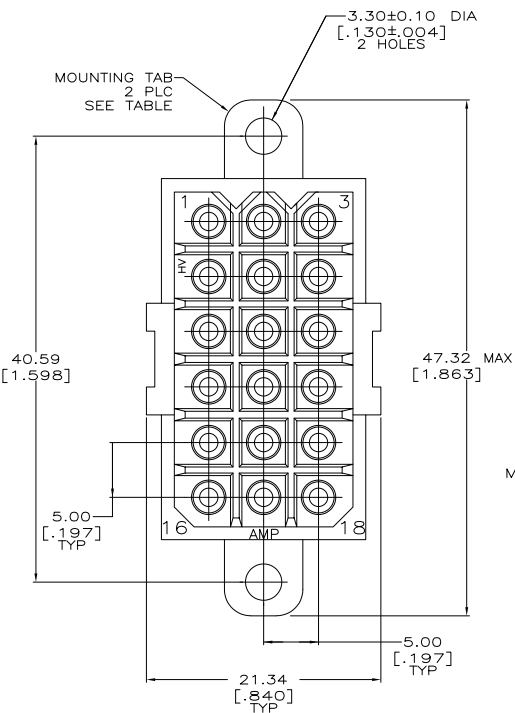


THIS DRAWING IS UNPUBLISHED. RELEASED FOR PUBLICATION.  
 © COPYRIGHT BY TYCO ELECTRONICS CORPORATION. ALL INTERNATIONAL RIGHTS RESERVED.

LOC	DIST	REVISIONS		
FT	0	F LTR	DESCRIPTION	DATE
		M1	REVISED PER ECO-08-028974	03DEC08 HMR GS



- 1 NYLON, UL 94-VO RATED, RED.
- 2 PHOSPHOR BRONZE.
- 3 3.81um [.000150] MIN TIN-LEAD OVER 1.27um [.000050] MIN NICKEL.
- 4 0.76um [.000030] MIN GOLD FOR A LENGTH OF 4.95 [.195] MIN FROM MATING END, 3.81um [.000150] MIN TIN-LEAD FOR A LENGTH OF 4.88 [.192] MIN ON OPPOSITE END, BOTH OVER 1.27um [.000050] MIN NICKEL.
- 5 3.81um [.000150] MIN TIN OVER 1.27um [.000050] MIN NICKEL.
- 6 0.76um [.000030] MIN GOLD FOR A LENGTH OF 4.95 [.195] MIN FROM MATING END, 3.81um [.000150] MIN TIN FOR A LENGTH OF 4.88 [.192] MIN ON OPPOSITE END, BOTH OVER 1.27um [.000050] MIN NICKEL.
- 7 PRELIMINARY PART NUMBER.

DIM A	CONTACT FINISH	MOUNTING TABS	PART NO
3.50 [.137]	YES	YES	1-207530-1
	NO	NO	1-207530-0
	YES	NO	207530-9
	NO	NO	207530-8
	YES	NO	207530-7
	NO	NO	207530-4
	YES	NO	207530-3
	NO	NO	207530-2
	YES	NO	207530-1

THIS DRAWING IS A CONTROLLED DOCUMENT. DIM 03/19/92  
 L. SHIP 3-25-92  
 C. STONE 3-25-92  
 A. TRAVIS 3-25-92

TYCO ELECTRONICS CORPORATION  
 HARRISBURG, PA 17105-3608

SOCKET HEADER ASSEMBLY,  
 18 POSITION, METRIMATE

108-10033  
 APPLICATION SPEC: -  
 WEIGHT: -

SIZE: A2 CASE CODE: C-207530  
 CUSTOMER DRAWING SCALE: 4:1 SHEET: 1 of 1 REV: M1