

4

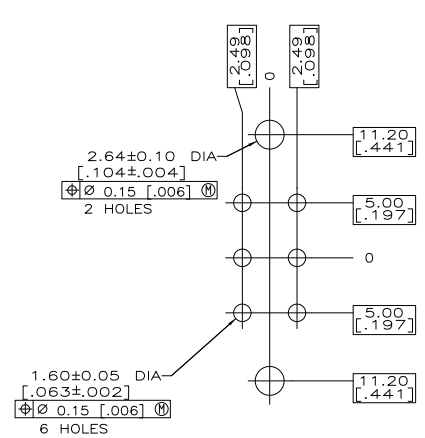
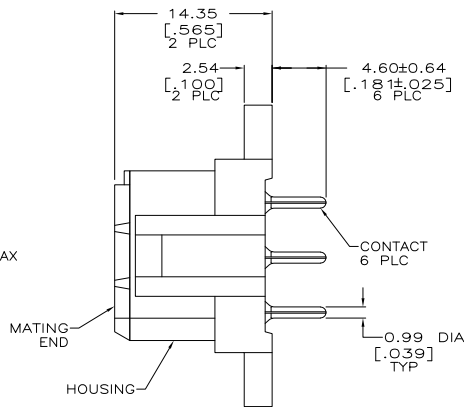
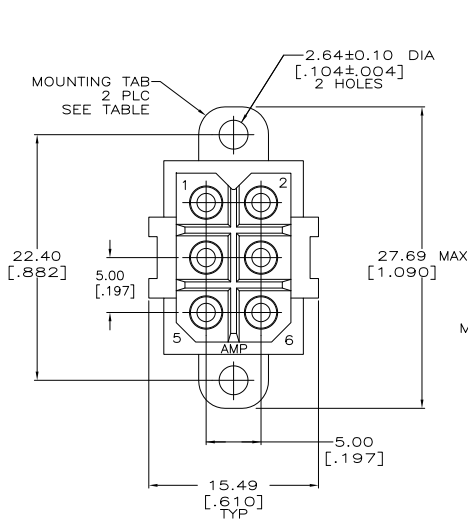
3

2

1

THIS DRAWING IS UNPUBLISHED. RELEASED FOR PUBLICATION. ALL RIGHTS RESERVED.

LOC	DIST	REVISIONS				
FT	0	F LWR	DESCRIPTION	DATE	BY	APPD
		P2	REVISED PER ECO-11-004917	11MAR11	RK	HMR



- ▲ NYLON, UL 94-VO RATED, RED.
- ▲ PHOSPHOR BRONZE.
- ▲ 3.81um [.000150] MIN TIN-LEAD OVER 1.27um [.000050] MIN NICKEL.
- ▲ 0.76um [.000030] MIN GOLD FOR A LENGTH OF 4.95 [.195] MIN FROM MATING END, 3.81um [.000150] MIN TIN-LEAD FOR A LENGTH OF 4.88 [.192] MIN ON OPPOSITE END, BOTH OVER 1.27um [.000050] MIN NICKEL.
- ▲ 3.81um [.000150] MIN TIN OVER 1.27um [.000050] MIN NICKEL.
- ▲ 0.76um [.000030] MIN GOLD FOR A LENGTH OF 4.95 [.195] MIN FROM MATING END, 3.81um [.000150] MIN TIN FOR A LENGTH OF 4.88 [.192] MIN ON OPPOSITE END, BOTH OVER 1.27um [.000050] MIN NICKEL.
- ▲ OBSOLETE PARTS: OBSOLETE CIS STREAMLINING PER D.RENAUD/D.SINISI

CONTACT FINISH	MOUNTING TABS	PART NO
▲	NO	1-207524-0
▲	YES	207524-9
▲	NO	<del>207524-8</del>
▲	YES	207524-7
▲	NO	207524-4
▲	YES	207524-3
▲	NO	207524-2
▲	YES	207524-1

THIS DRAWING IS A CONTROLLED DOCUMENT. DIM 03/20/92  
 L. SHIP 3-25-92  
 C. STONE 3-25-92  
 R. STONE 3-25-92  
 A. TRAVIS 3-25-92

DIMENSIONS: mm [INCHES]

TOLERANCES UNLESS OTHERWISE SPECIFIED:  
 0 PLC ± .01  
 1 PLC ± .01  
 2 PLC ± .015 (0.10)  
 3 PLC ± .015  
 4 PLC ± .015  
 ANGLES ± .5

MATERIAL: HOUSING: 1 CONTACT: SEE TABLE

DATE: 03/20/92  
 PRODUCT SPEC: 108-10033  
 APPLICATION SPEC: -  
 WEIGHT: -

TE Connectivity  
 SOCKET HEADER ASSEMBLY,  
 6 POSITION, METRIMATE

SIZE: A2 CASE CODE: C-207524 DRAWING NO: -  
 CUSTOMER DRAWING SCALE: 4:1 SHEET: 1 of 1 REV: P2