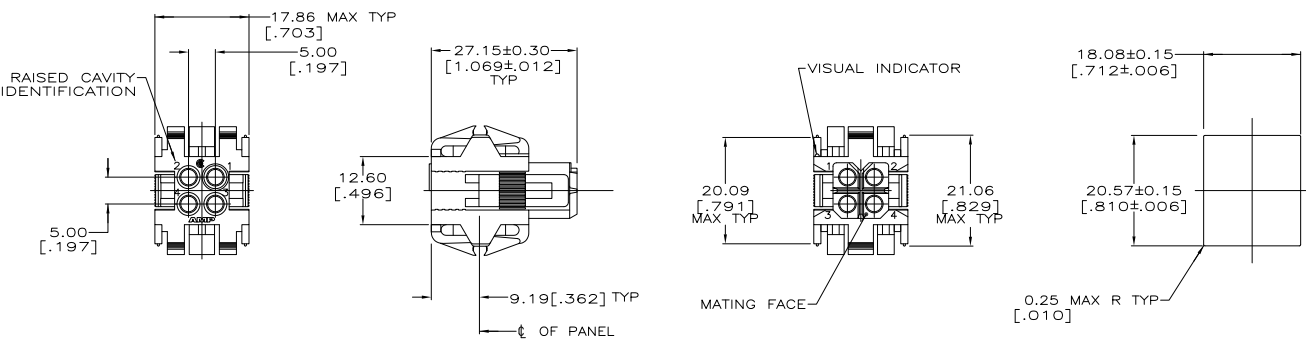


THIS DRAWING IS UNPUBLISHED. RELEASED FOR PUBLICATION. ALL RIGHTS RESERVED.

LOC	DRIT	REVISIONS			
F	LTR	DESCRIPTION	DATE	DWN	APVD
V1		REVISED PER ECO-11-004917	11MAR11	RK	HMR



PANEL CUTOUT

- 1. PANEL RETENTION MECHANISM ACCOMMODATES PANEL THICKNESSES FROM 0.76[.030] TO 2.29[.090].
- 2. SAME AS 207015-1 EXCEPT: ROUNDED EDGES ON THE OUTSIDE OF THE HOUSING AND A 45° ANGLE ON THE OUTSIDE OF THE HOUSING BY THE LOCKING LATCHES, REF 928095.

207015-2
207015-1
PART NO

THIS DRAWING IS A CONTROLLED DOCUMENT.		DWN W. LENKER 08/26/92	TE Connectivity	
DIMENSIONS: mm(INCHES)		CHK R. STONE 8-31-92	HOUSING, PLUG, 4 POSITION, METRIMATE	
TO DIMENSIONS UNLESS OTHERWISE SPECIFIED:		APPD A. TRAVIS 9-2-92	RESTRICTED TO	
0 PLC	± .005	PRODUCT SPEC	SIZE CASE CODE DRAWING NO	
1 PLC	± .005	108-10033	A2 00779 ©=207015	
2 PLC	± .005	APPLICATION SPEC	SCALE 2:1 SHEET 1 of 1 REV V1	
3 PLC	± .005	FINISH		
4 PLC	± .005	WEIGHT		
ANGLES	± .005	CUSTOMER DRAWING		
MATERIAL NYLON, COLOR: RED				

THIS DRAWING IS A CONTROLLED DOCUMENT FOR AND INCORPORATED IS SUBJECT TO CHANGE AND THE CONTROLLING ENGINEERING DEPARTMENT SHOULD BE CONTACTED FOR THE LATEST REVISION.