

4

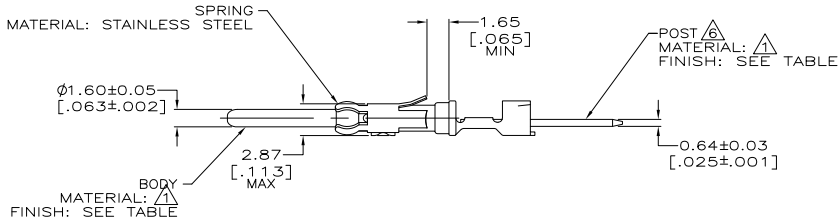
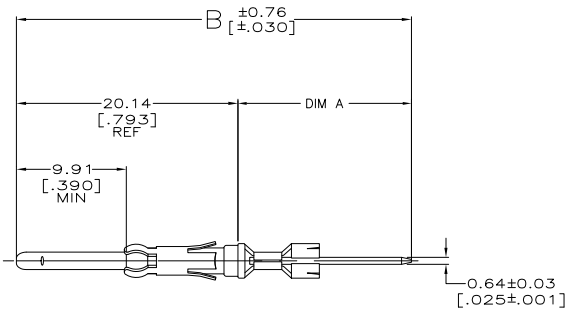
3

2

1

THIS DRAWING IS UNPUBLISHED. RELEASED FOR PUBLICATION. ALL RIGHTS RESERVED.

LOC	DIST	REVISIONS					
FT	0	P	LTR	DESCRIPTION	DATE	MIN	APD
		AS1		REVISED PER ECO-11-004587	11MAR11	RK	HMR



- ▲ BRASS PER ASTM B-36.
- ▲ 2.54µm [.000100] MIN TIN-LEAD OVER 1.27µm [.000050] MIN NICKEL.
- ▲ 0.76µm [.000030] MIN PRECIOUS METAL PLATING CONFORMS TO THE REQUIREMENTS OF TE PRODUCT SPEC 108-10042, BASED ON EIA/ECA-364-1000.01 (CONTROLLED ENVIRONMENT APPLICATIONS), OVER 1.27µm [.000050] MIN NICKEL.
- ▲ 0.76µm [.000030] MIN PRECIOUS METAL PLATE ON MATING END FOR A LENGTH OF 5.08 [.200] MIN OVER 1.27µm [.000050] MIN NICKEL PLATE. GOLD FLASH ALL OVER. CONFORMS TO THE REQUIREMENTS OF TE CONNECTIVITY PRODUCT SPEC 108-10042, BASED ON EIA/ECA-364-1000.01A (CONTROLLED ENVIRONMENT APPLICATIONS).
- ▲ SELECTIVELY PLATED 0.51µm [.000020] MIN GOLD, FOR A DISTANCE OF 5.08 [.200] FROM MATING END, GOLD FLASH ON REMAINDER, ALL OVER 0.76µm [.000030] MIN NICKEL.
- ▲ POST WILL ACCEPT (SEE TABLE) TERMINATIONS.
- ▲ POST PLATING .000100 MIN TIN OVER .000050 MIN NICKEL.
- ▲ .0001000 TIN OVER .000050 NICKEL.

FINISH	BODY FINISH	NO OF TERM	B	A	PART NUMBER
▲	▲	3	46.08 [1.814]	25.91 [1.020]	6-66460-6
▲	▲	1	35.97 [1.416]	15.80 [.622]	6-66460-5
▲	▲	3	46.08 [1.814]	25.91 [1.020]	6-66460-4
▲	▲	2	41.28 [1.625]	21.11 [.831]	6-66460-3
▲	▲	1	35.97 [1.416]	15.80 [.622]	6-66460-2
▲	▲	SPECIAL	33.40 [1.315]	13.23 [.521]	6-66460-1
▲	▲	SPECIAL	65.61 [2.583]	45.44 [1.789]	5-66460-0
▲	▲	SPECIAL	57.73 [2.273]	37.57 [1.479]	4-66460-9
▲	▲	SPECIAL	49.86 [1.963]	29.69 [1.169]	4-66460-8
▲	▲	SPECIAL	68.60 [2.701]	48.44 [1.907]	3-66460-0
▲	▲	SPECIAL	59.71 [2.351]	39.55 [1.557]	2-66460-9
▲	▲	SPECIAL	50.82 [2.001]	30.66 [1.207]	2-66460-8
▲	▲	1	34.80 [1.370]	14.63 [.576]	2-66460-1
▲	▲	-	34.77 [1.369]	14.63 [.576]	2-66460-0
▲	▲	SPECIAL	52.78 [2.078]	32.61 [1.284]	1-66460-9
▲	▲	2	41.28 [1.625]	21.11 [.831]	1-66460-8
▲	▲	2	41.28 [1.625]	21.11 [.831]	1-66460-1
▲	▲	SPECIAL	33.40 [1.315]	13.23 [.521]	1-66460-0
▲	▲	3	46.08 [1.814]	25.91 [1.020]	66460-9
▲	▲	2	41.28 [1.625]	21.11 [.831]	66460-8
▲	▲	1	35.97 [1.416]	15.80 [.622]	66460-7
▲	▲	3	46.08 [1.814]	25.91 [1.020]	66460-6
▲	▲	2	41.28 [1.625]	21.11 [.831]	66460-5
▲	▲	1	35.97 [1.416]	15.80 [.622]	66460-4
▲	▲	3	46.08 [1.814]	25.91 [1.020]	66460-3
▲	▲	2	41.28 [1.625]	21.11 [.831]	66460-2
▲	▲	1	35.97 [1.416]	15.80 [.622]	66460-1

SUPERSEDED BY 66460-8

OBSOLETE

THIS DRAWING IS A CONTROLLED DOCUMENT.

DIMENSIONS: MM [INCHES]	DIM: C. REIFENSDYER 08 JUN 96 CHK: S. STONE 27 JUN 96 DRG: G.A. STEINHÄUER 23 JUL 96 NAME:	PIN CONTACT, CRIMPED, .062, .025 X .025 POSST, M SERIES
MATERIAL: SEE CALLOUTS FINISH: SEE CALLOUTS	APPLICATION SPEC: - WEIGHT: -	SIZE: A2 CASE CODE: 00779 DRAWING NO: 66460
CUSTOMER DRAWING		RESTRICTED TO: - SCALE: 4:1 SHEET: 1 of 2 REV: AS1

66460

A

D

C

B

A

1

2

3

4

4

3

2

1

THIS DRAWING IS UNPUBLISHED. RELEASED FOR PUBLICATION
 © COPYRIGHT - By - ALL RIGHTS RESERVED.

LOC	DIST	REVISIONS					
FT	0	F	LNK	DESCRIPTION	DATE	MIN	APD
-	-	-	-	SEE SHEET 1	-	-	-

		SPECIAL	33.40 [1.315]	13.23 [.521]	6-66460-8
		2	41.28 [1.625]	21.11 [.831]	6-66460-7
POST FINISH	BODY FINISH	NO OF TERM	B	A	PART NUMBER

THIS DRAWING IS A CONTROLLED DOCUMENT.

DRN	C. REISNYDER	08 JUN 98
CHK	R. STONE	27 JUN 98
APPD	G. A. STEINHAUER	23 JUL 98
NAME	TE Connectivity	
PRODUCT SPEC	PIN CONTACT, CRIMPED, .062, .025 X .025 POSST, M SERIES	
APPLICATION SPEC	SIZE	CAGE CODE DRAWING NO
WEIGHT	A2	00779 C-66460
MATERIAL	CUSTOMER DRAWING	
FINISH	SCALE	4:1
SEE CALLOUTS	SHEET	2 of 2
SEE CALLOUTS	REV	AS1

1471-9 (3/11)

66460

A