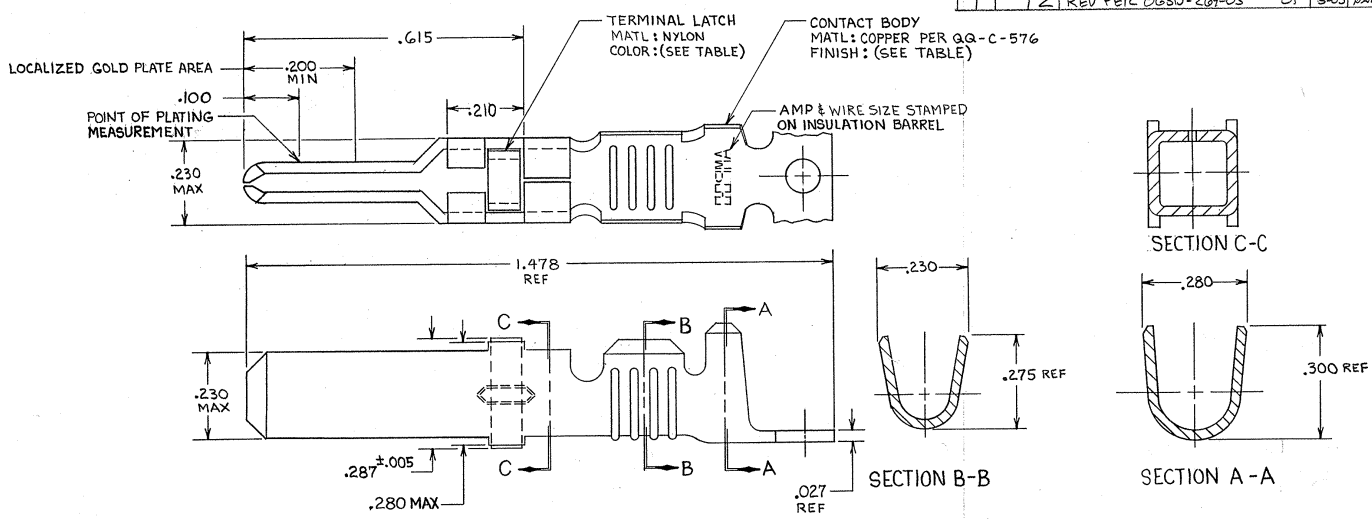


DRAWING MADE IN THIRD ANGLE PROJECTION

THIS DRAWING IS UNPUBLISHED. RELEASED FOR PUBLICATION
 © COPYRIGHT 19 BY AMP INCORPORATED, HARRISBURG, PA. ALL INTERNATIONAL RIGHTS RESERVED. AMP PRODUCTS MAY BE COVERED BY U.S. AND FOREIGN PATENTS AND/OR PATENTS PENDING.

P	F	ZONE	LTR	DESCRIPTION	DATE	APPROVED
✓	✓	V		REDRAWN & REVISED PER ECN R-1451	7-27-85	<i>[Signature]</i>
✓	✓	W		OBSOLETE -3 & -7 PER R-2700	3-4-81	<i>[Signature]</i>
✓	✓	Y		REV PER ECN DF-5920	11-25-82	<i>[Signature]</i>
✓	✓	Z		REV PER ECN 0630-269-03	5-03	<i>[Signature]</i>



- ▲ REELED FOR USE WITH STANDARD APPLICATORS.
- ▲ REELED FOR USE WITH HEAVY DUTY MINI-APPLICATORS.
- ▲ PLATED WITH .000100 MIN SILVER PER Q.Q-S-365.
- ▲ PLATED WITH .000015 MIN GOLD PER MIL-G-45204 IN THE LOCALIZED GOLD PLATE AREA, GOLD FLASH ON THE REMAINDER, OVER .000030 MIN NICKEL PER Q.Q-N-290.
- ▲ PLATED WITH .000030 MIN GOLD PER MIL-G-45204 IN THE LOCALIZED GOLD PLATE AREA, GOLD FLASH ON THE REMAINDER, OVER .000030 MIN NICKEL PER Q.Q-N-290.
- ▲ PLATED WITH .000050 MIN 93-7% TIN-LEAD ALLOY OVER .000030 MIN NICKEL PER Q.Q-N-290.
- 7. WIRE RANGE = 10 AWG.
- 8. INSULATION RANGE = .190 - .220 DIA.
- ▲ PLATED TIN (NO LEAD) .000030 MIN THK PER ASTM-B-545 OVER NICKEL .000030 MIN THK PER QQ-N-290.

BLACK	▲	66259-5	66253-0	▲
BLACK	▲	66259-5	66253-9	▲
NATURAL	▲	66259-4	66253-8	▲
BLACK	▲	66259-2	66253-7	▲
BLACK	▲	66259-2	66253-6	▲
BLACK	▲	66259-1	66253-5	▲
NATURAL	▲	66259-4	66253-4	▲
BLACK	▲	66259-1	66253-3	▲
BLACK	▲	66259-2	66253-2	▲
BLACK	▲	66259-1	66253-1	▲
TERMINAL LATCH COLOR	FINISH	L.P. ASS'Y P/N REF	STRIP ASS'Y P/N	

UNLESS OTHERWISE SPECIFIED DIMENSIONS ARE IN INCHES. TOLERANCES ON: DECIMALS ±.010 ANGLES ±	CONTRACT NO	AMP AMP INCORPORATED Harrisburg, Pa. 17105	
	MATERIAL SEE CALLOUT	DR <i>[Signature]</i> 9-27-85 CHK <i>[Signature]</i> 10-7-85 APPD <i>[Signature]</i> 10-1-85 DEGN APPD <i>[Signature]</i> 10-3-85	NAME MALE TYPE XII CONTACT STRIP ASSEMBLY
FINISH SEE DASH NO	OTHER APPD	SIZE C 00779	DRAWING NO 66253
SCALE NTS		SHEET	

CUSTOMER DRAWING