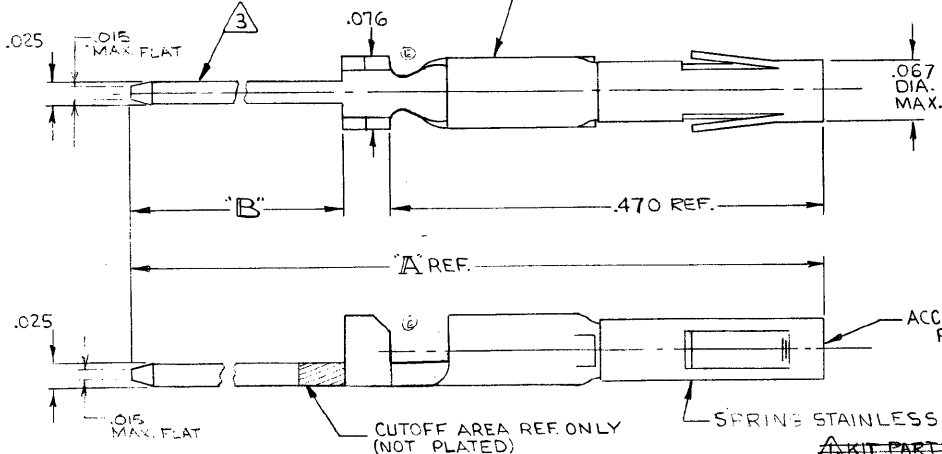


DRAWING MADE IN AMERICAN PROJECTION

© 1970 BY AMP INCORPORATED. ALL RIGHTS RESERVED. AMP PRODUCTS COVERED BY PATENTS AND/OR PATENTS PENDING.

Unpublished copy not to be reproduced without written permission of AMP Incorporated

SOCKET CONTACT-BRASS PER MIL-C-50
SEE CHART FOR FINISH



REVISIONS				
ZONE	LTR	DESCRIPTION	DATE	APPROVED
A		ADDED NOTE 3 PER ECN A-47	10/15/70	JAS
A1		1--0 RELEASED ECN A-47	10/15/70	JAS
A2		-A 1-2 RELEASED A-9876 A-9	1/16/71	JAS
A3		DELETED -4, -5, -6 ECN B-181	2/19/71	JAS
B		ADDED * TO -7 PER ECN B-345	2/22/71	JAS
C		ADDED * TO -8 PER ECN B-384	10/19/71	JAS
D		ADDED * TO -1--1 PER ECN B-404	12/15/71	JAS
E		REV. PER ECN C-119	3-12-73	JAS
F		REV. PER ECN D-363	11/25/74	JAS
G		ADDED Δ PER ECN E-663	9-2	JAS
H		REV. PER ECN J-265	2/15/82	JAS
J		REVISED PER ECN J-806	11/20/82	JAS
K		OBSOLETE -8 & 1--1 PER ECN R-2733	5-2-87	JAS
M		REACTIVATED 1--1 PER ECN DF-0001	7-21-87	JAS
N		REACTIVATE -8 DF 4925	2-19-92	JAS
P		REV. PER ECN DF-5530	10/9/92	JAS
R		REV PER 0400-2117-94	6-5-94	JAS

ACCOMMODATES .040 DIA. PIN CONTACT

SPRING STAINLESS STEEL PER QQ-S-706

1-205172-2	1.195	.685	.000030 MIN. GOLD / .000050 MIN. NI	3 *	1-204330-2
1-205172-1	.981	.471	.000030 MIN. GOLD / .000050 MIN. NI	2 *	1-204330-1
1-205172-0	.767	.257	.000030 MIN. GOLD / .000050 MIN. NI	1 *	1-204330-0
205172-9	1.195	.635	SELECTIVE .000030 GOLD / .000030 NICKEL	3 *	204330-9
205172-8	.981	.471	SELECTIVE .000030 GOLD / .000030 NICKEL	2 *	204330-8
205172-7	.767	.257	SELECTIVE .000030 GOLD / .000030 NICKEL	1 *	204330-7
205172-3	1.195	.685	TIN	3	204330-3
205172-2	.767	.471	TIN	2	204330-2
205172-1	.767	.257	TIN	1	204330-1

- 1. KIT PART NO. INDICATES 100 CONTACTS PER BAG.
- 2. GOLD PLATING PER MIL-G-45204, NICKEL PLATING PER CG-N-210, TIN PLATING PER MIL-T-10727.
- 3. AT LEAST TWO SHARP CORNERS WHOSE RADIUS SHALL NOT EXCEED .003.
- 4. GOLD FLASH OVER .000030 MIN. NICKEL ON ENTIRE CONTACT, WITH .000030 MIN. GOLD ON ELECTRICAL ENGAGEMENT AREA ONLY.
- 5. CAUTION: USE OF TIN PLATED TERMINALS IN CERTAIN ENVIRONMENTS MAY CAUSE NON-CONFORMANCE TO AMP PRODUCT SPECIFICATION 108-10015.

UNLESS OTHERWISE SPECIFIED DIMENSIONS ARE IN INCHES TOLERANCES ON: DECIMALS ± .005 ANGLES ± .7°	CONTRACT NO.	AMP INCORPORATED HARRISBURG, PENNSYLVANIA	
	DR. 2-Morningstar	AMP	
	CHK. 10-19-70	NAME SOCKET CONTACT, TYPE XI, #20 WRAP TYPE, LOOSE PIECE, .025x.025, KIT	
	APPD. 10-19-70	SIZE	CODE IDENT NO.
REL. 10-19-70	B	00779	NUMBER 205172
DSGN APPD.	SCALE	10:1	SHEET 1 OF 1
OTHER APPD.	CUSTOMER DRAWING		

PART NO.	"A"	"B"	CONTACT FINISH	NO. OF TERMINATIONS	CONTACT TYPE
1-204330-2				3	SOCKET
1-204330-1				2	SOCKET
1-204330-0				1	SOCKET