

4

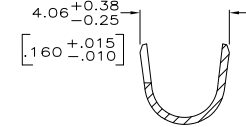
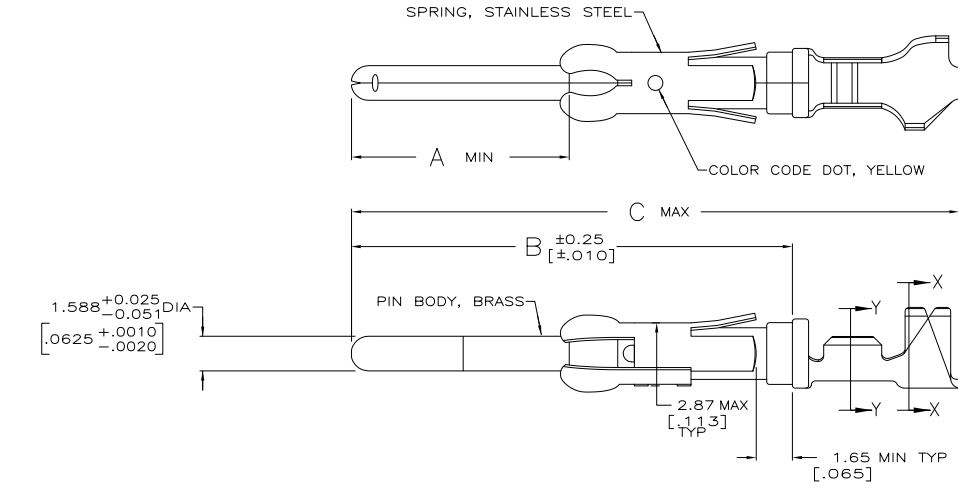
3

2

1

THIS DRAWING IS UNPUBLISHED. RELEASED FOR PUBLICATION. ALL RIGHTS RESERVED.

LOC		DIBT		REVISIONS			
FT	47	P	LTR	DESCRIPTION	DATE	MIN	APVD
		P1		REVISED PER ECO-11-004917	11MAR11	RK	HMR



- 1. 1.27µm [.000050] MIN TIN-LEAD OVER
1.27µm [.000050] MIN NICKEL.
- 2. 0.76µm [.000030] MIN PRECIOUS METAL PLATE ON MATING END FOR A LENGTH OF 5.08 [.200] MIN OVER 1.27µm [.000050] MIN NICKEL PLATE. 0.25µm [.000010] MIN GOLD ON THE REMAINDER ALL OVER 1.27µm [.000050] MIN NICKEL. CONFORMS TO THE REQUIREMENTS OF TE CONNECTIVITY PRODUCT SPEC 108-10042, BASED ON EIA/ECA-364-1000.01A (CONTROLLED ENVIRONMENT APPLICATIONS).
- 3. 0.76µm [.000030] MIN PRECIOUS METAL PLATE ON MATING END FOR A LENGTH OF 5.08 [.200] MIN OVER 1.27µm [.000050] MIN NICKEL PLATE. GOLD FLASH ALL OVER. CONFORMS TO THE REQUIREMENTS OF TE CONNECTIVITY PRODUCT SPEC 108-10042, BASED ON EIA/ECA-364-1000.01A (CONTROLLED ENVIRONMENT APPLICATIONS).
- 4. 0.38µm [.000015] MIN GOLD IN LOCALIZED PLATE AREA, GOLD FLASH ON THE REMAINDER ALL OVER 1.27µm [.000050] NICKEL.
- 5. WIRE RANGE 24-20 AWG.
- 6. INSULATION RANGE 1.52[.060]-3.05[.120] DIA.
- 7. 0.38µm [.000015] MIN GOLD PER MIL-G-45204 IN LOCALIZED PLATE AREA, 1.27µm [.000050] MIN TIN-LEAD PER MIL-T-10727 FOR A LENGTH OF 5.69 [.224] MIN ON OPPOSITE END, BOTH OVER 1.27µm [.000050] MIN NICKEL PER QQ-N-290 ON ENTIRE CONTACT.
- 8. 1.27µm [.000050] MIN TIN OVER
1.27µm [.000050] MIN NICKEL.

	27.56 [1.085]	20.17 [.794]	9.91 [.390]	⚠	1-66564-2	66566-7
OBSOLETE	27.56 [1.085]	20.17 [.794]	9.91 [.390]	⚠	1-66564-1	66566-6
OBSOLETE	30.78 [1.212]	23.85 [.939]	13.59 [.535]	⚠	1-66564-0	66566-5
	27.56 [1.085]	20.17 [.794]	9.91 [.390]	⚠	66564-8	66566-4
OBSOLETE	27.56 [1.085]	20.17 [.794]	9.91 [.390]	⚠	-	66566-3
	27.56 [1.085]	20.17 [.794]	9.91 [.390]	⚠	66564-2	66566-2
	27.56 [1.085]	20.17 [.794]	9.91 [.390]	⚠	66564-1	66566-1
	C	B	A	FINISH	STRIP P/N REF	PART NUMBER

THIS DRAWING IS A CONTROLLED DOCUMENT.

DIMENSIONS: INCHES 0 PL ± - 1 PL ± - 2 PL ± - 3 PL ± - 4 PL ± - ANGLES ± - FINISH	DIMENSIONS: MILLIMETERS 0 PL ± - 1 PL ± - 2 PL ± - 3 PL ± - 4 PL ± - ANGLES ± - FINISH	DATE: 10-1-90 BY: H. MOLL CHK: J. McCLINTON DATE: 12-15-90 APP: A. BOULLANNIE DATE: 12-10-90 NAME:	TE TE Connectivity PIN ASSEMBLY, LOOSE PIECE, TYPE III+
MATERIAL: SEE CALL OUT	FINISH: PIN BODY: SEE TBL	APPLICATION SPEC: -	SIZE: A2
		WEIGHT: -	CAGE CODE: 00779
			DRAWING NO: 66566
			RESTRICTED TO: -
			CUSTOMER DRAWING
			SCALE: 8:1
			SHEET: 1 of 1
			REV: P1

66566

A