

4

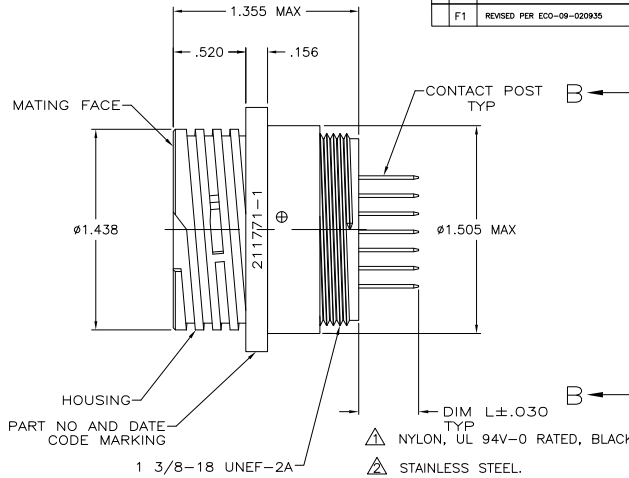
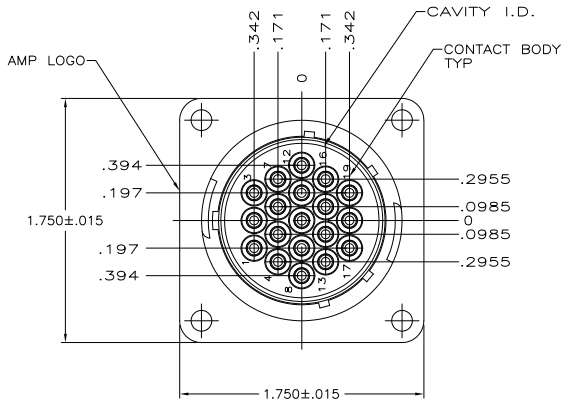
3

2

1

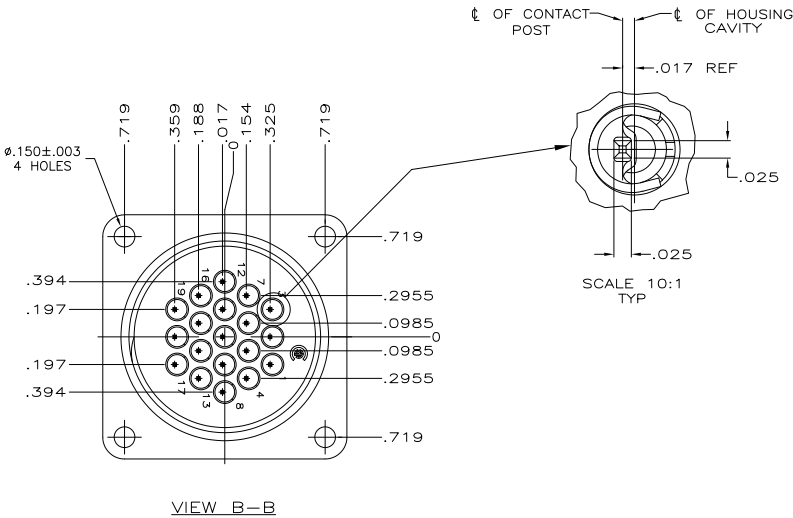
THIS DRAWING IS UNPUBLISHED. RELEASED FOR PUBLICATION  
 © COPYRIGHT BY TYCO ELECTRONICS CORPORATION. ALL RIGHTS RESERVED.

LOC		REVISIONS					
FT	0	P	LR	DESCRIPTION	DATE	MIN	APD
		F		REVISED PER ECO-07-007552	4/20/07	SS	SH
		F1		REVISED PER ECO-09-020935	26AUG09	KK	AEG



- ▲ NYLON, UL 94V-0 RATED, BLACK.
- ▲ STAINLESS STEEL.
- ▲ BRASS.
- ▲ CONTACT BODY: .000030 MIN GOLD FOR A LENGTH .200 MIN FROM MATING END. GOLD FLASH ON REMAINDER, BOTH OVER .000050 MIN NICKEL.
- ▲ CONTACT POST: .000100 MIN TIN-LEAD OVER .000050 MIN NICKEL.
- ▲ CONTACT POST: .000100 MIN TIN OVER .000050 MIN NICKEL.
- 7. RECOMMENDED PC BOARD HOLE SIZE FOR CONTACT POST = .035±.003 DIA.
- ▲ SELECT LOAD: NO CONTACTS IN POSITIONS 5 AND 6.
- ▲ OBSOLETE PARTS: OBSOLETE CIS STREAMLINING PER D.RENAUD/D.SINISI

▲	.244	213782-7
▲	.429	213782-4
▲	.119	213782-3
▲	.244	213782-2
▲	.429	213782-1
	POST FINISH	DIM L
		PART NUMBER



THIS DRAWING IS A CONTROLLED DOCUMENT. **W. LENKER** 08/20/93  
**S. STONE** 08/24/93  
 Tyco Electronics Corporation  
 Harrisburg, PA 17105-3608

RECEPTACLE ASSEMBLY, POSTED, STD SEX, SERIES 1, 23-19, CPC

DIMENSIONS: INCHES	0 PLC ± .005	1 PLC ± .005	2 PLC ± .005	3 PLC ± .005	4 PLC ± .005	5 -	6 -	7 -	8 -	9 -
MATERIAL: HOUSING	CONTACT SPRING	CONTACT BODY & POST	FINISH	APPLICATION SPEC	WEIGHT	SIZE	CAGE CODE	DRAWING NO	RESTRICTED TO	
						A2	00779	C=213782	CUSTOMER DRAWING	

SCALE: 2:1 SHEET: 1 of 2 REV: F1

AMP 1471-9 REV 31MM0200

213782

A

4

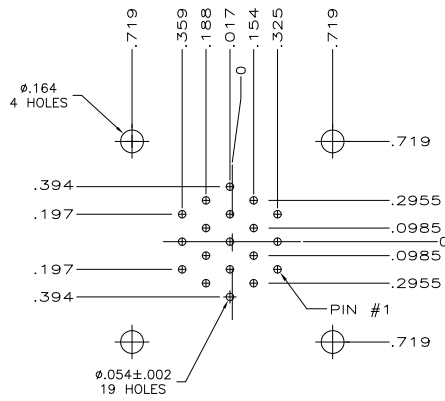
3

2

1

THIS DRAWING IS UNPUBLISHED. RELEASED FOR PUBLICATION  
 © COPYRIGHT BY TYCO ELECTRONICS CORPORATION. ALL RIGHTS RESERVED.

LOC	DIST	REVISIONS					
FT	0	P	LR	DESCRIPTION	DATE	BY	APPD
				SEE SHEET 1			



RECOMMENDED P.C. BOARD LAYOUT

THIS DRAWING IS A CONTROLLED DOCUMENT.		BY: W. LENKER 08/20/93	Tyco Electronics Corporation Harrisburg, PA 17105-3608																			
DIMENSIONS: INCHES		CHK: S. STONE 08/24/93	RECEPTACLE ASSEMBLY, POSTED, STD SEX, SERIES 1, 23-19, CPC																			
<table border="1"> <tr><th>PLC</th><th>±</th><th>INCHES</th></tr> <tr><td>0</td><td>±</td><td>-.005</td></tr> <tr><td>1</td><td>±</td><td>-.005</td></tr> <tr><td>2</td><td>±</td><td>-.005</td></tr> <tr><td>3</td><td>±</td><td>-.005</td></tr> <tr><td>4</td><td>±</td><td>-.005</td></tr> </table>		PLC	±	INCHES	0	±	-.005	1	±	-.005	2	±	-.005	3	±	-.005	4	±	-.005	NAME: 108-10024	RESTRICTED TO: -	
PLC	±	INCHES																				
0	±	-.005																				
1	±	-.005																				
2	±	-.005																				
3	±	-.005																				
4	±	-.005																				
MATERIAL: HOUSING: CONTACT SPRING: CONTACT BODY & POST:		PRODUCT SPEC: 114-10038	SIZE: A2	CAGE CODE: 00779																		
FINISH: -		HEIGHT: -	DRAWING NO: C-213782																			
		CUSTOMER DRAWING		SCALE: 2:1 SHEET: 2 of 2 REV: F1																		

AMP 1471-9 REV 31MM2000

213782