

4

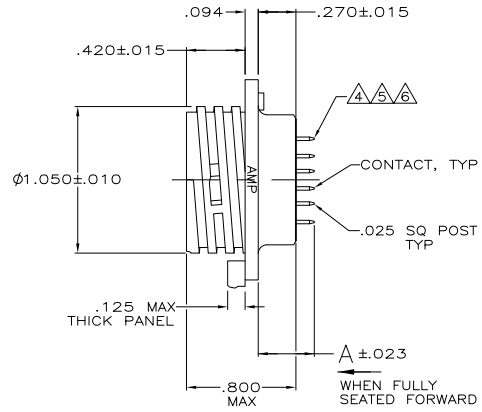
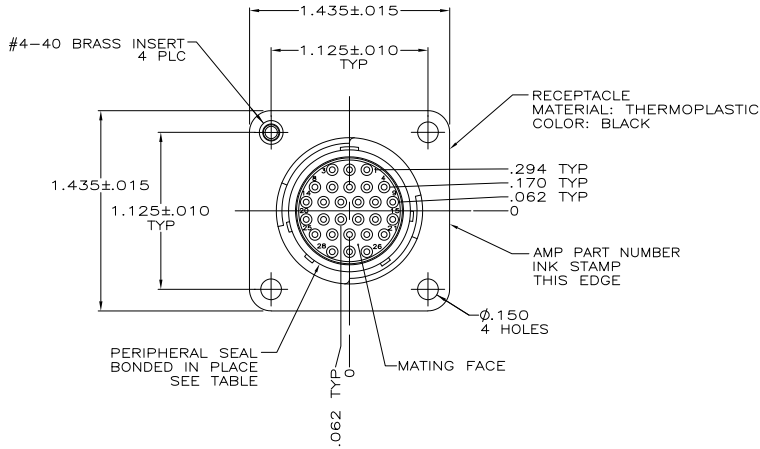
3

2

1

THIS DRAWING IS UNPUBLISHED. RELEASED FOR PUBLICATION
 © COPYRIGHT - By - ALL RIGHTS RESERVED.

LOC	DIST	REVISIONS					
FT	0	P	LTR	DESCRIPTION	DATE	BY	APPD
		AD3		REVISED PER ECO-11-004917	11MAR11	RK	HMR



1. CONTACT CAVITIES IDENTIFIED BY CHARACTERS ON FRONT AND REAR FACE OF CONNECTOR.

- △ GOLD FLASH FOR A LENGTH OF .100 MIN FROM MATING END, .000100 MIN TIN-LEAD FOR A LENGTH OF DIMENSION 'A' FROM OPPOSITE END, ALL OVER .000050 MIN NICKEL.
- △ .000030 MIN GOLD FOR A LENGTH OF .100 MIN FROM MATING END, .000100 MIN TIN-LEAD FOR A LENGTH OF DIMENSION 'A' FROM OPPOSITE END, ALL OVER .000050 MIN NICKEL.
- △ CONTACTS TO BE SELECTIVELY LOADED INTO POSITIONS 1, 3, 4, 8, 14, 15, 21, 25, 26, 27 AND 28; FOR -1 ONLY.
- △ CONNECTOR TO BE FULLY LOADED FOR -2, -3, -6, AND -8.
- △ CONTACTS TO BE SELECTIVELY LOADED INTO POSITIONS 1 THRU 27; FOR -9 ONLY.
- △ .000030 MIN GOLD FOR A LENGTH OF .100 MIN FROM MATING END, .000100 MIN TIN FOR A LENGTH OF DIMENSION 'A' FROM OPPOSITE END, ALL OVER .000050 MIN NICKEL.
- △ GOLD FLASH FOR A LENGTH OF .100 MIN FROM MATING END, .000100 MIN TIN-LEAD FOR A LENGTH OF DIMENSION 'A' FROM OPPOSITE END, ALL OVER .000050 MIN NICKEL.
- △ OBSOLETE PARTS: OBSOLETE CIS STREAMLINING PER D.RENAUD/D.SINISI

	NO	YES	△	.851	2-207216-1
△ OBSOLETE	NO	YES	△	.402	2-207216-0
	NO	YES	△	.402	1-207216-9
	YES	NO	△	.851	1-207216-8
	NO	NO	△	.629	1-207216-7
	NO	NO	△	.402	1-207216-6
△ OBSOLETE	NO	NO	△	.629	1-207216-4
PRELIMINARY	NO	YES	△	.629	1-207216-3
PRELIMINARY	NO	YES	△	.851	1-207216-2
△ OBSOLETE	NO	YES	△	.402	1-207216-1
	NO	YES	△	.402	1-207216-0
	YES	NO	△	.851	207216-9
	NO	NO	△	.629	207216-8
OBSOLETE	NO	YES	△	.629	207216-6
OBSOLETE	NO	YES	△	.402	207216-3
	NO	NO	△	.402	207216-2
OBSOLETE	NO	NO	△	.402	207216-1
	SEAL	THREADED INSERT	CONTACT FINISH	Δ	PART NUMBER

THIS DRAWING IS A CONTROLLED DOCUMENT. DWG: J. GALLUCCI, BG 5-22-91
 CHK: W. G. LENKER 4-14-92
 APP: K. BEAVER 4-14-92

DIMENSIONS: INCHES
 0 PLC ± .005
 1 PLC ± .005
 2 PLC ± .005
 3 PLC ± .005
 4 PLC ± .005
 ANGLES ± .005

MATERIAL: SEE CALLOUT
 FINISH: SEE TABLE

PRODUCT SPEC: 108-10024
 APPLICATION SPEC: -
 WEIGHT: -

TE Connectivity
 RECEPTACLE ASSEMBLY, POSTED, RVS SEX, 17-28, SERIES 2, CPC

SIZE: A2
 CASE CODE: 00779
 DRAWING NO: C-207216
 RESTRICTED TO: -

CUSTOMER DRAWING
 SCALE: 2:1
 SHEET: 1 of 1
 REV: AD3