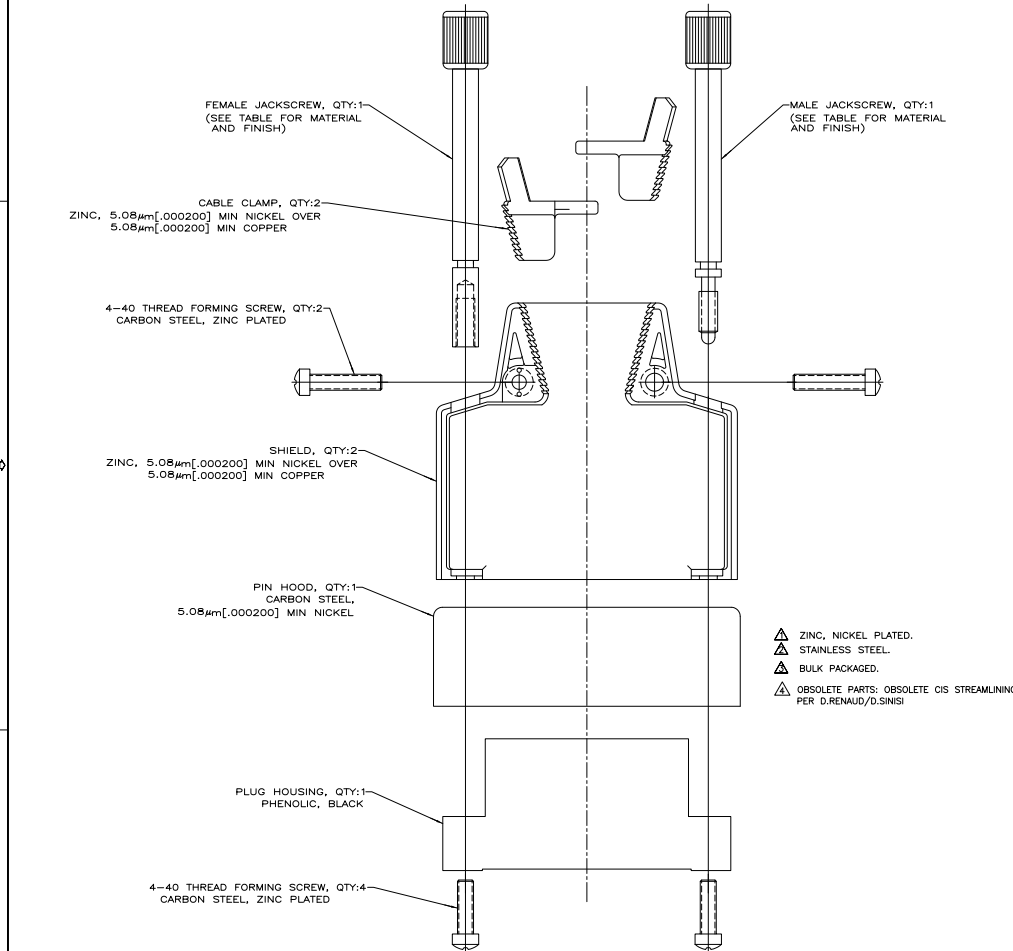
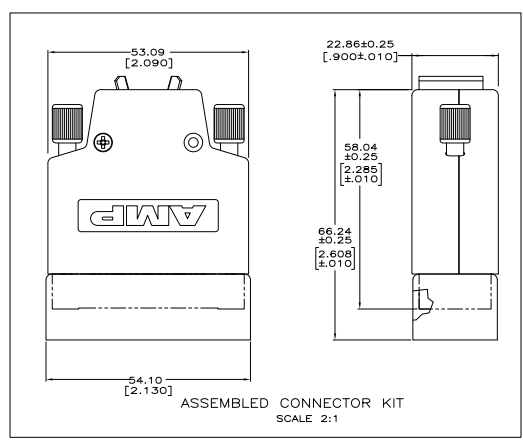


DRAWING MADE IN THIRD ANGLE PROJECTION
 THIS DRAWING IS UNPUBLISHED. RELEASED FOR PUBLICATION
 © COPYRIGHT 19 BY AMP INCORPORATED. ALL INTERNATIONAL RIGHTS RESERVED.

REVOLUTIONS		DATE	APPD
A	ADDED -5 PER NPR 4275	07/26/94	SK
B	ADDED -6 PER NPR 4287	07/27/94	RR
C	ADDED -7 & -8 PER NPR 4304	08/10/94	SK
C-1	ADDED -9 PER NPR 5009	10/10/94	TC
D	REV PER ECN 0020-430-94	08/29/94	TC
E	ADDED 1-10 PER EC 0020-1216-94	10/10/94	TC
F	REV PER EC 0020-216-95	08/29/94	TC
G	REV PER EC 0020-318-95	08/29/94	TC
H	ADDED 1-11 PER EC 0320-46-96	11/09/96	MM
J	CS -5, -6 & -8 PER EC 0320-558-96	07/26/96	MM
J-1	REVISED PER ECD-09-021826	08/29/96	AEG



- ▲ ZINC, NICKEL PLATED.
- ▲ STAINLESS STEEL.
- ▲ BULK PACKAGED.
- ▲ OBSOLETE PARTS: OBSOLETE CIS STREAMLINING PER D.RENAUD/D.SINISI



REVISED BY	DATE	DESCRIPTION	QTY	UNIT	
▲ OBSOLETE	▲	YES	3.81-7.62	[.150-.300]	4-213684-1
▲ OBSOLETE	▲	NO	3.81-7.62	[.150-.300]	4-213684-0
▲ OBSOLETE	▲	YES	3.81-7.62	[.150-.300]	213684-9
▲ OBSOLETE	▲	NO	6.35-10.16	[.250-.400]	213684-8
▲ OBSOLETE	▲	NO	10.16-15.24	[.400-.600]	213684-7
▲ OBSOLETE	▲	YES	6.35-10.16	[.250-.400]	213684-6
▲ OBSOLETE	▲	YES	10.16-15.24	[.400-.600]	213684-5
▲ OBSOLETE	▲	YES	6.35-10.16	[.250-.400]	213684-4
▲ OBSOLETE	▲	YES	10.16-15.24	[.400-.600]	213684-3
▲ OBSOLETE	▲	NO	6.35-10.16	[.250-.400]	213684-2
▲ OBSOLETE	▲	NO	10.16-15.24	[.400-.600]	213684-1

JACKSCREW	PIN HOOD	CABLE DIAMETER	PART NO
DO NOT SCALE PRINT. UNLESS SPECIFIED DIMENSIONS IN mm [INCHES] TOLERANCES: GA 2 PLG DEC 3 ANGLES	DR 6-21-91 WJLENER CHK 6-27-91 R. STONE	AMP Incorporated Harrisburg, PA 17105-3608	
MATERIAL: SEE CALLOUTS	APPD 6-28-91 A BOLLIGIANNE PRODUCT SPEC	CONNECTOR KIT, UNASSEMBLED, 34 POSITION, M SERIES	
FINISH: SEE CALLOUTS	APPLICATION SPEC	SIZE: D CAGE CODE: 00779 SCALE: 3:1	DRAWING NO: 213684 SHEET: 1 OF 1

CUSTOMER DRAWING