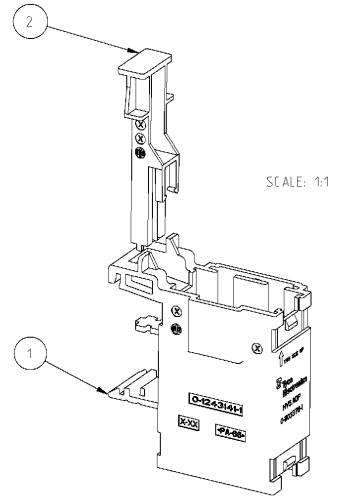
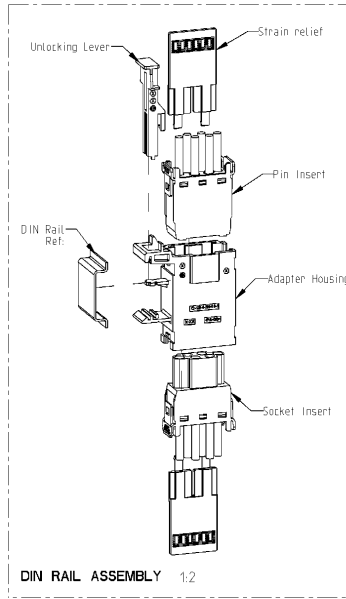
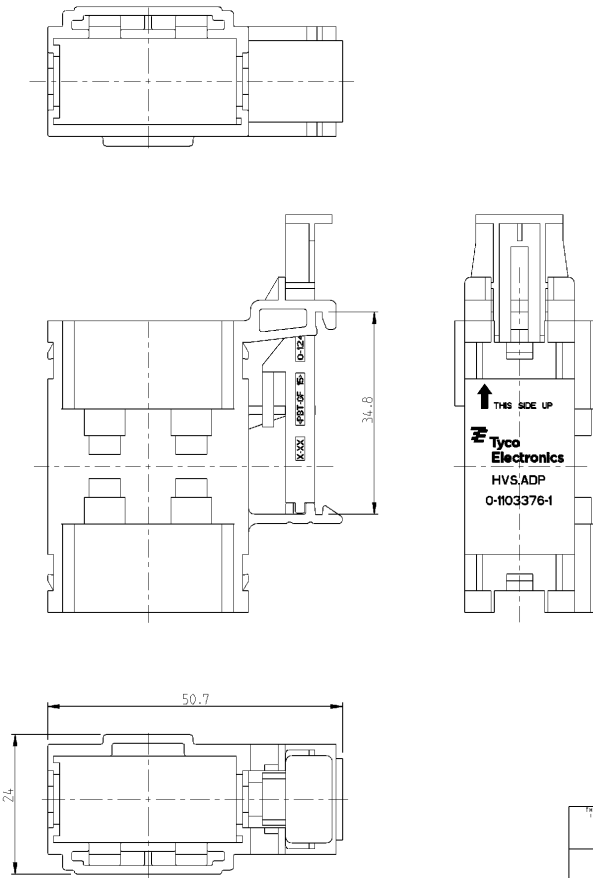


THIS DRAWING IS UNPUBLISHED. RELEASED FOR PUBLICATION
 COPYRIGHT 19 BY TYCO ELECTRONICS CORPORATION. ALL RIGHTS RESERVED.

LOC	DIST	REVISIONS			
P	LTR	DESCRIPTION	DATE	BY	APVD
A1	-	C1	RELEASED AS PER ECR-07-023824	28-SEP-07	PB ST

- NOTES:
- 1 PACKAGING QTY: 10 PCS. IN BOX
 - 2 SUITABLE CONNECTOR : HVS.HE.6.Stf/Bu.C
 - 3 STANDARDS: DIN EN 61984; DIN EN 60664-1



PN: 0-1
 ORDERING TEXT: HVS.ADP

QTY	DESCRIPTION	MATERIAL	SURFACE	COLOR	ITEM
1	UNLOCKING LEVER	PBT	VDI 3400-24	LIGHT GREY	2
1	ADAPTER HOUSING	PA-66	VDI 3400-24	LIGHT GREY	1

DIMENSIONS:		TOLERANCES UNLESS OTHERWISE SPECIFIED:		DWN		Tyco Electronics	
mm		0 PLC	±0.5	19-Jan-07	Tyco Electronics AMP GmbH		
		1 PLC	±0.13	19-Jan-07	D-53819 Neunkirchen		
		2 PLC	±0.013	19-Jan-07	NAME		
		4 PLC	±0.0001	19-Jan-07	HVS MODULE - HVS.ADP		
		MIGLES	±		ADAPTER HOUSING ASSY		
MATERIAL	FINISH	PRODUCT SPEC		APVD		RESTRICTED TO	
		108-74093		T.SCHNURBEFF		-	
		APPLICATION SPEC		114-74099		SIZE CAGE CODE DRAWING NO	
		WEIGHT		A3 00779		DRAWING NO	
		CUSTOMER DRAWING		C-1103376		RESTRICTED TO	
		SCALE 2:1		SHEET 1 OF 1		REV C1	