

4

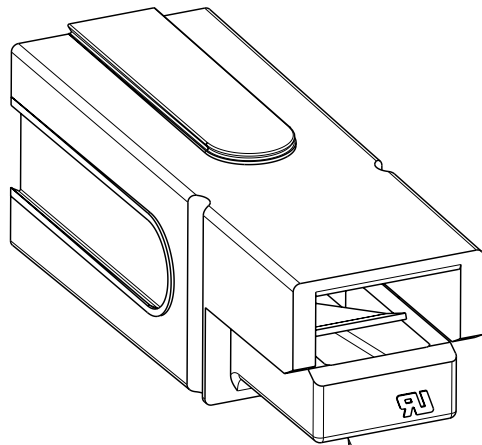
3

2

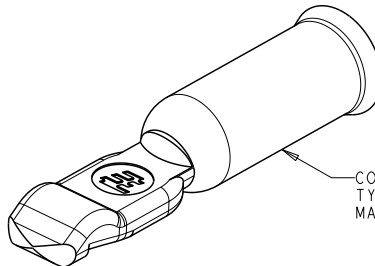
1

THIS DRAWING IS UNPUBLISHED. RELEASED FOR PUBLICATION 20
 © COPYRIGHT 20 BY TYCO ELECTRONICS CORPORATION. ALL RIGHTS RESERVED.

LOC	DIST	REVISIONS				
P	LTR	DESCRIPTION	DATE	DWN	APVD	
	01	REVISED PER ECR-10-010379	24MAY2010	HMR	JR	



HOUSING-SPRING SUB-ASSY, 1 REOD
 TYCO PART NUMBER
 1604062-1 THRU -5 (INCLUSIVE)
 MAY BE ORDERED SEPARATELY



CONTACT, 1/0 AWG, 1 REOD
 TYCO PART NUMBER 1604038-1
 MAY BE ORDERED SEPARATELY

GREEN	1604398-5
RED	1604398-4
WHITE	1604398-3
BLACK	1604398-2
BLUE	1604398-1
HOUSING COLOR	KIT PART NO

THIS PRODUCT HAS PASSED VERIFICATION AND AGENCY APPROVALS TESTING AND IS COMPONENT RECOGNIZED PER UL 1977. TYCO ELECTRONICS PRODUCT QUALIFICATION TESTING IS NOT YET COMPLETED.



<small>THIS DRAWING IS A CONTROLLED DOCUMENT FOR TYCO ELECTRONICS CORPORATION. IT IS SUBJECT TO CHANGE AND THE CONTROLLING ENGINEERING ORGANIZATION SHOULD BE CONTACTED FOR THE LATEST REVISION.</small>		DWN 9SEP2002 Brent D. Yohn CHK 9SEP2002 W.H. BERNHART APVD 9SEP2002 W.H. BERNHART	Tyco Electronics Harrisburg, PA 17105-3608
DIMENSIONS: mm	TOLERANCES UNLESS OTHERWISE SPECIFIED: 0 PLC ± 1 PLC ±0.4 2 PLC ±0.13 3 PLC ±0.050 4 PLC ± ANGLES ±	NAME W.H. BERNHART PRODUCT SPEC - APPLICATION SPEC - WEIGHT -	KIT, CONNECTOR, SERIES 180 AMP, WITH 1/0 AWG CONTACTS - SIZE CAGE CODE DRAWING NO RESTRICTED TO A3 00779 C-1604398 -
MATERIAL -	FINISH -	CUSTOMER DRAWING SCALE 2:1 SHEET 1 OF 1 REV 01	