

LOC	DIST	REVISIONS					
A1	-	P	LTR	DESCRIPTION	DATE	DWN	APVD
		L2		REVISED PER ECO-11-005150	28APR11	RK	HMR


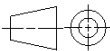
2-12 POS. STANDARD-TIMER HOUSING
REFER DRAWING 1241965

RELEASED FOR PUBLICATION

ALL RIGHTS RESERVED.

THIS DRAWING IS UNPUBLISHED.

BY
COPYRIGHT -

DIMENSIONS:		DWN	07-NOV-06	MATERIAL	-	FINISH	-
mm		CHK	07-NOV-06				
TOLERANCES UNLESS OTHERWISE SPECIFIED:		APVD	07-NOV-06				
0 PLC	±	PRODUCT SPEC	-	NAME			
1 PLC	±	APPLICATION SPEC	-	2-12 POS. STANDARD-TIMER HOUSING			
2 PLC	±	WEIGHT	-	SIZE	CAGE CODE	DRAWING NO	RESTRICTED TO
3 PLC	±		CUSTOMER DRAWING	A 4	-	C=928247	-
4 PLC	±			SCALE	-	SHEET	1
ANGLES	±					REV	L2