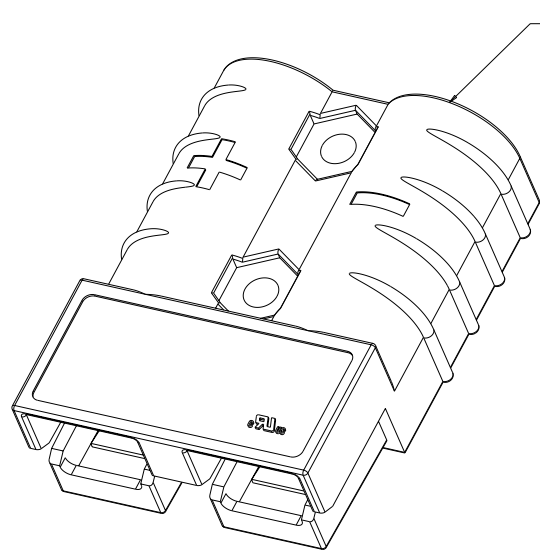
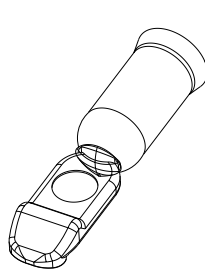


DATE DRAWING IS IMPROVED 8 RECEIVED FOR PUBLICATION 7  
 (C) 20150228 BY ALL RIGHTS RESERVED 6

REVISED		REVISIONS			
CM	00	DESCRIPTION	DATE	BY	APP
P		REVISED PER ECO-11-005027			



HOUSING/SPRING SUBASSEMBLY  $\Delta\Delta$



CONTACT  $\Delta$

- $\Delta$  HOUSING MATERIAL: POLYCARBONATE UL 94 V-0
- $\Delta$  CONTACT MATERIAL: COPPER  
PLATING: SILVER
- $\Delta$  647893-4 (COLOR GRAY) AND 647893-7 (COLOR BLACK)  
KEY DETAIL ARE SHOWN.
- 4. A KIT INCLUDES 1 HOUSING SPRING ASSEMBLY AND 2 CONTACTS.
- 5. THIS PRODUCT HAS PASSED VERIFICATION AND AGENCY APPROVALS TESTING AND IS COMPONENT RECOGNIZED PER UL 1977 AND CSA 22.2. TE CONNECTIVITY PRODUCT QUALIFICATION TESTING IS NOT YET COMPLETE.

647879-1	647845-8 (YELLOW)	647893-8
647879-1	647845-7 (BLACK)	647893-7
647879-1	647845-5 (BLUE)	647893-5
647879-1	647845-4 (GRAY)	647893-4
647879-1	647845-3 (RED)	647893-3
$\Delta$ CONTACT	$\Delta\Delta$ HOUSING/SPRING SUBASSEMBLY	KIT P/N

THIS DRAWING IS A CONTROLLED DOCUMENT.		DATE: 11/15/2007	REV: 00	TE Connectivity
DRAWN BY: [Signature]	CHECKED BY: [Signature]	DATE: 11/15/2007	REV: 00	CONNECTOR KIT, AMP POWER SERIES 50, 10-12 AWG
APPROVED BY: [Signature]	DATE: 11/15/2007	REV: 00	SIZE: A	SCALE: 1:1
MATERIAL: [Blank]	DESCRIPTION: [Blank]	QUANTITY: [Blank]	UNIT: [Blank]	REVISIONS: [Blank]
CUSTOMER DRAWING		DATE: 11/15/2007	REV: 00	BY: [Blank]