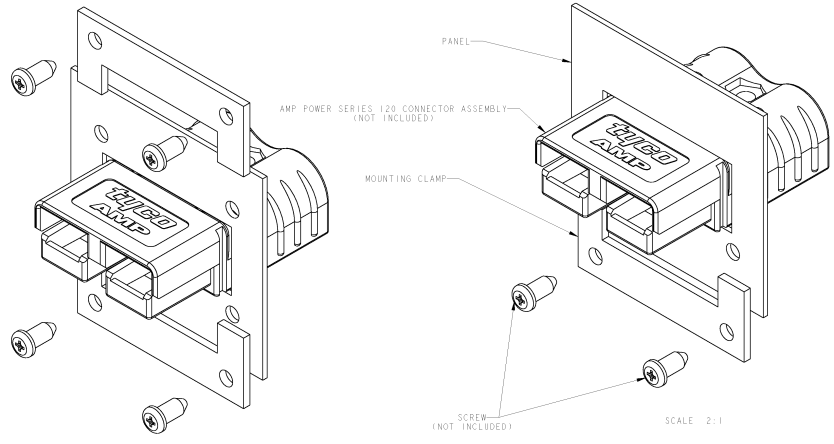
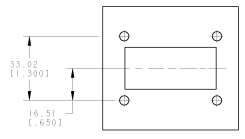


REV. NO.		DATE	BY	CHKD	APP'D
00	CM				
01	CM				
02	CM				
03	CM				
04	CM				
05	CM				
06	CM				
07	CM				
08	CM				
09	CM				
10	CM				

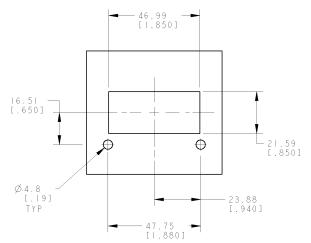


SCALE 2:1

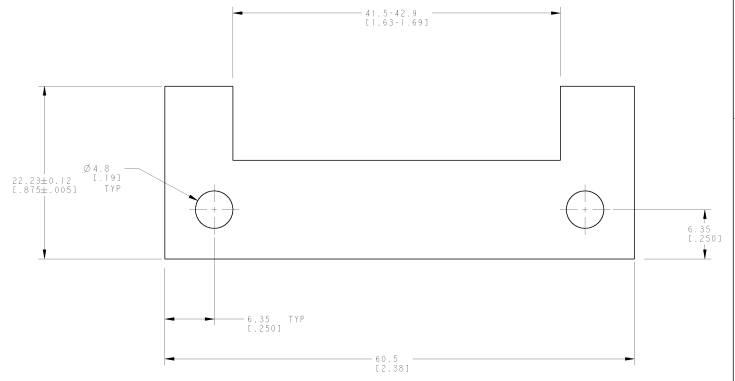
SCALE 2:1



RECOMMENDED PANEL CUT OUT (TWO BRACKETS) SCALE 1:1



RECOMMENDED PANEL CUT OUT (ONE BRACKET) SCALE 1:1



1744090-1
PART NUMBER

MILITARY PARTS		MILITARY PARTS		MILITARY PARTS	
QTY	UNIT	QTY	UNIT	QTY	UNIT
1	EA	1	EA	1	EA
MATERIAL		MATERIAL		MATERIAL	
ALUMINUM		ALUMINUM		ALUMINUM	
FINISH		FINISH		FINISH	
NONE		NONE		NONE	
DRAWING NO.		DRAWING NO.		DRAWING NO.	
114-13105		114-13105		114-13105	
REV.		REV.		REV.	
A		A		A	
DATE		DATE		DATE	
00779		00779		00779	
PART NO.		PART NO.		PART NO.	
1744090		1744090		1744090	
MFG. NO.		MFG. NO.		MFG. NO.	
-		-		-	
CUSTOMER DRAWING		CUSTOMER DRAWING		CUSTOMER DRAWING	
-		-		-	

