

4

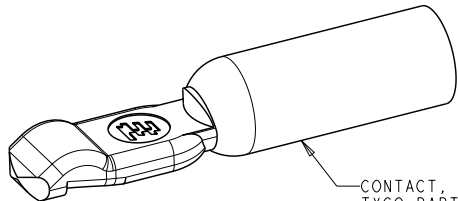
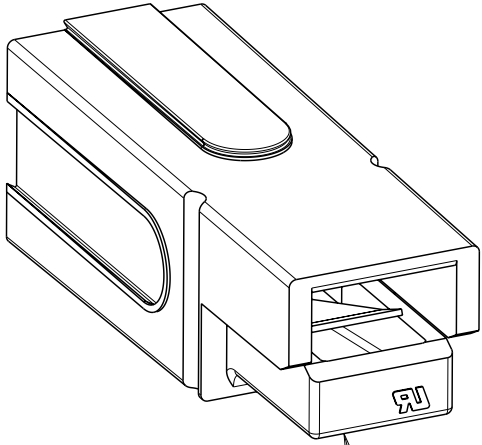
3

2

1

THIS DRAWING IS UNPUBLISHED. RELEASED FOR PUBLICATION 20  
 © COPYRIGHT 20 BY TYCO ELECTRONICS CORPORATION. ALL RIGHTS RESERVED.

LOC	DIST	REVISIONS				
P	LTR	DESCRIPTION	DATE	DWN	APVD	
CM	0					
		01 REVISED PER ECR-10-010379	24MAY2010	HMR	JR	



CONTACT, 4 AWG, 1 REQD  
 TYCO PART NUMBER 1604040-1  
 MAY BE ORDERED SEPARATELY

HOUSING-SPRING SUB-ASSY, 1 REQD  
 TYCO PART NUMBER  
 1604062-1 THRU -5 (INCLUSIVE)  
 MAY BE ORDERED SEPARATELY

GREEN	1604395-5
RED	1604395-4
WHITE	1604395-3
BLACK	1604395-2
BLUE	1604395-1
HOUSING COLOR	KIT PART NO

**THIS PRODUCT HAS PASSED  
 VERIFICATION AND AGENCY  
 APPROVALS TESTING AND IS  
 COMPONENT RECOGNIZED PER  
 UL 1977. TYCO ELECTRONICS  
 PRODUCT QUALIFICATION TESTING  
 IS NOT YET COMPLETED.**



<small>THIS DRAWING IS A CONTROLLED DOCUMENT FOR TYCO ELECTRONICS CORPORATION          IT IS SUBJECT TO CHANGE AND THE CONTROLLING ENGINEERING ORGANIZATION          SHOULD BE CONTACTED FOR THE LATEST REVISION.</small>		DWN 9SEP2002 CHK Brent D. Yohn W.H. BERNHART 9SEP2002 APVD W.H. BERNHART 9SEP2002	Tyco Electronics Harrisburg, PA 17105-3608
DIMENSIONS: mm	TOLERANCES UNLESS OTHERWISE SPECIFIED: 0 PLC ±- 1 PLC ±0.4 2 PLC ±0.13 3 PLC ±0.050 4 PLC ±- ANGLES ±-	NAME W.H. BERNHART PRODUCT SPEC - APPLICATION SPEC - WEIGHT -	KIT, CONNECTOR, SERIES 180 AMP, WITH 4 AWG CONTACTS - SIZE CAGE CODE DRAWING NO RESTRICTED TO A3 00779 C-1604395 -
MATERIAL -	FINISH -	CUSTOMER DRAWING SCALE 2:1 SHEET 1 OF 1 REV 01	