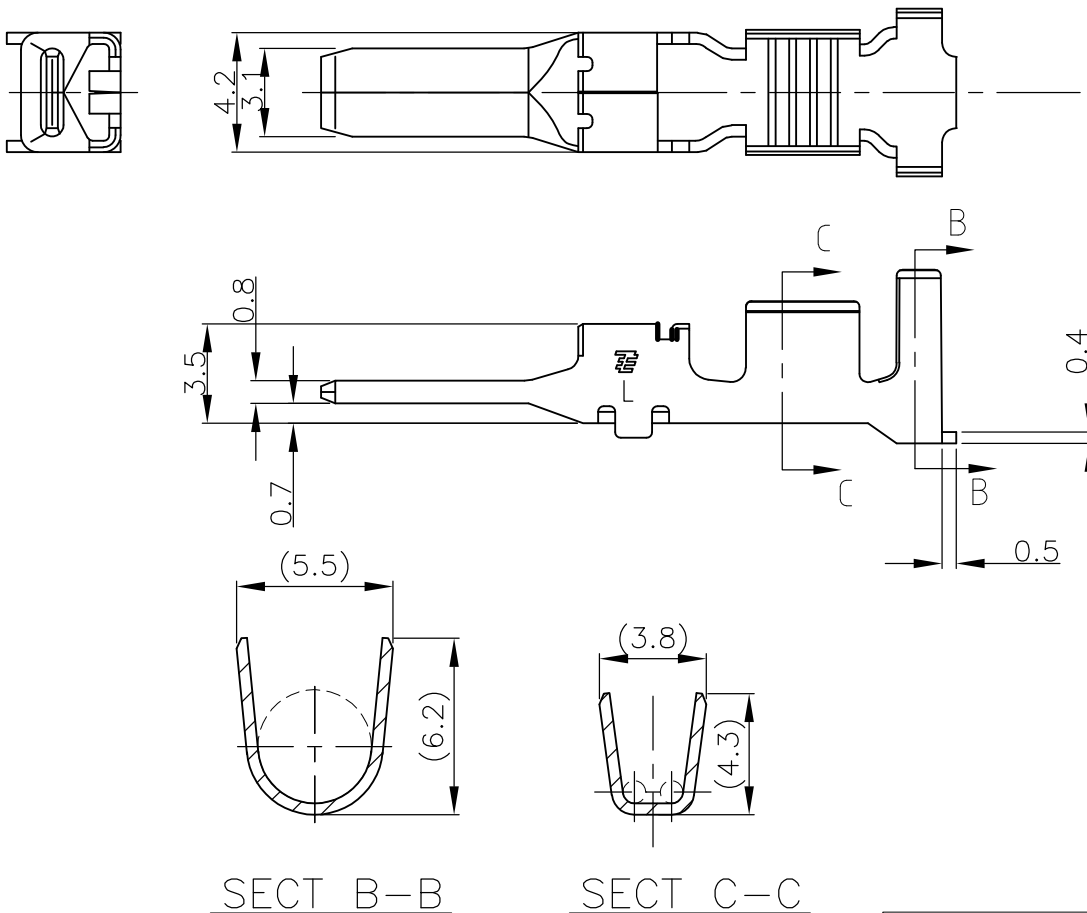


LOC	DIST	REVISIONS					
J	-	P	LTR	DESCRIPTION	DATE	DWN	APVD
		A		REVISED PER ECR-11-002599	08FEB2011	HMR	TM



- 注)
- 1.一般公差: ±0.25
 - 2.材料: 錫めっき済 銅合金
 - 3.適用電線: AWG#14-#12(被覆外径φ2.9~φ4.1)
- NOTES)
- 1.GENERAL TOLERANCE: ±0.25
 - 2.MATERIAL: PRE-TIN COPPER ALLOY
 - 3.APPLICABLE WIRE: AWG#14-#12 (INS DIA φ2.9~φ4.1)

L TYPE

1746974-1
PART NUMBER

THIS DRAWING IS UNPUBLISHED.

ALL RIGHTS RESERVED.
BY TYCO ELECTRONICS CORPORATION.

DIMENSIONS:	
MM	
TOLERANCES UNLESS OTHERWISE SPECIFIED: ????	
0 PLC	± -
1 PLC	± -
2 PLC	± -
3 PLC	± -
4 PLC	± -
ANGLES	± -

DWN	A.OISHI	17MAY2004
CHK	N.YAMASAKI	17MAY2004
APVD	S.MANABE	17MAY2004
PRODUCT SPEC	108-5979	
APPLICATION SPEC	114-5356	
WEIGHT	-	

MATERIAL		FINISH	
-		-	
Tyco Electronics AMP K.K. Kawasaki, Japan			
NAME			
GRACE INERTIA CONNECTOR 6.2MM PITCH TAB CONTACT (L TYPE)			
SIZE	CAGE CODE	DRAWING NO	RESTRICTED TO
A4	00779	C-1746974	-
CUSTOMER DRAWING		SCALE	SHEET
		4:1	1 OF 1
		REV	A