

4

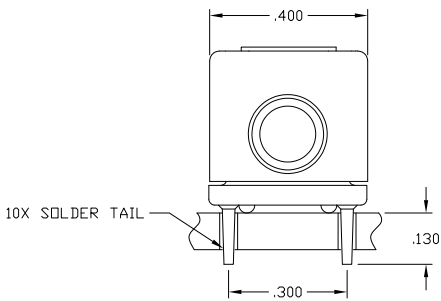
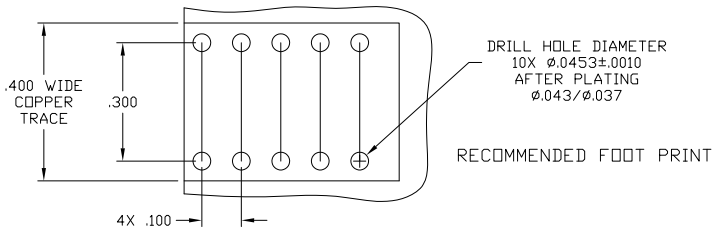
3

2

1

THIS DRAWING IS UNPUBLISHED. RELEASED FOR PUBLICATION
 © COPYRIGHT - By - ALL RIGHTS RESERVED.

LOC	DIST	REVISIONS			
P	LTR	DESCRIPTION	DATE	DWN	APVD
GP	00				
C		REV PER ECO-11-007678	11MAY2011	RG	DO

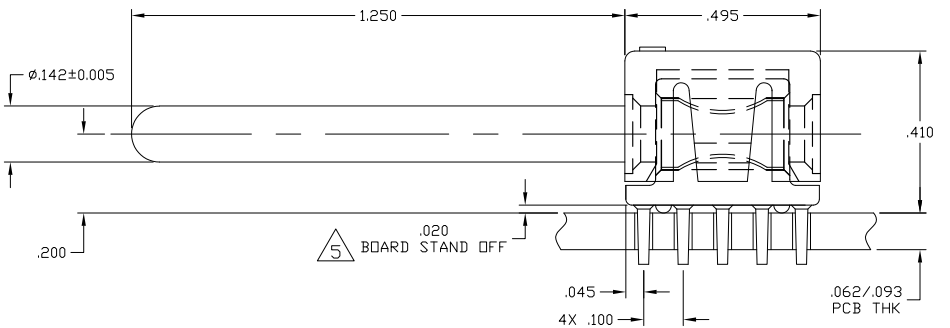


4. FINISHES:
 CROWN: GOLD PLATED, .000030 MIN THICK
 OVER NICKEL PLATED, .000040 MIN THICK.
 INSERT: SILVER PLATED, .000200 MIN THICK,
 OVER NICKEL PLATED, .000040 MIN THICK.
 CONTACT: SILVER PLATED, .000200 MIN THICK,
 OVER NICKEL PLATED, .000040 MIN THICK.

3. MATERIALS:
 HOUSING: THERMOPLASTIC, GLASS REINFORCED, COLOR-BLACK
 UL94V-0 FLAMMABILITY RATED
 INSERT: ZINC ALLOY, CASTING
 CROWN: COPPER ALLOY
 CONTACT: BRASS ALLOY

2. ITEMS PROVIDED TO THIS SPECIFICATION SHALL BE IDENTIFIED
 ON THE CONTAINER WITH THE FOLLOWING INFORMATION:
 PART NUMBER & DATE CODE OF MANUFACTURE.

1. PART NUMBER CHANGES AND OR DESIGN CHANGES AFFECTING ITEM
 INTERCHANGEABILITY REQUIRE PRIOR TE APPROVAL AND
 AUTHORIZATION BY REVISION TO THIS DRAWING.



5 A FIVE POUND (5lb) FORCE IS REQUIRED TO CORRECTLY SEAT THE CONNECTOR WITH PLATED THRU HOLES LESS THAN $\phi 0.040$ INCH.

6643434-1
 PART NUMBER

THIS DRAWING IS A CONTROLLED DOCUMENT.		DWN HA/GRZYBOWSKI 11JAN2011	TE Connectivity																		
DIMENSIONS: INCHES		CHK DORRIS			NAME FLICKINGER/ORRIS																
TOLERANCES UNLESS OTHERWISE SPECIFIED:		APVD FLICKINGER/ORRIS 11JAN2011	PRODUCT SPEC																		
<table border="1"> <tr><td>0</td><td>PLC</td><td>± .</td></tr> <tr><td>1</td><td>PLC</td><td>± .</td></tr> <tr><td>2</td><td>PLC</td><td>± .02</td></tr> <tr><td>3</td><td>PLC</td><td>± .010</td></tr> <tr><td>4</td><td>PLC</td><td>± .</td></tr> <tr><td colspan="2">ANGLES</td><td>± .5</td></tr> </table>		0	PLC	± .	1	PLC	± .	2	PLC	± .02	3	PLC	± .010	4	PLC	± .	ANGLES		± .5	APPLICATION SPEC	
0	PLC	± .																			
1	PLC	± .																			
2	PLC	± .02																			
3	PLC	± .010																			
4	PLC	± .																			
ANGLES		± .5																			
MATERIAL		WEIGHT	SIZE A3	CAGE CODE 00779																	
FINISH		RESTRICTED TO	DRAWING NO C-6643434																		
		CUSTOMER DRAWING	SCALE 4:1	SHEET 1 OF 1																	
			REV C																		