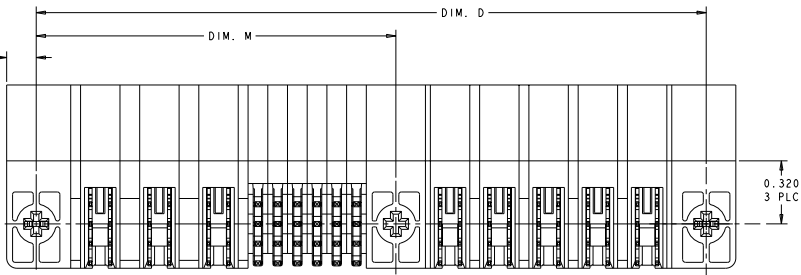
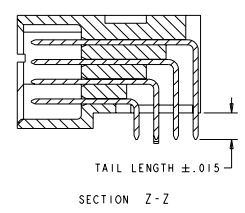
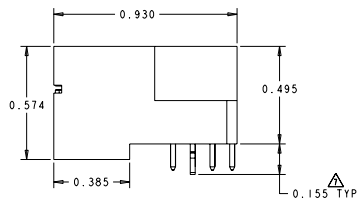
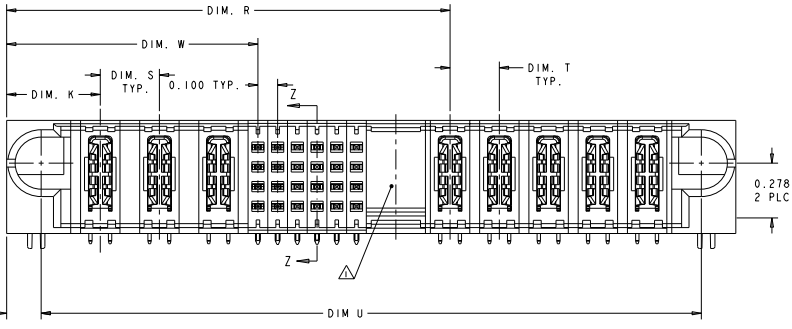
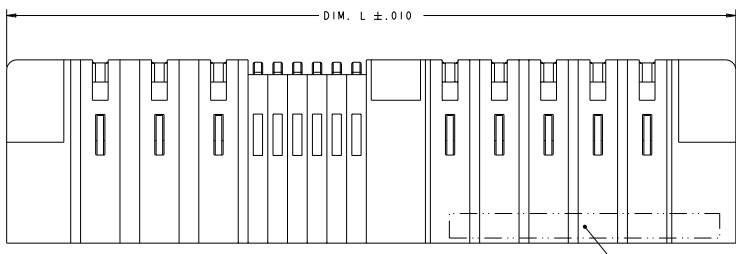


DATE SHOWN TO IMPROVISE: _____
 RECEIVED FOR FABRICATION: _____
 ALL RIGHTS RESERVED

REV	DATE	DESCRIPTION	BY	CHK	APP
ES	00				
L5		ADDED THE DASH NO -97	08/02/11	ML	SZ
L6		REVISED	11/02/11	ML	SZ
L7		ADD NEW DASH NUMBER -98	04/02/11	LM	SZ
L8		ADD NEW DASH NUMBER -99	04/02/11	LM	SZ



THIS DRAWING IS A CONTROLLED DOCUMENT. **TE CONNECTIVITY**

DATE: 08/21/11	BY: M. FLECHNER	APP: M. FLECHNER	REV: 00
DATE: 08/21/11	BY: M. FLECHNER	APP: M. FLECHNER	REV: 00
DATE: 08/21/11	BY: M. FLECHNER	APP: M. FLECHNER	REV: 00
DATE: 08/21/11	BY: M. FLECHNER	APP: M. FLECHNER	REV: 00

RIGHT ANGLE HEADER ASSEMBLY W/GUIDES MULTI-BEAM XL

STATE: CA CASE NUMBER: 6450130

DATE: 00779 © 6450130

CUSTOMER DRAWING

REV	DATE	DESCRIPTION	BY	CHK	APP
00	ES	SEE SHEET 1			

- △ OPTIONAL CENTER MODULE WITH Ø.150 THRU HOLE OR HOLD DOWN FEATURE.
- △ "AMP", PART NUMBER, AND DATE CODE TO BE MARKED IN AREA SHOWN.
- △ MATERIAL: HOUSING - GLASS FILLED HIGH TEMP THERMO PLASTIC, UL94 V-0 SIGNAL CONTACT - COPPER ALLOY POWER CONTACT - HIGH CONDUCTIVITY COPPER ALLOY
- △ CONTACT PLATING: NICKEL UNDERPLATED ALL OVER, .000030 MIN GOLD IN MATING AREA, AND Sn AT CONTACT TAILS.
- △ MECHANICAL CONNECTOR KEEP OUT ZONE.
- △ DATUM AND BASIC DIMENSIONS ESTABLISHED BY CUSTOMER.
- △ HOLD DOWN SEATING DEPTH DIMENSION FOR 6450130-4 IS .185 TYP
- △ PCB - ALL HOLE DIAMETERS ARE FINISHED HOLE SIZES.
- △ PCB - .0453 +/- .0010 DRILLED HOLES PLATES WITH .0003 MIN Sn OVER .001 TO .003 Cu PLATING TO ACHIEVE A .040±.003 DIA HOLE.
- △ VARIABLE DIMS. SHOWN ON VIEW

DIM U	DIM S	DIM T	DIM R	DIM W	DIM D	DIM M	DIM L	DIM K	DESCRIPTION	PART NUMBER
2.350	.250	.250	1.250	.875	2.400	-	2.700	.450	2P + 12S + 5P	9-6450130-2
2.400	.250	.250	1.800	1.125	2.450	-	2.750	.450	3P + 24S + 3P	9-6450130-0
1.200	-	-	1.100	.625	1.250	-	1.550	.450	1P + 16S + 1P	8-6450130-9
1.900	.250	.250	1.550	.875	1.950	-	2.250	.450	2P + 24S + 2P	8-6450130-8
2.900	.250	.250	2.550	.875	2.950	-	3.250	.450	2P + 64S + 2P	8-6450130-7
2.400	.250	.250	1.800	1.125	2.450	-	2.750	.450	3P + 24S + 3P	8-6450130-6
1.300	-	-	1.200	.675	1.350	-	1.650	.450	1P + 16S + 1P	8-6450130-5
2.800	.250	.250	1.700	1.125	2.850	-	3.150	.450	3P + 20S + 5P	8-6450130-4
2.800	.250	.300	2.075	1.375	2.850	-	3.150	.450	4P + 24S + 3ACP	8-6450130-2
2.850	.250	.250	2.500	1.875	2.900	-	3.200	.450	6P + 20S + 2P	8-6450130-0
2.600	.250	.250	2.250	1.625	2.650	-	2.950	.450	5P + 20S + 2P	7-6450130-9
2.400	.250	.250	1.800	1.125	2.450	-	2.750	.450	3P + 24S + 3P	7-6450130-8
4.800	.250	.250	3.450	1.875	4.850	-	5.150	.450	6P + 60S + 6P	7-6450130-7
3.050	.300	.250	1.950	1.275	3.100	-	3.400	.475	3ACP + 24S + 5P	7-6450130-6
2.400	.250	.250	1.800	1.125	2.450	-	2.750	.450	3P + 24S + 3P	7-6450130-5
6.250	.250	△	5.050	4.375	6.300	-	6.600	.450	16P + 24S + 2P + 3ACP	7-6450130-4
2.500	.250	.250	2.150	.875	2.550	-	2.850	.450	2P + 48S + 2P	6-6450130-9
1.900	.250	.250	1.550	.875	1.950	-	2.250	.450	2P + 24S + 2P	6-6450130-7
2.500	.250	.250	2.150	1.425	2.550	-	2.850	.450	4P + 24S + 2P	5-6450130-8
6.300	△	△	3.925	3.275	6.350	-	6.650	.425	14P + 24S + 12P	5-6450130-6
3.100	.200	.200	2.225	1.375	3.150	-	3.450	.425	5P + 32S + 5P	5-6450130-5
2.300	.300	.250	1.950	1.275	2.350	-	2.650	.450	3ACP + 24S + 2P	5-6450130-1
4.000	.300	.300	2.675	1.925	4.050	-	4.350	.475	5ACP + 24S + 5ACP	5-6450130-0
3.000	.250	.250	2.150	1.425	3.050	-	3.350	.450	4P + 24S + 4P	4-6450130-9
3.300	.250	.250	2.450	1.375	3.350	-	3.650	.450	4P + 40S + 4P	4-6450130-8
3.100	.200	.200	2.225	1.375	3.150	-	3.450	.425	5P + 32S + 5P	4-6450130-5
2.100	.300	.250	1.750	1.275	2.150	-	2.450	.475	3ACP + 16S + 2P	4-6450130-3
1.900	.250	.250	1.550	.875	1.950	-	2.250	.450	2P + 24S + 2P	4-6450130-2
2.100	.200	.200	1.425	1.175	2.150	-	2.450	.425	4P + 8S + 4P	4-6450130-0
2.100	.300	.250	1.750	1.275	2.150	-	2.450	.475	3ACP + 16S + 2P	3-6450130-9
4.675	.250	.300	3.950	3.375	4.725	-	5.025	.450	12P + 20S + 3ACP	3-6450130-6
3.500	.250	.250	2.900	1.625	3.550	-	3.850	.450	5P + 48S + 3P	3-6450130-2
1.900	.250	.250	1.550	.875	1.950	-	2.250	.450	2P + 24S + 2P	2-6450130-9
3.250	.250	.250	2.900	1.125	3.300	-	3.600	.450	3P + 68S + 2P	2-6450130-8
2.300	.300	.250	1.950	1.275	2.350	-	2.650	.475	3ACP + 24S + 2P	2-6450130-6
2.600	.200	.200	1.925	1.175	2.650	-	2.950	.425	4HDP + 28S + 4HDP	2-6450130-4
3.200	.200	.200	2.125	1.575	3.250	-	3.550	.425	6P + 20S + 6P	2-6450130-3
2.800	.250	.300	2.075	1.375	2.850	-	3.150	.450	4P + 24S + 3ACP	2-6450130-2
3.500	.200	.200	2.225	1.775	3.550	-	3.850	.425	7P + 16S + 7P	2-6450130-1
5.450	△	△	3.075	2.425	5.500	-	5.800	.425	10P + 24S + 12P	2-6450130-0
4.400	.250	.250	4.050	.875	4.450	-	4.750	.450	2P + 124S + 2P	1-6450130-9
4.275	△	.250	3.175	2.500	4.325	-	4.625	.475	2ACP + 6P + 24S + 5P	1-6450130-8
1.900	.250	.250	1.550	.875	1.950	-	2.250	.450	2P + 24S + 2P	1-6450130-7
3.300	.300	.250	1.950	1.275	3.350	-	3.650	.475	3ACP + 24S + 6P	1-6450130-4
4.050	.250	-	3.950	.875	4.100	-	4.400	.450	2P + 120S + 1P	1-6450130-3
3.250	.250	-	3.150	.875	3.300	-	3.600	.450	2P + 88S + 1P	1-6450130-2
1.400	-	-	1.300	.625	1.450	-	1.750	.450	1P + 24S + 1P	1-6450130-1
2.900	.250	.250	2.550	.875	2.950	-	3.250	.450	2P + 64S + 2P	1-6450130-0
2.550	.250	.300	1.825	1.125	2.600	-	2.900	.450	3P + 24S + 3ACP	6450130-9
2.675	.200	.200	2.375	1.650	2.725	-	3.025	.450	5P + 24S + 2P	6450130-8
3.650	.250	.250	2.550	1.875	3.700	-	4.000	.450	6P + 24S + 5P	6450130-7
2.400	.250	.250	1.800	1.125	2.450	-	2.750	.450	3P + 24S + 3P	6450130-6
4.350	.250	.250	3.500	2.625	4.400	-	4.700	.450	3P + 32S + 4P	6450130-5
2.800	.250	.300	2.075	1.375	2.850	-	3.150	.450	4P + 24S + 3ACP	6450130-4
3.050	.300	.250	1.950	1.275	3.100	-	3.400	.475	3ACP + 24S + 5P	6450130-3
2.550	.300	.250	2.200	1.525	2.600	-	2.900	.475	3ACP + 1P + 24S + 2P	6450130-2
3.650	.300	.250	2.550	1.275	3.700	-	4.000	.475	3ACP + 48S + 5P	6450130-1

DIM U	DIM S	DIM T	DIM R	DIM W	DIM D	DIM M	DIM L	DIM K	DESCRIPTION	PART NUMBER
1.600	-	-	1.500	.625	1.650	-	1.950	.450	1P + 32S + 1P	9-6450130-9
2.400	.250	.250	1.550	.875	2.450	-	2.750	.450	2P + 24S + 4P	9-6450130-8
2.400	.250	.250	1.800	1.125	2.450	-	2.750	.450	3P + 24S + 3P	9-6450130-7
1.300	-	-	1.200	.625	1.350	-	1.650	.450	1P + 20S + 1P	9-6450130-6
2.300	.250	.300	1.575	.875	2.350	-	2.650	.450	2P + 24S + 3ACP	9-6450130-5
2.800	.250	.300	2.075	1.375	2.850	-	3.150	.450	4P + 24S + 3ACP	9-6450130-4
1.700	.250	.250	1.350	.875	1.750	-	2.050	.450	2P + 16S + 2P	9-6450130-3

THIS DRAWING IS A CONTROLLED DOCUMENT.

INCHES: 0.0005 INCHES (0.0127MM)

DATE: 10/11/03

REV: 00

DESCRIPTION: TIGHT ANGLE HEADER ASSEMBLY W/GUIDES MULTI-BEAM XL

PART NUMBER: 6450130

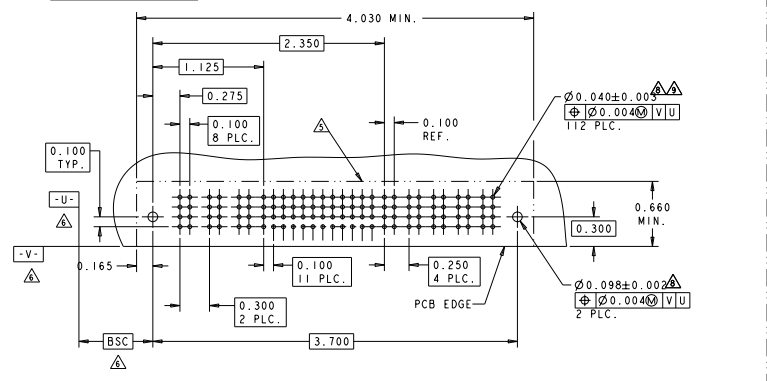
CUSTOMER DRAWING: 00779

DATE: 10/11/03

REV: 00

SHEET: 1 OF 1

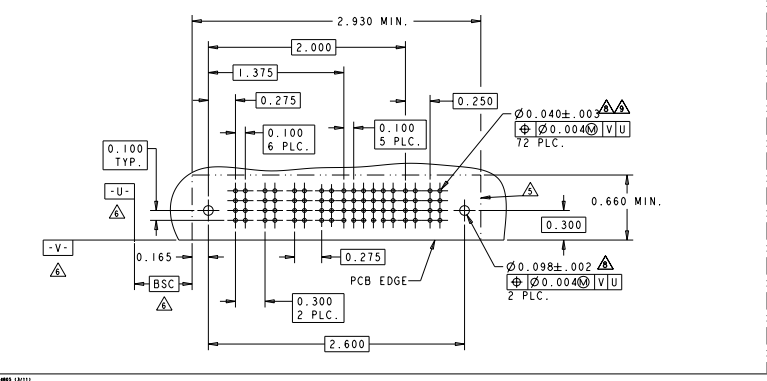
PART NUMBER	ROWS	POWER			SIGNAL								POWER								
		P1	P2	P3	1	2	3	4	5	6	7	8	9	10	11	12	P4	P5	P6	P7	P8
6450130-1	D C B A	PM	PM	PM	J	J	J	J	J	J	J	J	J	J	J	PM	PM	PM	PM		
3ACP + 48S + 5P																					



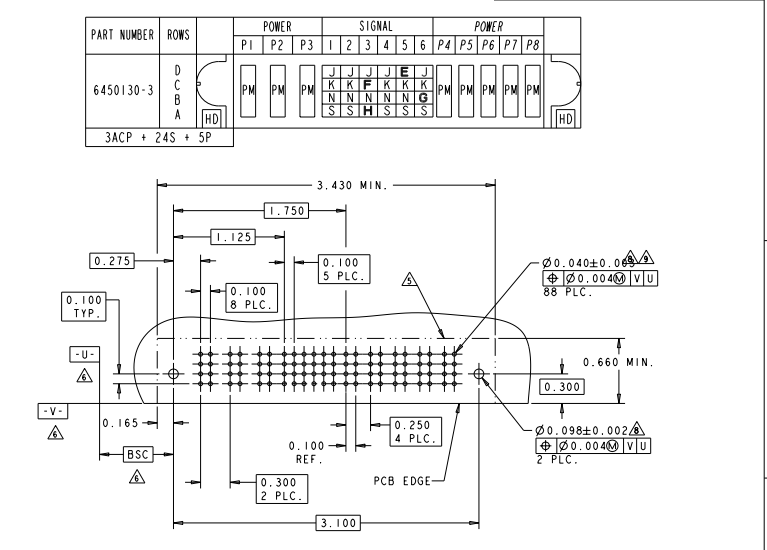
PART NUMBER	ROWS	POWER			SIGNAL						POWER		
		P1	P2	P3	P4	1	2	3	4	5	6	P5	P6
6450130-2	D C B A	PM	PM	PM	E	J	J	J	J	E			
3ACP + 1P + 24S + 2P													

NO CONTACT LOADED

.275 REF.



PART NUMBER	ROWS	POWER			SIGNAL						POWER			
		P1	P2	P3	1	2	3	4	5	6	P4	P5	P6	P7
6450130-3	D C B A	PM	PM	PM	J	J	J	J	E	J				
3ACP + 24S + 5P														



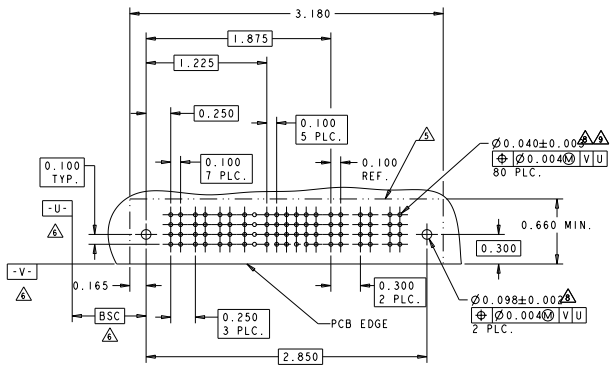
CODE	TAIL LENGTH	DESCRIPTION
PM	.135	MULTI-BEAM
PA	.090	MULTI-BEAM

CODE	MATING SEQUENCE	TAIL LENGTH	ROW
Z	STD	.090	D
Y	STD	.090	C
R	STD	.090	B
O	STD	.090	A
A4	MLBF	.090	D
A3	MLBF	.090	C
A2	MLBF	.090	B
A1	MLBF	.090	A
E	MLBF	.135	D
F	MLBF	.135	C
G	MLBF	.135	B
H	MLBF	.135	A
J	STD	.135	D
K	STD	.135	C
N	STD	.135	B
S	STD	.135	A

THIS DRAWING IS A CONTROLLED DOCUMENT. DATE: 11/14/2008. DRAWN BY: J. B. BUCHHEIT. CHECKED BY: J. B. BUCHHEIT. APPROVED BY: J. B. BUCHHEIT. PART NUMBER: 6450130. REV: 1.0. MATERIAL: 114-13038. CUSTOMER DRAWING: A.00779. DATE CODE: 6450130. DRAWN TO: 114-13038. SHEET: 1 OF 1. TOTAL SHEETS: 1. PART NUMBER: 6450130. REV: 1.0. MATERIAL: 114-13038. CUSTOMER DRAWING: A.00779. DATE CODE: 6450130. DRAWN TO: 114-13038. SHEET: 1 OF 1. TOTAL SHEETS: 1. PART NUMBER: 6450130. REV: 1.0. MATERIAL: 114-13038. CUSTOMER DRAWING: A.00779. DATE CODE: 6450130. DRAWN TO: 114-13038. SHEET: 1 OF 1. TOTAL SHEETS: 1.

PART NUMBER	ROWS	POWER			SIGNAL						POWER		
		P1	P2	P3	1	2	3	4	5	6	P5	P6	P7
6450130-4	D				J	J	J	J	J	J			
	C				K	K	K	K	K	K			
	B				N	N	N	N	N	N			
A				S	S	S	S	S	S	H			

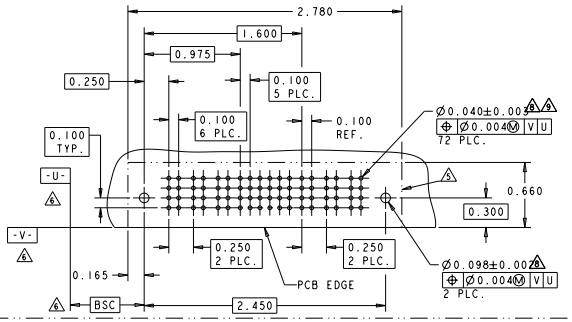
4P + 24S + 3ACP



REV	ES	DESCRIPTION	DATE	BY	CHK
00		SEE SHEET 1			

PART NUMBER	ROWS	POWER			SIGNAL						POWER		
		P1	P2	P3	1	2	3	4	5	6	P4	P5	P6
6450130-6	D				J	J	J	J	J	J			
	C				K	K	K	K	K	K			
	B				N	N	N	N	N	N			
A				S	S	S	S	S	S				

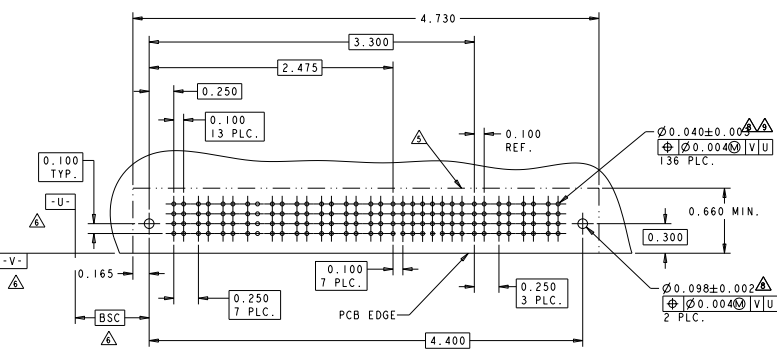
3P + 24S + 3P



NO CONTACT LOADED

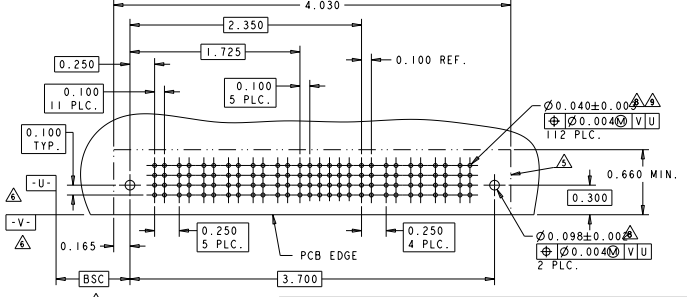
PART NUMBER	ROWS	POWER									SIGNAL								POWER			
		P1	P2	P3	P4	P5	P6	P7	P8	P9	1	2	3	4	5	6	7	8	P10	P11	P12	P13
6450130-5	D										J	J	J	J	J	J	J	J				
	C									K	K	K	K	K	K	K	K	K				
	B									N	N	N	N	N	N	N	N	N				
A										S	S	S	S	S	S	S	S					

9P + 32S + 4P



PART NUMBER	ROWS	POWER						SIGNAL						POWER				
		P1	P2	P3	P4	P5	P6	1	2	3	4	5	6	P7	P8	P9	P10	P11
6450130-7	D							J	J	J	J	J	J					
	C							K	K	K	K	K	K					
	B							N	N	N	N	N	N					
A							S	S	S	S	S	S						

6P + 24S + 5P



THIS DRAWING IS A CONTROLLED DOCUMENT. DATE: 08/20/2018

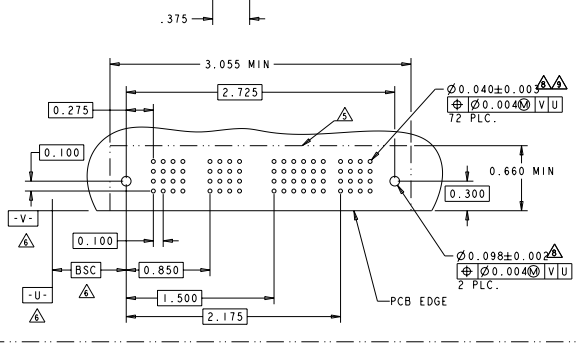
DESIGNED BY: J. M. FLECHNER	APPROVED BY: J. M. FLECHNER	DATE: 08/20/2018
DRAWN BY: J. M. FLECHNER	CHECKED BY: J. M. FLECHNER	DATE: 08/20/2018
SCALE: 1:1	UNIT: INCHES	PROJECT: 116-13038

TE Connectivity
RIGHT ANGLE HEADER ASSEMBLY W/GUIDES MULTI-BEAM XL

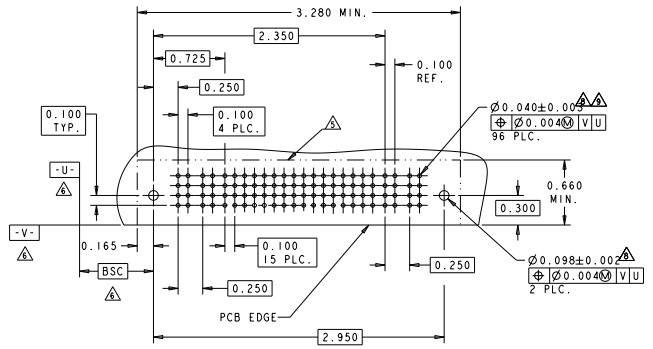
STATE: CA
CITY: SAN JOSE
ZIP: 95134
PART NUMBER: 6450130
CUSTOMER DRAWING

REV	DATE	DESCRIPTION	BY	CHK
ES	00	SEE SHEET 1		

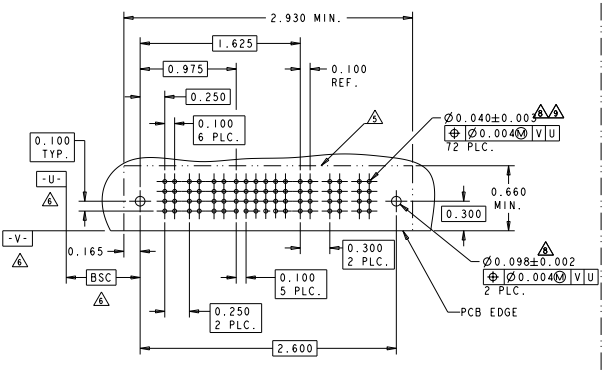
PART NUMBER	ROWS	POWER			SIGNAL						POWER			
		P1	P2	P3	P4	P5	1	2	3	4	5	6	P6	P7
6450130-8	D						J	J	J	J	J			
	C						K	K	K	K	K			
	B						N	N	N	N	N	G		
A							S	S	S	S	S			



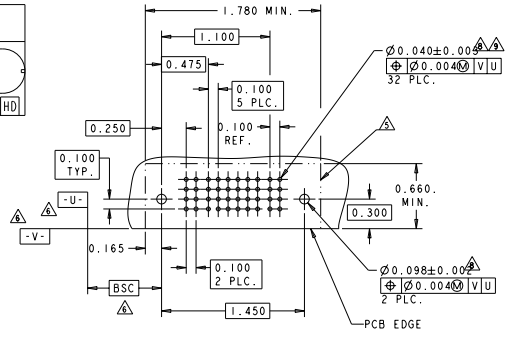
PART NUMBER	ROWS	POWER		SIGNAL													POWER						
		P1	P2	1	2	3	4	5	6	7	8	9	10	11	12	13	14	15	16	P3	P4		
1-6450130-0	D			A	4	A	4	A	4	A	4	A	4	A	4	A	4	A	4	A	4		
	C			A	3	A	3	A	3	A	3	A	3	A	3	A	3	A	3	A	3		
	B			A	2	A	2	A	2	A	2	A	2	A	2	A	2	A	2	A	2		
A			A	1	A	1	A	1	A	1	A	1	A	1	A	1	A	1	A	1			



PART NUMBER	ROWS	POWER			SIGNAL						POWER			
		P1	P2	P3	1	2	3	4	5	6	P4	P5	P6	
6450130-9	D				Z	A	4	A	4	A	4			
	C				Y	A	3	A	3	A	3			
	B				R	A	2	A	2	A	2			
A				O	A	1	A	1	A	1				



PART NUMBER	ROWS	POWER		SIGNAL						POWER		
		P1	P2	1	2	3	4	5	6	P2		
1-6450130-1	D			A	4	A	4	A	4	A		
	C			A	3	A	3	A	3	A		
	B			A	2	A	2	A	2	A		
A			A	1	A	1	A	1	A			

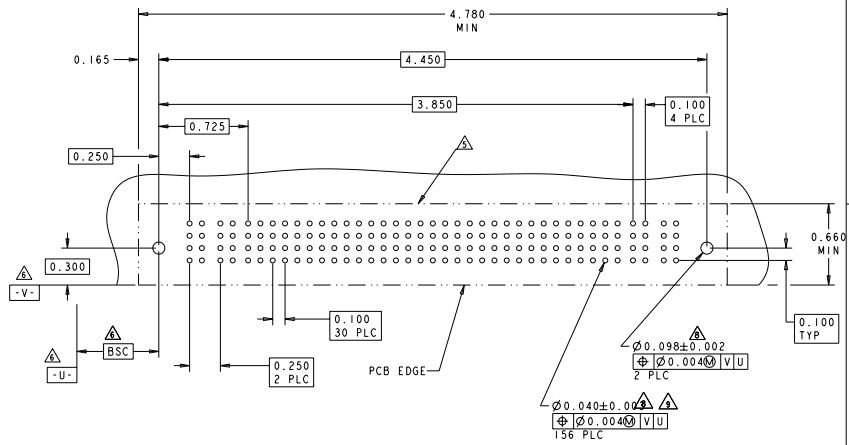
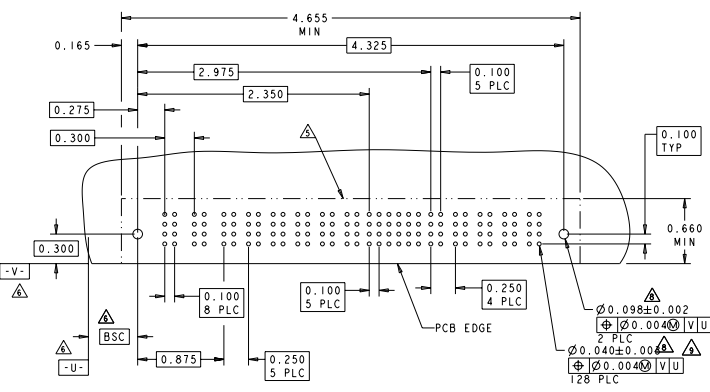


THIS DRAWING IS A CONTROLLED DOCUMENT. DATE: 11/14/00. REV: 00. PART NUMBER: 6450130-8. DRAWING TITLE: RIGHT ANGLE HEADER ASSEMBLY W/GUIDES MULTI-BEAM XL. CUSTOMER DRAWING: A100779. DATE CODE: 000000. PART NUMBER: 6450130. SHEET: 1 OF 1. TOTAL SHEETS: 1. DRAWN BY: [REDACTED]. CHECKED BY: [REDACTED].

REV	DATE	DESCRIPTION	BY	CHKD
ES	00	SEE SHEET 1		

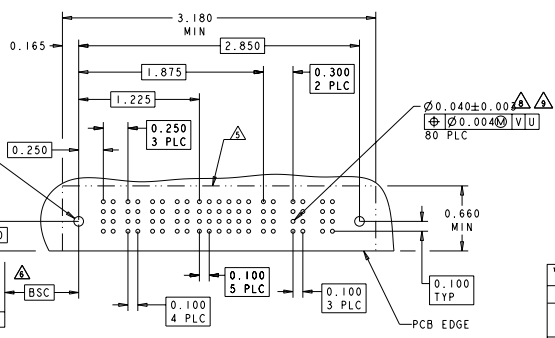
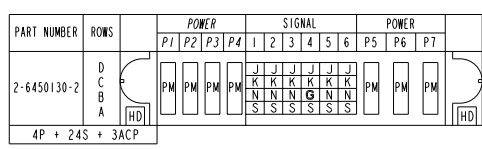
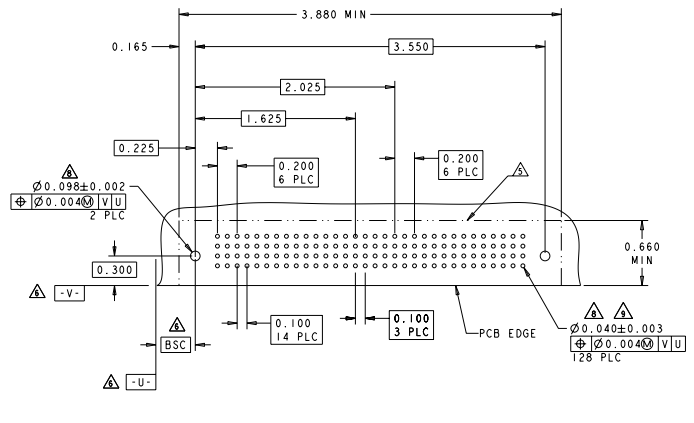
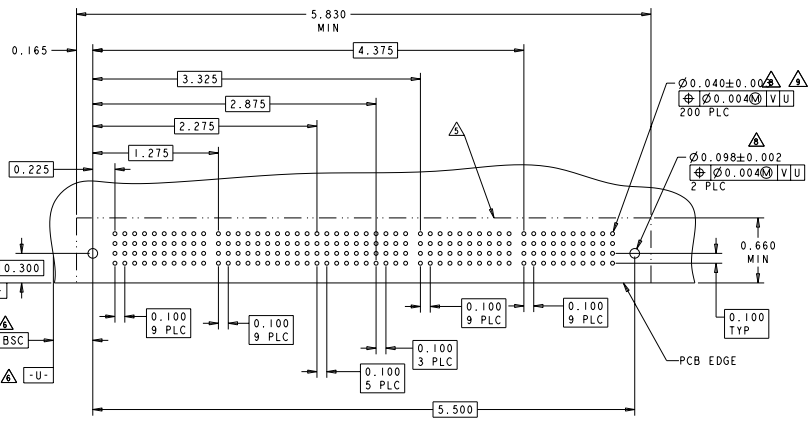
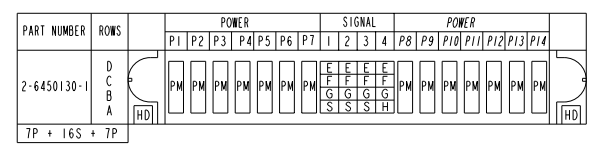
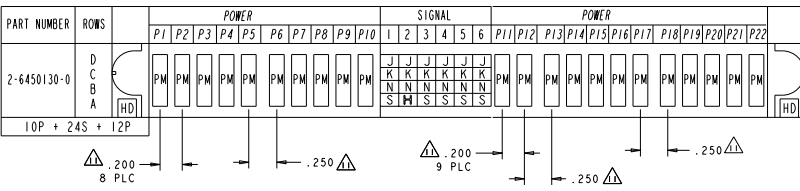
PART NUMBER	ROWS	POWER							SIGNAL							POWER						
		P1	P2	P3	P4	P5	P6	P7	1	2	3	4	5	6	P9	P10	P11	P12	P13			
1-6450130-8	D C B A	PM	PM	PM	PM	PM	PM	PM	E	J	J	J	J	E	PM	PM	PM	PM	PM			
		2ACP + 6P + 24S + 5P							H T S S S H													

PART NUMBER	ROWS	POWER		SIGNAL																															POWER			
		P1	P2	1	2	3	4	5	6	7	8	9	10	11	12	13	14	15	16	17	18	19	20	21	22	23	24	25	26	27	28	29	30	31	P3	P4		
1-6450130-9	D C B A	PA	PA	A1	A1	A1	A1	A1	A1	A1	A1	A1	A1	A1	A1	A1	A1	A1	A1	A1	A1	A1	A1	A1	A1	A1	A1	A1	A1	A1	A1	A1	A1	A1	A1	A1	PA	PA
		2P + 124S + 2P																																				



THIS DRAWING IS A CONTROLLED DOCUMENT.		DATE: 02/28/2005	REV: 002005		TE Connectivity
DRAWING: 00779-02/28/05 INCHES: 0.100 SCALE: 1:1 MATERIAL:	DESIGNED BY: J. FLECHNER CHECKED BY: J. FLECHNER DATE: 02/28/05 REV: 002005	PART NUMBER: 00779-02/28/05 TITLE: TIGHT ANGLE HEADER ASSEMBLY W/GUIDES MULTI-BEAM XL	DRAWING NO: 100-1013 SPECIFICATION NO: 116-13038 REV: 00779-02/28/05		DATE: 02/28/05 DRAWN BY: J. FLECHNER CHECKED BY: J. FLECHNER DATE: 02/28/05

REV	DATE	DESCRIPTION	BY	CHK
ES	00	SEE SHEET 1		



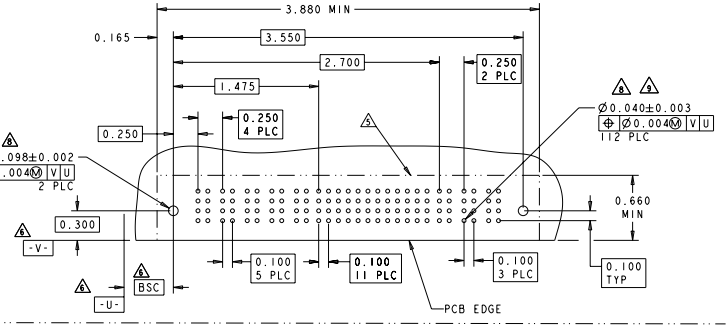
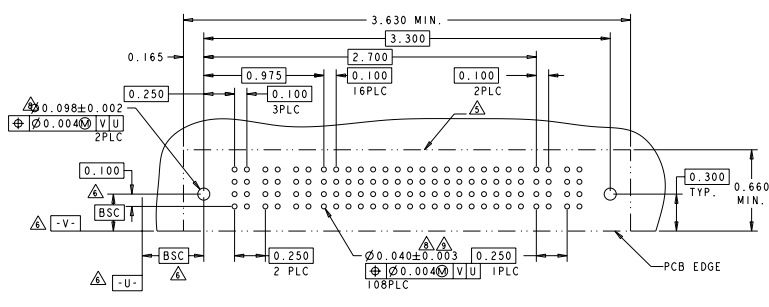
THIS DRAWING IS A CONTROLLED DOCUMENT.		REV. 000	DATE 08/2005	BY M. FLECHNER	CHK. M. FLECHNER
INCHES	CONVERSION: 1 INCH = 25.4 MM	REV. 000	DATE 08/2005	BY M. FLECHNER	CHK. M. FLECHNER
MATERIAL: 1.60mm ALUMINUM			REV. 000	DATE 08/2005	BY M. FLECHNER
DRAWING: 2-6450130-0		REV. 000	DATE 08/2005	BY M. FLECHNER	CHK. M. FLECHNER
CUSTOMER DRAWING		REV. 000	DATE 08/2005	BY M. FLECHNER	CHK. M. FLECHNER

TE Connectivity
RIGHT ANGLE HEADER ASSEMBLY W/GUIDES MULTI-BEAM XL
STATE CASE CODE DRAWING NO. 116-13038
A | 00779 | 6450130
PAGE 4-11 OF 26

REV	DATE	DESCRIPTION	BY	CHK
00	ES	SEE SHEET 1		

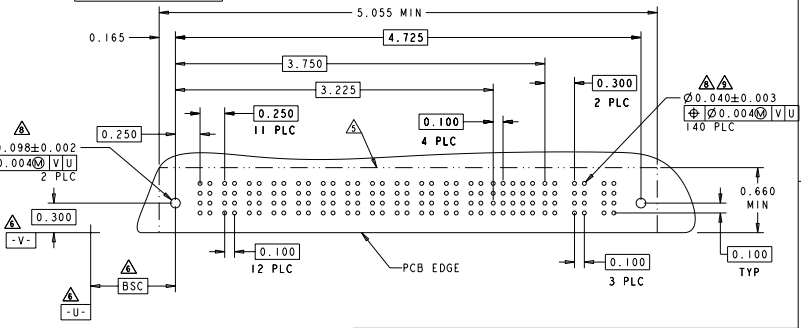
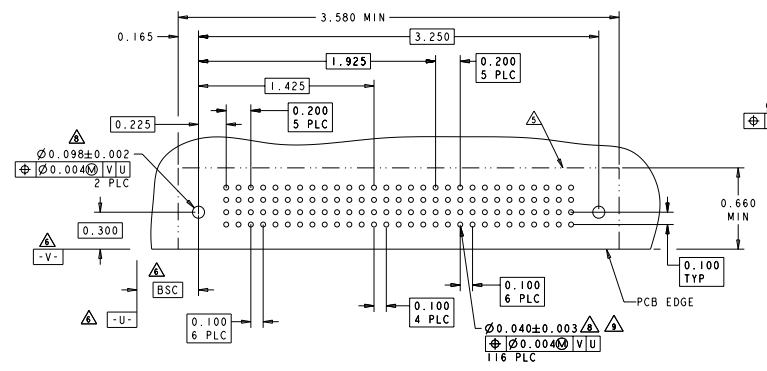
PART NUMBER	ROWS	POWER				SIGNAL											POWER									
		P1	P2	P3	P4	1	2	3	4	5	6	7	8	9	10	11	12	13	14	15	16	17	P4	P5		
2-6450130-8	D					J	J	J	J	J	J	J	J	J	J	J	J	J	J	J	J	J	J			
	C					K	K	K	K	K	K	K	K	K	K	K	K	K	K	K	K	K	K			
	B					N	N	N	N	N	N	N	N	N	N	N	N	N	N	N	N	N	N			
A					S	S	S	S	S	S	S	S	S	S	S	S	S	S	S	S	S	S				
		3P + 68S + 2P																								

PART NUMBER	ROWS	POWER					SIGNAL											POWER								
		P1	P2	P3	P4	P5	1	2	3	4	5	6	7	8	9	10	11	12	P6	P7	P8					
3-6450130-2	D						J	J	J	J	J	J	J	J	J	J	J	J	J	J	J	J				
	C						K	K	K	K	K	K	K	K	K	K	K	K	K	K	K	K				
	B						N	N	N	N	N	N	N	N	N	N	N	N	N	N	N	N				
A						H	S	S	S	S	S	S	S	S	S	S	S	S	S	S	S	H				
		5P + 48S + 3P																								



PART NUMBER	ROWS	POWER					SIGNAL						POWER					
		P1	P2	P3	P4	P5	1	2	3	4	5	P7	P8	P9	P10	P11	P12	
2-6450130-3	D						E	J	J	J	J							
	C						F	K	K	K	K							
	B						G	N	N	N	N							
A						H	S	S	S	S	H							
		6P + 20S + 6P																

PART NUMBER	ROWS	POWER												SIGNAL					POWER							
		P1	P2	P3	P4	P5	P6	P7	P8	P9	P10	P11	P12	1	2	3	4	5	P13	P14	P15					
3-6450130-6	D																									
	C																									
	B																									
A																										
		12P + 20S + 3ACP																								



THIS DRAWING IS A CONTROLLED DOCUMENT. DATE: 07/2005. REV: 002005. **TE Connectivity**

STANDARD: MIL-STD-883C. PART: 100-1013. MANUFACTURE: 07/2005. **RIGHT ANGLE HEADER ASSEMBLY W/GUIDES MULTI-BEAM XL**

REVISION: 1. DATE: 07-13-08. BY: 116-13038. CHECKED: 116-13038. CUSTOMER DRAWING: A | 00779 | 6450130. SHEET: 1 | 9 | 26 | 10 | 8

REV	DATE	DESCRIPTION	BY	CHKD
ES	00	SEE SHEET 1		

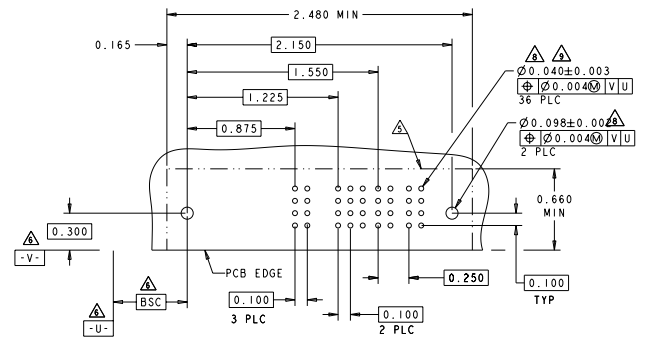
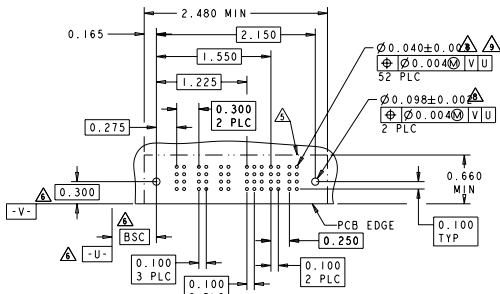
PART NUMBER	ROWS	POWER			SIGNAL				POWER	
		P1	P2	P3	1	2	3	4	P4	P5
3-6450130-9	D C B A	PM	PM	PM	J	J	J	J	PM	PM
					K	K	K	K		
					N	N	N	N		
					S	S	S	S		
		[HD]								[HD]

3ACP + 16S + 2P

CONTACTS NOT LOADED

PART NUMBER	ROWS	POWER			SIGNAL				POWER	
		P1	P2	P3	1	2	3	4	P4	P5
4-6450130-3	D C B A			PM	J	J	J	J	PM	PM
					K	K	K	K		
					N	N	N	N		
					S	S	S	S		
		[HD]								[HD]

3ACP + 16S + 2P

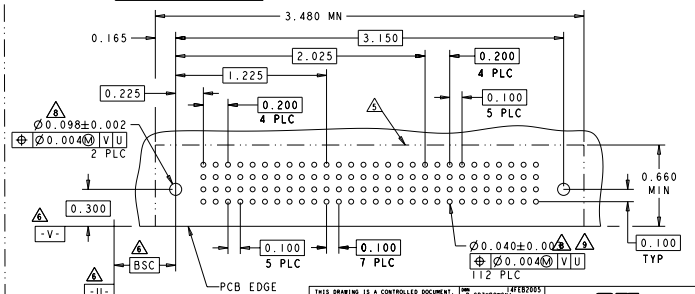
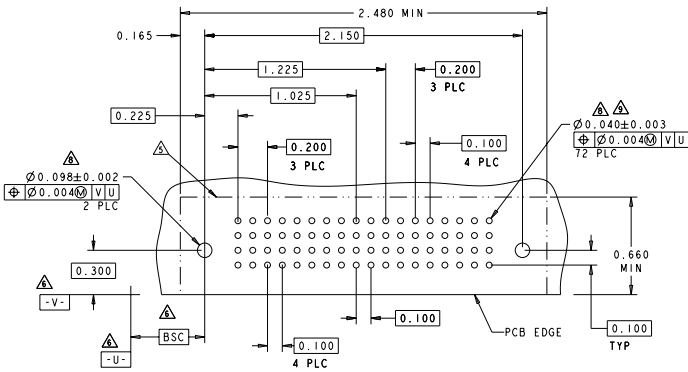


PART NUMBER	ROWS	POWER				SIGNAL				POWER			
		P1	P2	P3	P4	1	2	P5	P6	P7	P8	P9	P10
4-6450130-0	D C B A	PA	PA	PA	PA	Z	Z	Y	Y	PA	PA	PA	PA
						R	R	O	O				
		[HD]										[HD]	

4P + 8S + 4P

PART NUMBER	ROWS	POWER				SIGNAL								POWER					
		P1	P2	P3	P4	P5	1	2	3	4	5	6	7	8	P6	P7	P8	P9	P10
4-6450130-5	D C B A	PM	PM	PM	PM	PM	J	J	J	J	J	J	J	J	PM	PM	PM	PM	PM
							K	K	K	K	K	K	K	K					
							N	N	N	N	N	N	N	N					
							H	H	H	H	H	H	H	H					
		[HD]																	

5P + 32S + 5P



THIS DRAWING IS A CONTROLLED DOCUMENT. DATE: FEB2005

DRAWING: 0000000205
 INCHES: 100-1913
 MATERIAL: 114-13038

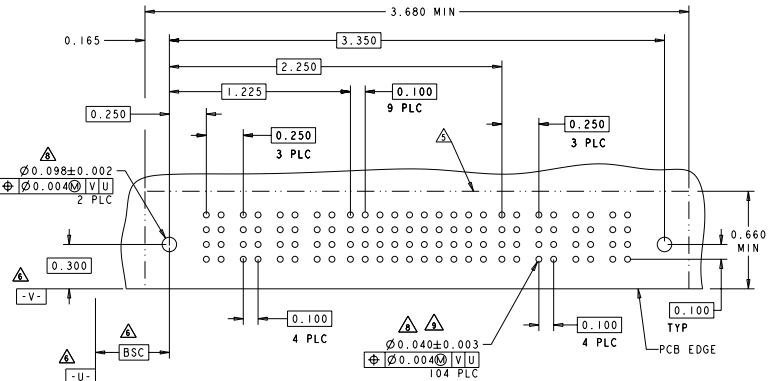
TE CONNECTIVITY
 RIGHT ANGLE HEADER ASSEMBLY W/GUIDES
 MULTI-BEAM XL

SIZE: 114-13038
 PART NUMBER: 4-6450130
 CUSTOMER DRAWING

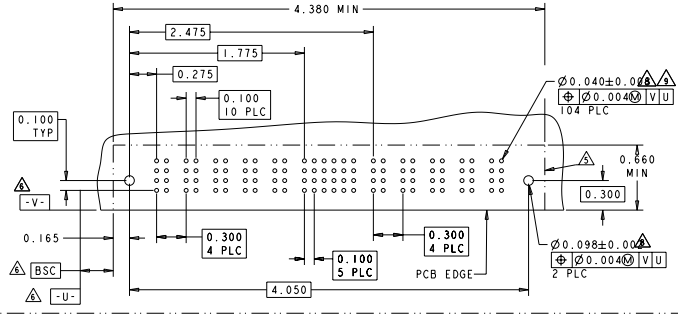
DATE: 00779
 SHEET: 1 OF 1

REV	DATE	DESCRIPTION	BY	CHKD
00	ES	SEE SHEET 1		

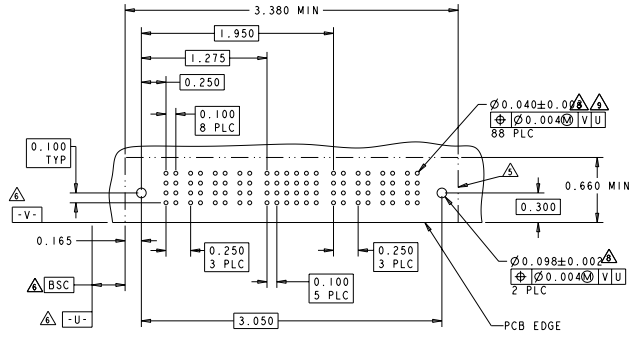
PART NUMBER	ROWS	POWER				SIGNAL										POWER							
		P1	P2	P3	P4	1	2	3	4	5	6	7	8	9	10	P5	P6	P7	P8				
4-6450130-8	D C B A	PM	PM	PM	PM	J	J	J	J	J	J	J	J	J	J	J	J	J	J	PM	PM	PM	PM
		(HD)				N	N	N	N	N	N	N	N	N	N	N	N	N	N				
						H	H	S	S	S	S	S	S	S	S	S	S	S	H				
		4P + 40S + 4P																					



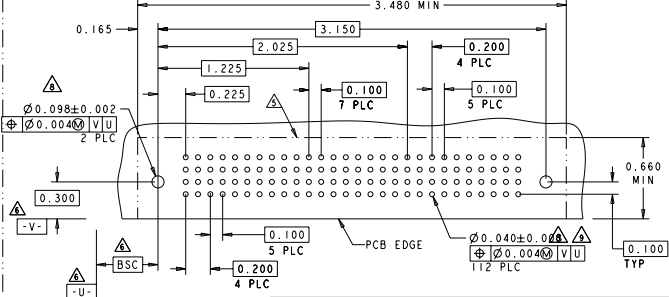
PART NUMBER	ROWS	POWER					SIGNAL										POWER									
		P1	P2	P3	P4	P5	1	2	3	4	5	6	7	8	9	10	P6	P7	P8	P9	P10					
5-6450130-0	D C B A	PM	PM	PM	PM	PM	J	J	J	J	J	J	J	J	J	J	J	J	J	PM	PM	PM	PM	PM		
		(HD)					N	N	N	N	N	N	N	N	N	N	N	N	N							
							H	H	H	H	H	H	H	H	H	H	H	H	H							
		5ACP + 24S + 5ACP																								



PART NUMBER	ROWS	POWER				SIGNAL										POWER							
		P1	P2	P3	P4	1	2	3	4	5	6	7	8	9	10	P5	P6	P7	P8				
4-6450130-9	D C B A	PM	PM	PM	PM	J	J	J	J	J	J	J	J	J	J	J	J	J	PM	PM	PM	PM	
		(HD)				N	N	N	N	N	N	N	N	N	N	N	N	N					
						H	H	H	H	H	H	H	H	H	H	H	H	H					
		4P + 24S + 4P																					



PART NUMBER	ROWS	POWER					SIGNAL										POWER									
		P1	P2	P3	P4	P5	1	2	3	4	5	6	7	8	9	10	P6	P7	P8	P9	P10					
5-6450130-5	D C B A	PM	PM	PM	PM	PM	J	J	J	J	J	J	J	J	J	J	J	J	PM	PM	PM	PM	PM			
		(HD)					N	N	N	N	N	N	N	N	N	N	N	N								
							H	H	H	H	H	H	H	H	H	H	H	H								
		5P + 32S + 5P																								



THIS DRAWING IS A CONTROLLED DOCUMENT. DATE: 08/20/2005. REV: 00. DRAWN BY: J. P. MICHENER. CHECKED BY: J. P. MICHENER. APPROVED BY: J. P. MICHENER. PART NUMBER: 4-6450130-8. TITLE: RIGHT ANGLE HEADER ASSEMBLY W/GUIDES MULTI-BEAM XL. MATERIAL: 114-13038. SIZE: 114-13038. STOCK CODE: 00779. CUSTOMER DRAWING: 4-6450130. SHEET: 11 OF 26. DATE: 08/20/2005.

REV	DATE	DESCRIPTION	BY	CHK
ES	00	SEE SHEET 1		

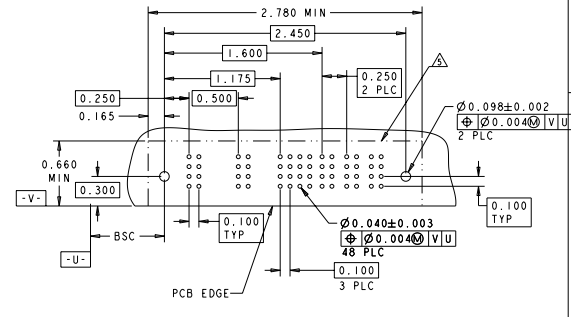
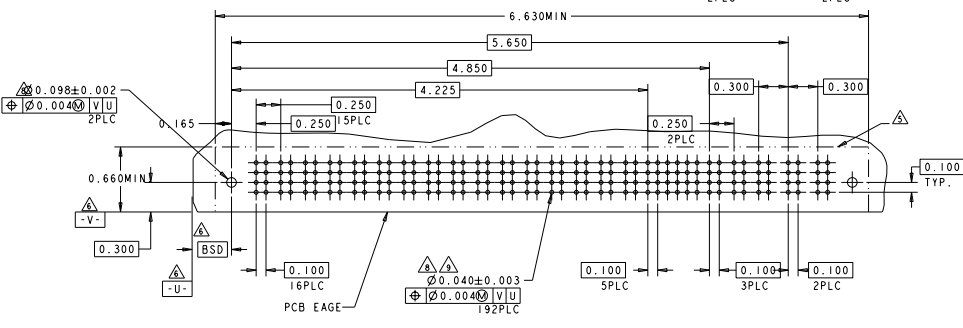
PART NUMBER	ROWS	POWER																SIGNAL						POWER					
		P1	P2	P3	P4	P5	P6	P7	P8	P9	P10	P11	P12	P13	P14	P15	P16	1	2	3	4	5	6	P17	P18	P19	P20	P21	
7-6450130-4	D C B A	PM	PM	PM	PM	PM	PM	PM	PM	PM	PM	PM	PM	PM	PM	PM	K	K	K	K	K	K	PM	PM	PM	PM	PM		
		HDI																HDI						HDI					

16P + 24S + 2P + 3ACP

PART NUMBER	ROWS	POWER			SIGNAL						POWER		
		P1	P2	P3	1	2	3	4	5	6	P4	P5	P6
7-6450130-5	D C B A	PM	PM	PM	J	J	J	J	J	J	PM	PM	PM
		HDI			HDI						HDI		

3P + 24S + 3P

NO CONTACTS LOADED

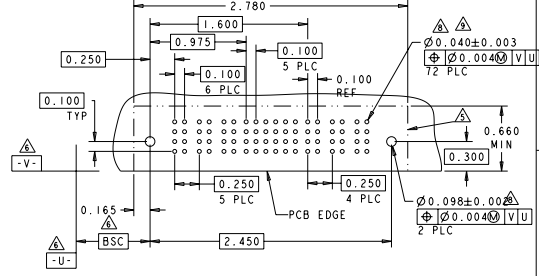
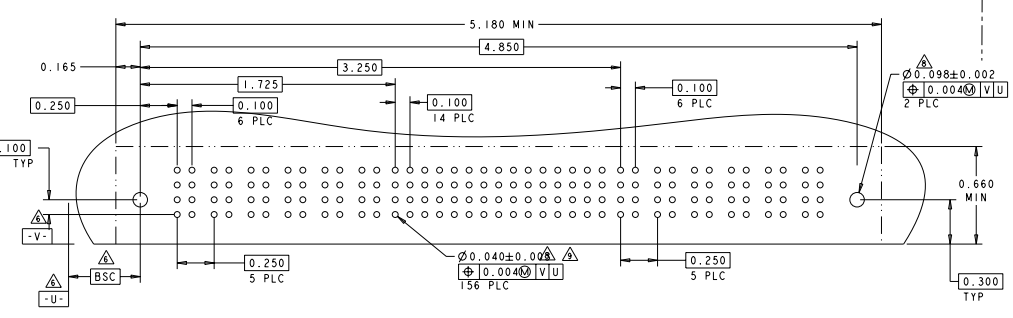


PART NUMBER	ROWS	POWER						SIGNAL												POWER								
		P1	P2	P3	P4	P5	P6	1	2	3	4	5	6	7	8	9	10	11	12	13	14	15	P7	P8	P9	P10	P11	P12
7-6450130-7	D C B A	PM	PM	PM	PM	PM	PM	J	J	J	J	J	J	J	J	J	J	J	J	J	J	J	PM	PM	PM	PM	PM	PM
		HDI						HDI												HDI								

6P + 60S + 6P

PART NUMBER	ROWS	POWER			SIGNAL						POWER		
		P1	P2	P3	1	2	3	4	5	6	P4	P5	P6
7-6450130-8	D C B A	PM	PM	PM	J	J	J	J	J	J	PM	PM	PM
		HDI			HDI						HDI		

3P + 24S + 3P



THIS DRAWING IS A CONTROLLED DOCUMENT. **DATE/ISSUE:** 07/2005 **REV:** 005

INCHES: 0.0005 INCHES **REV:** 005

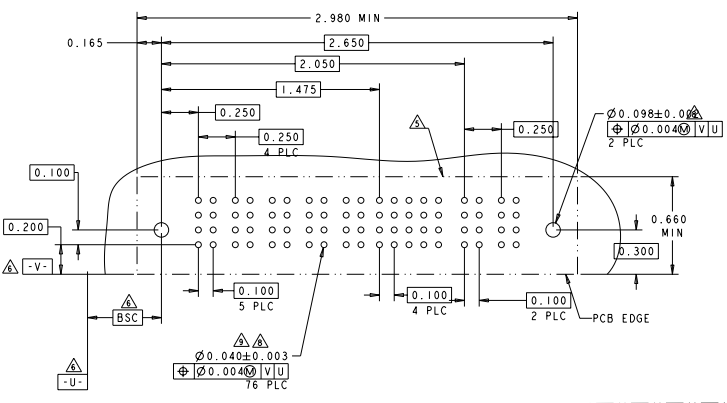
DESCRIPTION: 100-1913 RIGHT ANGLE HEADER ASSEMBLY W/GUIDES MULTI-BEAM XL

DATE: 11-6-2008 **REV:** 005

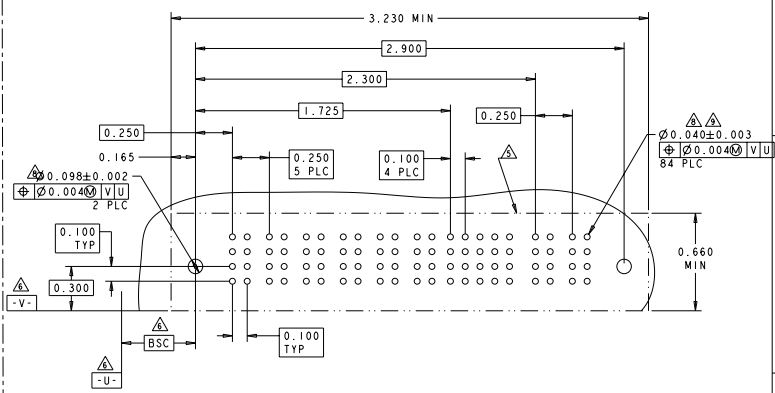
STAFF: SALES (DRAWING NO): A | 00779 | 6450130

CUSTOMER DRAWING: 4-11-26-18

PART NUMBER	ROWS	POWER					SIGNAL					POWER						
		P1	P2	P3	P4	P5	1	2	3	4	5	P6	P7					
7-6450130-9	D C B A	PM	PM	PM	PM	PM	J	J	J	J	J	K	K	K	K	K	PM	PM
							N	G	N	N	N	S	S	S	S	S		
		5P + 20S + 2P																

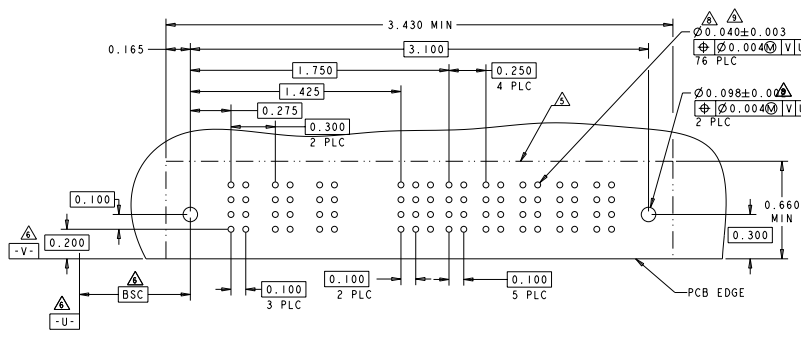


PART NUMBER	ROWS	POWER						SIGNAL					POWER						
		P1	P2	P3	P4	P5	P6	1	2	3	4	5	P7	P8					
8-6450130-0	D C B A	PM	PM	PM	PM	PM	PM	J	J	J	J	J	K	K	K	K	K	PM	PM
								N	G	N	N	N	S	S	S	S	S		
		6P + 20S + 2P																	

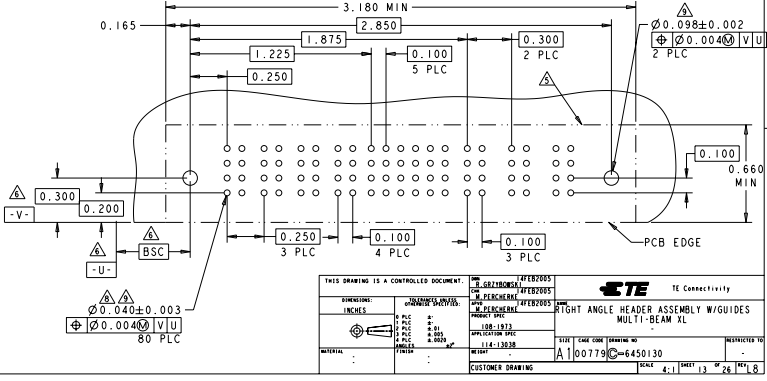


PART NUMBER	ROWS	POWER			SIGNAL						POWER														
		P1	P2	P3	1	2	3	4	5	6	P4	P5	P6	P7	P8										
7-6450130-6	D C B A	PM	PM	PM							J	J	J	J	J	K	K	K	K	K	PM	PM	PM	PM	PM
											N	N	N	N	N	S	S	S	S	S					
		3ACP + 24S + 5P																							

NO CONTACTS LOADER



PART NUMBER	ROWS	POWER				SIGNAL						POWER						
		P1	P2	P3	P4	1	2	3	4	5	6	P5	P6	P7				
8-6450130-2	D C B A	PM	PM	PM	PM	J	J	J	J	J	K	K	K	K	K	PM	PM	PM
						N	N	N	N	N	S	S	S	S	S			
		4P + 24S + 3ACP																



THIS DRAWING IS A CONTROLLED DOCUMENT.

STANDARD: MIL-PRF-38534/2005

REVISIONS: 00

DATE: 108-1913

DESCRIPTION: RIGHT ANGLE HEADER ASSEMBLY W/GUIDES MULTI-BEAM XL

STATE: CA

SCALE CODE: DRAWING NO. 00779-6450130

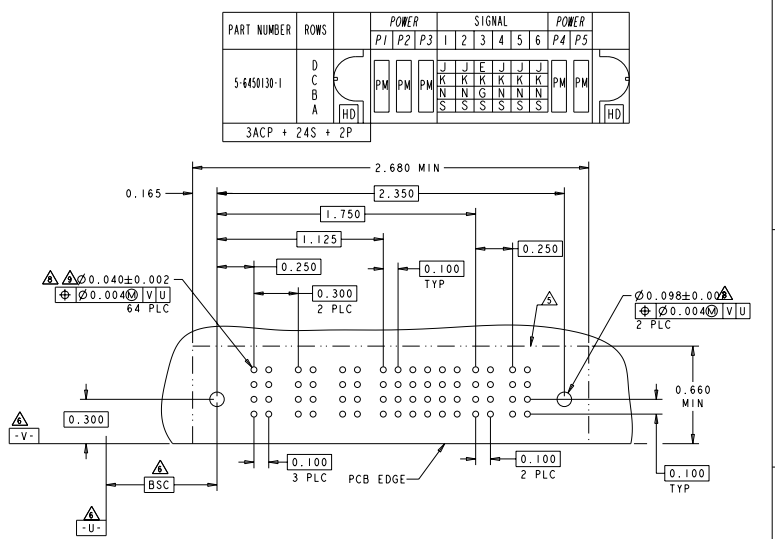
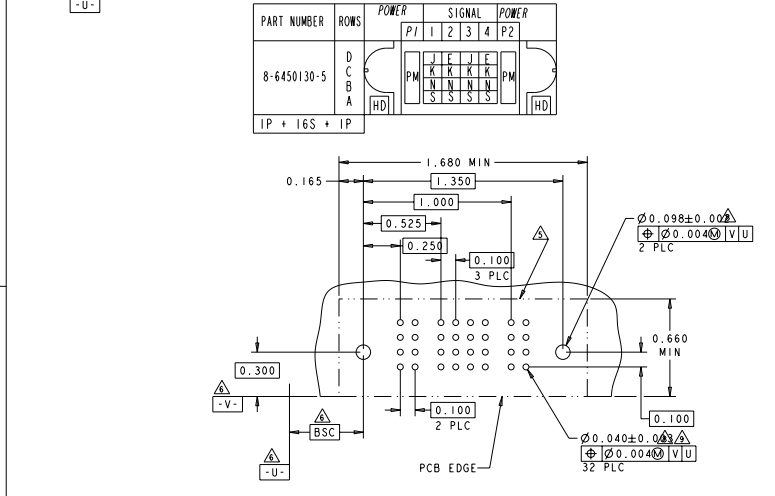
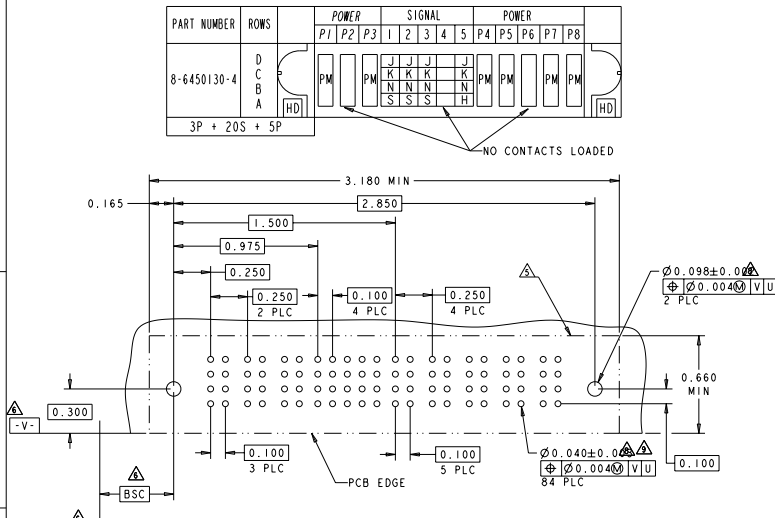
CUSTOMER DRAWING

DATE: 4-11-88

BY: 26

CHK: 8

REV	DATE	DESCRIPTION	BY	CHK
ES	00	SEE SHEET 1		



4883 12/01/11

THIS DRAWING IS A CONTROLLED DOCUMENT.		DATE: 08/20/05	REV: 005
DRAWN BY: J. M. FLECHNER		DATE: 08/20/05	REV: 005
CHECKED BY: J. M. FLECHNER		DATE: 08/20/05	REV: 005
APPROVED BY: J. M. FLECHNER		DATE: 08/20/05	REV: 005
PART NUMBER: 8-6450130-4		TITLE: RIGHT ANGLE HEADER ASSEMBLY W/GUIDES MULTI-BEAM XL	
SCALE: 1:1		SHEET: 14 OF 26	
CUSTOMER DRAWING		PART NUMBER: 8-6450130	

REV	DATE	DESCRIPTION	BY	CHKD
ES	00	SEE SHEET 1		

PART NUMBER	ROWS	POWER			SIGNAL						POWER		
		P1	P2	P3	P4	1	2	3	4	5	6	P5	P6
5-6450130-8	D C B A	PM	PM	PM		J	J	J	J	J	J	PM	PM
						K	K	K	K	K	K		
						N	N	N	N	N	N		
						S	S	S	S	S	S		

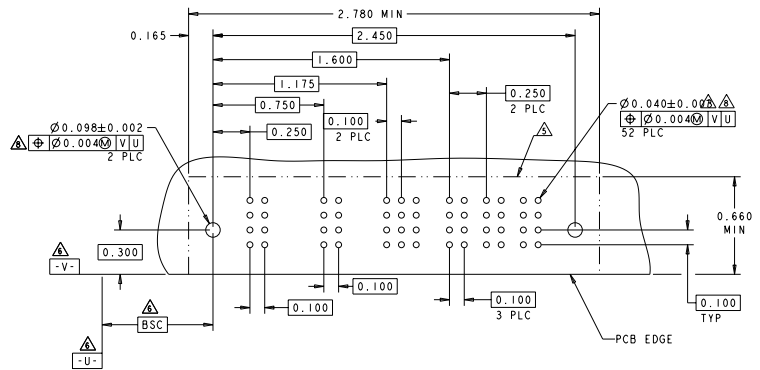
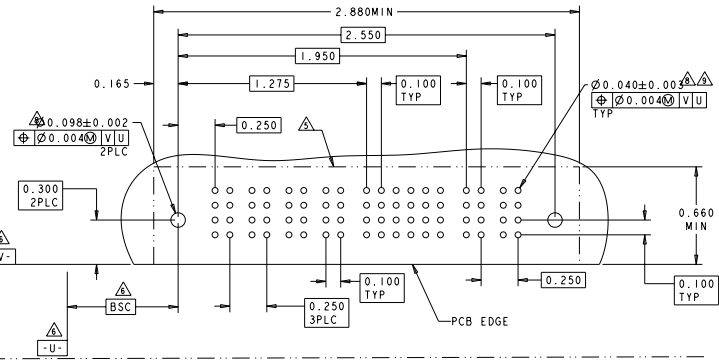
4P + 24S + 2P

PART NUMBER	ROWS	POWER			SIGNAL						POWER			
		P1	P2	P3	P4	1	2	3	4	5	6	P4	P5	P6
8-6450130-6	D C B A	PM	PM			J	J	J	J	J	J	PM	PM	PM
						K	K	K	K	K	K			
						N	N	N	N	N	N			
						S	S	S	S	S	S			

3P + 24S + 3P

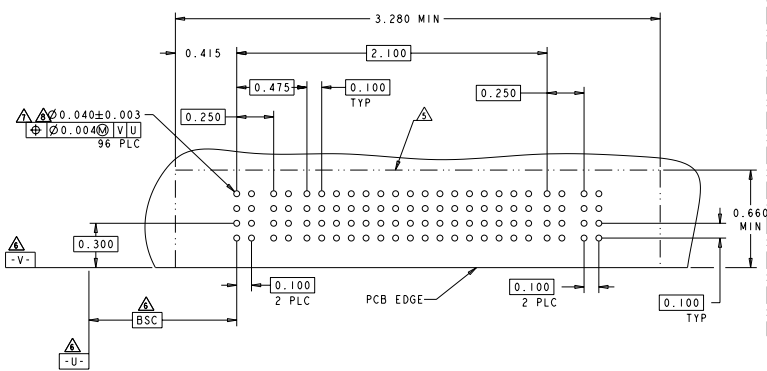
PART NUMBER	ROWS	POWER			SIGNAL						POWER			
		P1	P2	P3	P4	1	2	3	4	5	6	P4	P5	P6
9-6450130-0	D C B A	PM	PM			E	E	E	E	E	E	PM	PM	PM
						F	F	F	F	F	F			
						G	G	G	G	G	G			
						H	H	H	H	H	H			

3P + 24S + 3P



PART NUMBER	ROWS	POWER			SIGNAL																POWER			
		P1	P2	P3	1	2	3	4	5	6	7	8	9	10	11	12	13	14	15	16	P3	P4		
8-6450130-7	D C B A	PA	PA		A	A	A	A	A	A	A	A	A	A	A	A	A	A	A	A	A	A	PA	PA
					A	3	A	3	A	3	A	3	A	3	A	3	A	3	A	3	A	3		
					A	2	A	2	A	2	A	2	A	2	A	2	A	2	A	2	A	2		
					A	T	A	T	A	T	A	T	A	T	A	T	A	T	A	T	A	T		

2P + 64S + 2P



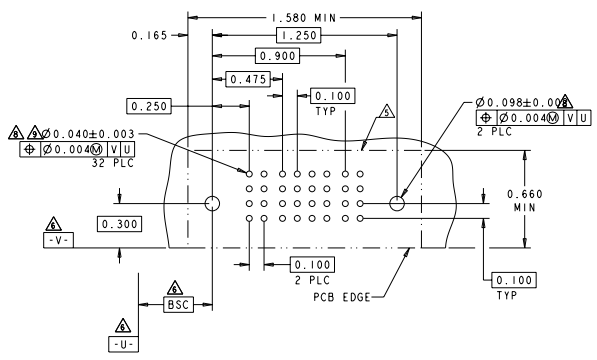
THIS DRAWING IS A CONTROLLED DOCUMENT.		REVISED FOR FABRICATION	DATE	BY
DRAWING NO. 100-1313		REVISED FOR FABRICATION	DATE	BY
INCHES		REVISED FOR FABRICATION	DATE	BY
MATERIAL		REVISED FOR FABRICATION	DATE	BY
CUSTOMER DRAWING		REVISED FOR FABRICATION	DATE	BY

TE Connectivity
RIGHT ANGLE HEADER ASSEMBLY W/GUIDES MULTI-BEAM XL

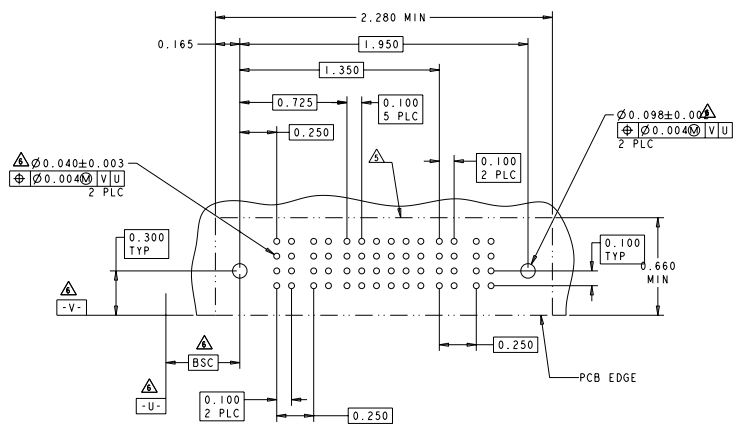
STATE CASE CODE DRAWING NO. 100-1313
REVISED FOR FABRICATION DATE 11-6-13038
BY A100779 CD-6450130
CHECKED BY

REV	DATE	DESCRIPTION	BY	CHK
ES	00	SEE SHEET 1		

PART NUMBER	ROWS	POWER				SIGNAL				POWER		
		P1	1	2	3	4	P2	J	K	L	M	
8-6450130-9	D											
	C											
	B											
		[HDI]								[HDI]		
IP + 16S + IP												



PART NUMBER	ROWS	POWER		SIGNAL						POWER		
		P1	P2	1	2	3	4	5	6	P3	P4	
2-6450130-9	D											
	C											
	B											
		[HDI]								[HDI]		
2P + 24S + 2P												



THIS DRAWING IS A CONTROLLED DOCUMENT. DATE: 02/28/2005. REV: 002.

DESIGNED BY: J. PEICHERK. CHECKED BY: J. PEICHERK. DATE: 02/28/2005.

INCHES: 0.001 INCHES. TOLERANCES: 0.001 INCHES.

MATERIAL: 100-1913. FINISH: 116-13038.

STATE: CA. COUNTY: SAN JOSE. CITY: SAN JOSE. ZIP: 95134.

STAFF: 00779. CUSTOMER: 6450130. PART NUMBER: 8-6450130-9.

CUSTOMER DRAWING. SHEET: 2.1 OF 26. PART: 8.

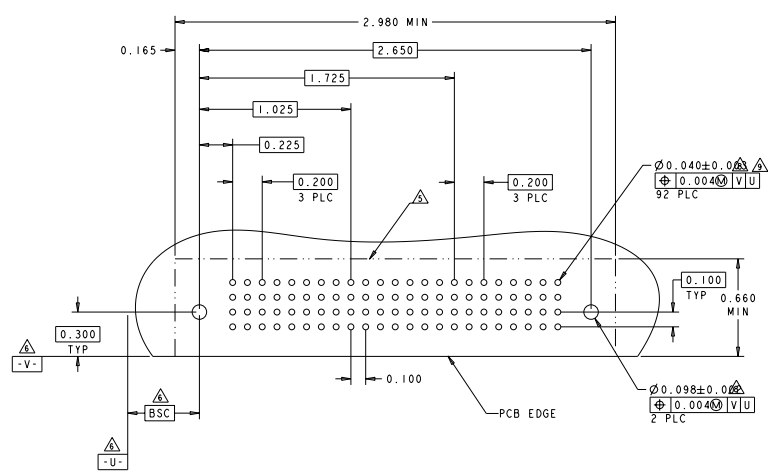
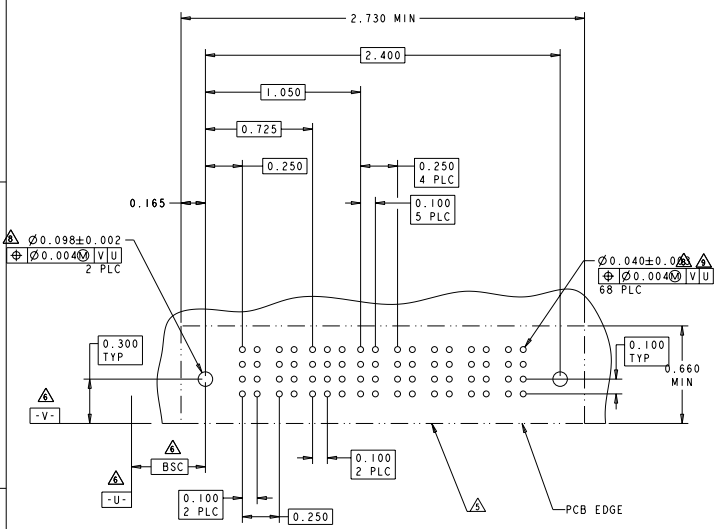
TE Connectivity
 RIGHT ANGLE HEADER ASSEMBLY W/GUIDES
 MULTI-BEAM XL

REV	DATE	DESCRIPTION	BY	CHK
ES	00	SEE SHEET 1		

PART NUMBER	ROWS	POWER			SIGNAL			POWER			
		P1	P2	P3	1	2	3	P4	P5	P6	P7
9-6450130-2	D				J	J	J				
	C				K	K	K				
	B				N	N	N				
	A				S	S	S				
		PM	PM		PM	PM	PM	PM	PM	PM	PM
		(HD)									(HD)
2P + 12S + 5P											

(K2)

PART NUMBER	ROWS	POWER				SIGNAL						POWER				
		P1	P2	P3	P4	1	2	3	4	5	6	7	P5	P6	P7	P8
2-6450130-4	D					A4	A4	A4	A4	A4	A4	A4				
	C					A3	A3	A3	A3	A3	A3					
	B					A2	A2	A2	A2	A2	A2					
	A					A1	A1	A1	A1	A1	A1					
		PA	PA	PA	PA							PA	PA	PA	PA	
		(HD)													(HD)	
4NDP + 28S + 4NDP																

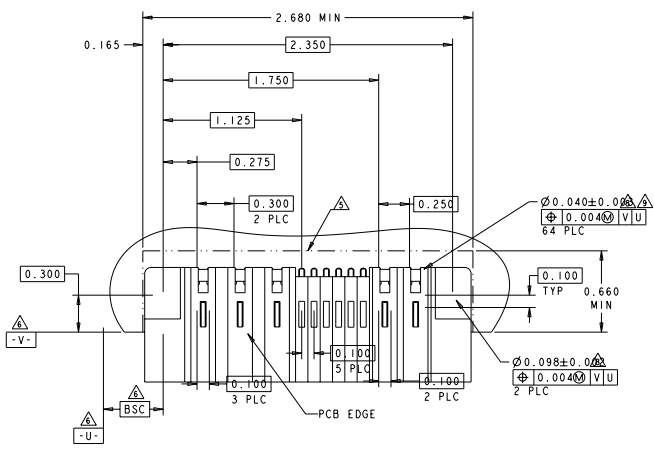


THIS DRAWING IS A CONTROLLED DOCUMENT. DATE: 07/2005. DRAWN BY: W. FLECHNER. CHECKED BY: W. FLECHNER. PART NUMBER: 9-6450130-2. TITLE: RIGHT ANGLE HEADER ASSEMBLY W/GUIDES MULTI-BEAM XL. STATE: CA. SCALE: DRAWING TO: 1:1. PART NUMBER: 9-6450130. SHEET: 1 OF 1. DATE: 07/2005. CUSTOMER DRAWING.

REV	DATE	REVISIONS	BY	CHK	APP
ES	00	SEE SHEET 1			

PART NUMBER	ROWS	POWER			SIGNAL						POWER	
		P1	P2	P3	1	2	3	4	5	6	P4	P5
2-6450130-6	D				J	J	J	J	J	J		
	C				K	K	K	K	K	K		
	B				N	N	N	N	N	N		
	A	HD			S	S	S	S	S	S	HD	

3ACP + 24S + 2P

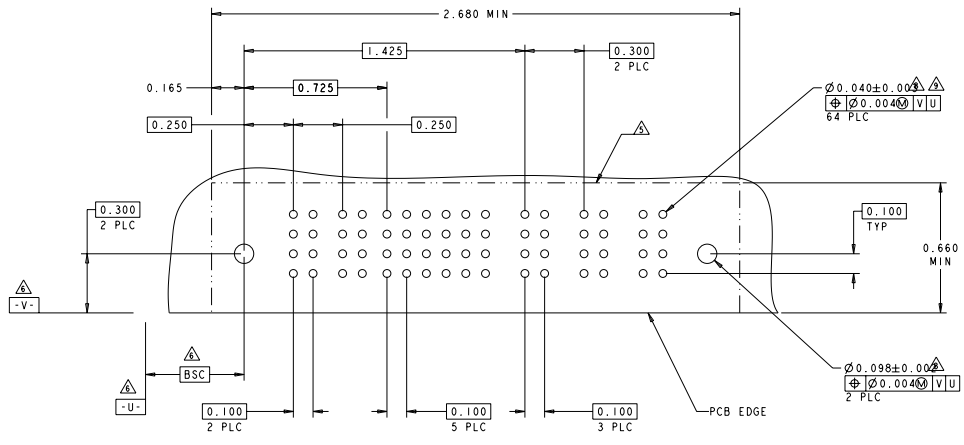


THIS DRAWING IS A CONTROLLED DOCUMENT. DATE: 02/28/2005. REV: 002005. PART NUMBER: 2-6450130-6. TITLE: RIGHT ANGLE HEADER ASSEMBLY W/GUIDES MULTI-BEAM XL. DRAWING NO: 100-1913. SPECIFICATION DOC: 116-13038. STATE: CAKE CODE: DRAWING NO: A. 00779. CUSTOMER DRAWING. SHEET: 2.11 OF 26. FILE: 100-1913-8.

REV	DATE	DESCRIPTION	BY	CHK	APP
ES	00	SEE SHEET 1			

PART NUMBER	ROWS	POWER		SIGNAL						POWER		
		P1	P2	1	2	3	4	5	6	P3	P4	P5
9-6450130-5	D	PM	PM	J	J	E	J	J	J	PM	PM	PM
	C			K	K	K	K	K				
	B			N	N	G	N	N	N			
A	S	S	S	S	S	S	S	S				

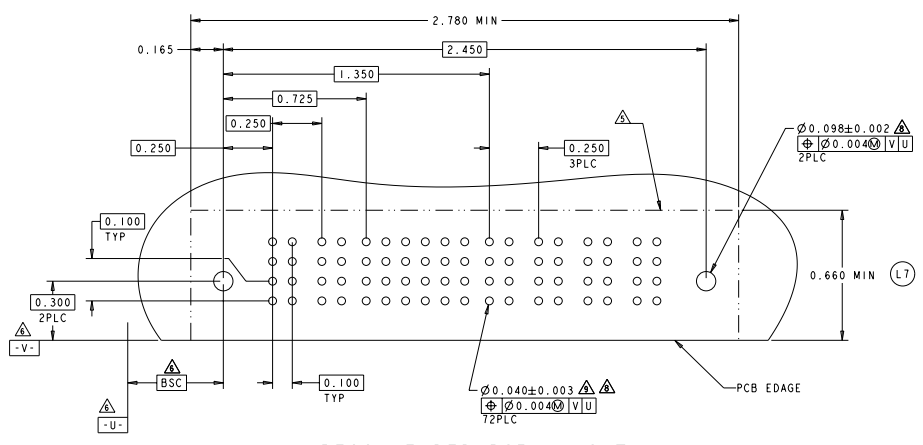
2P + 24S + 3ACP



THIS DRAWING IS A CONTROLLED DOCUMENT.		DATE: 02/28/2005	REV: 00	REVISED BY: W. PEICHER	REVISED DATE: 02/28/2005	REVISED BY: W. PEICHER	REVISED DATE: 02/28/2005	REVISED BY: W. PEICHER	REVISED DATE: 02/28/2005
DRAWING: 9-6450130-5		PART: 9-6450130-5		TITLE: RIGHT ANGLE HEADER ASSEMBLY W/GUIDES MULTI-BEAM XL		MATERIAL: 100-1913			
INCHES: 0.001		MATERIAL: 100-1913		SPECIFICATION: 100-1913		STATE: CA			
DATE: 02/28/2005		DRAWING NO: 9-6450130-5		CUSTOMER: 00779		PART NUMBER: 9-6450130			
REV: 00		REVISED BY: W. PEICHER		REVISED DATE: 02/28/2005		CUSTOMER DRAWING: 9-6450130-5			

REV	DATE	DESCRIPTION	BY	CHK
ES	00	SEE SHEET 1		

PART NUMBER	ROWS	POWER		SIGNAL						POWER			
		P1	P2	1	2	3	4	5	6	P3	P4	P5	P6
9-6450130-8	D	PM	PM	E	J	J	J	J	E	PM	PM	PM	PM
	C			F	K	K	K	K	F				
	B			N	N	N	N	N	N				
A	S	S	S	S	S	S	S						
2P + 24S + 4P		HD								HD		(L7)	



RECOMMENDED PCB LAYOUT

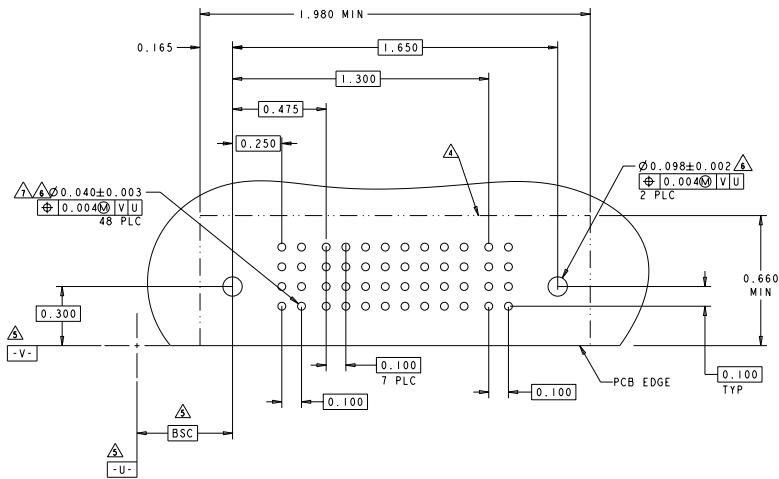
THIS DRAWING IS A CONTROLLED DOCUMENT.

DATE: 02/28/2005	REV: 00	REVISED BY: J. FLECHNER	REVISED DATE: 02/28/2005
DRAWN BY: J. FLECHNER		CHECKED BY: J. FLECHNER	
PART NUMBER: 9-6450130-8		DESCRIPTION: RIGHT ANGLE HEADER ASSEMBLY W/GUIDES MULTI-BEAM XL	
MATERIAL: 116-13038		SCALE: 1:1	
QUANTITY: 1000		DRAWING NO: 00779	
PART NUMBER: 9-6450130		REV: 00	
CUSTOMER DRAWING		PAGE 1 OF 1	

REV	DATE	REVISIONS
ES	00	SEE SHEET 1

PART NUMBER	ROWS	POWER		SIGNAL								POWER		
		P1	P2	1	2	3	4	5	6	7	8	P1	P2	
9-6450130-9	D			J	J	J	J	J	J	J	J	J		
	C			K	K	K	F	K	K	K	K			
	B			N	N	N	N	N	N	N	N			
A				S	S	S	S	S	S	S	S			

IP + 32S + IP



THIS DRAWING IS A CONTROLLED DOCUMENT.		DATE: 02/28/2005	REV: 00	REVISED BY: JFE	REVISED DATE: 02/28/2005	REVISED BY: JFE	REVISED DATE: 02/28/2005	REVISED BY: JFE	REVISED DATE: 02/28/2005
DRAWING: 9-6450130-9		PART NUMBER: 9-6450130-9		DESCRIPTION: RIGHT ANGLE HEADER ASSEMBLY W/GUIDES MULTI-BEAM XL		MATERIAL: 116-13038			
INCHES: 0.001		MATERIAL: 116-13038		SCALE: 1:1		SHEET: 26		TOTAL SHEETS: 26	
DATE: 02/28/2005		DRAWN BY: JFE		CHECKED BY: JFE		APPROVED BY: JFE		CUSTOMER DRAWING: 00779-6450130	