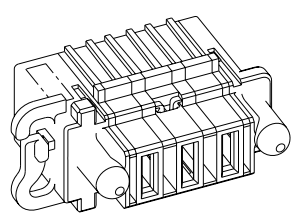
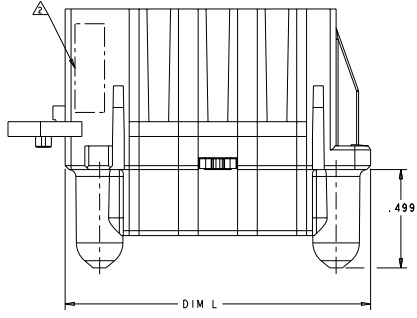


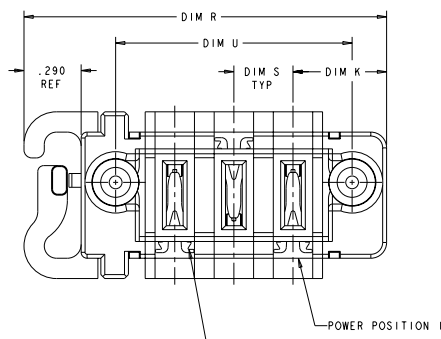
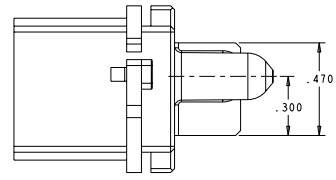
REVISED		REVISIONS	
ES	00	REV	DESCRIPTION
		D	REV PER ECR-09-004236
		D2	ADD NEW DASH NUMBER-14
		D3	REV PER ECR-09-005596
		D4	REV PER ECR-09-005530



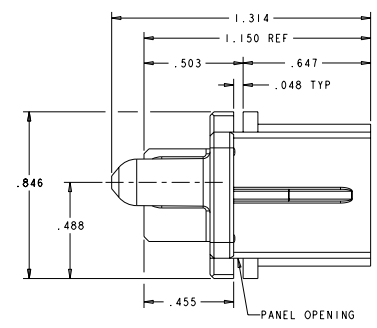
ISOMETRIC VIEW



- △ MATERIAL: THERMO PLASTIC, UL94 V-0.
- △ COMPANY TRADEMARK, PART NUMBER, AND DATE CODE TO BE MARKED IN AREA SHOWN.
- △ PANEL THICKNESS = .040±.005
- △ CONNECTOR KEEP OUT ZONE.
- △ POWER CONTACT REFERENCE:  
PART NUMBER: 1600960 & 1600961  
MATERIAL: COPPER ALLOY  
FINISH (INTERFACE): .0000030 Au OVER .0000050 Ni
- △ DASH NUMBERS INDICATED ARE NOT RELEASED FOR PRODUCTION.
- △ VARIABLE DIMENSION SHOW ON THE TABLE.



REF:  
POWER SECONDARY LOCK  
PART NUMBER: 1600903-1

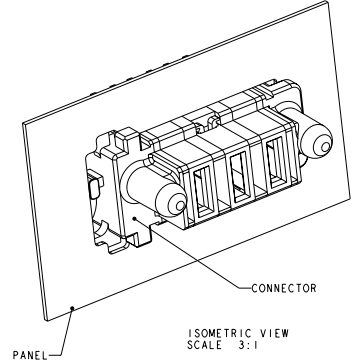
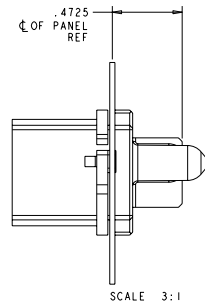
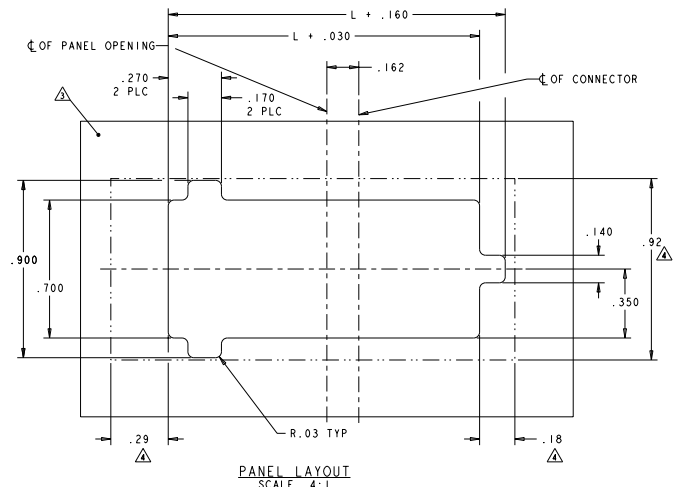
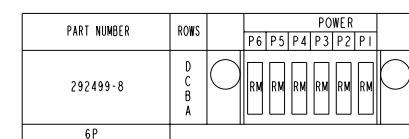
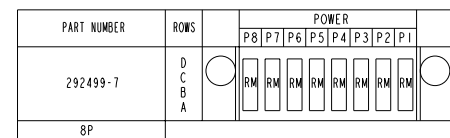
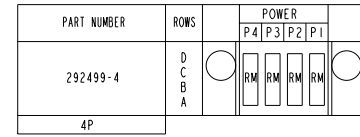
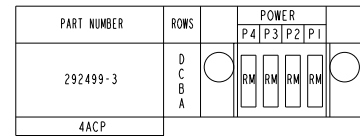
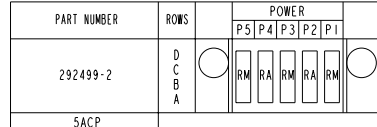
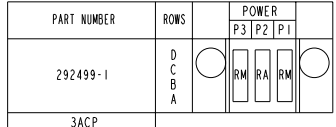


2.190	.300	1.550	1.900	.500	4ACP(10AWG)	1-292499-5
1.940	.200	1.300	1.650	.425	5HDP(12AWG)	1-292499-4
3.465	△	2.825	3.175	.525	6ACP(10AWG)	1-292499-3
2.340	.200	1.700	2.050	.425	7HDP(12AWG)	1-292499-2
△ 2.440	.300	1.800	2.150	.475	5ACP(8AWG)	1-292499-1
2.440	.250	1.800	2.150	.450	6P(12AWG)	292499-8
2.940	.250	2.300	2.650	.450	8P(12AWG)	292499-7
1.940	.250	1.300	1.650	.450	4P(12AWG)	292499-4
2.140	.300	1.500	1.850	.475	4ACP(12AWG)	292499-3
2.440	.300	1.800	2.150	.475	5ACP(12AWG)	292499-2
1.840	.300	1.200	1.550	.475	3ACP(12AWG)	292499-1

DIM R REF	DIM S	DIM U	DIM L	DIM K	DESCRIPTION	PART NUMBER

**TECH ELECTRONICS CORPORATION**  
 292499-1  
 SLIDE TO LOCK PANEL MOUNT CABLE RECEPTACLE HOUSING, WITH GUIDES, MULTI-BEAM XL  
 STATE: CA CASE NUMBER: 292499  
 CUSTOMER DRAWING

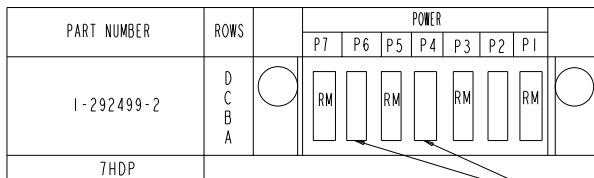
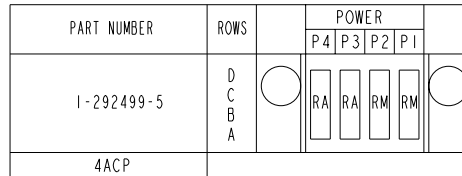
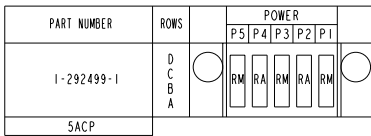
REVISOR		REVISIONS	
NO.	DATE	DESCRIPTION	BY
ES	00	SEE SHEET 1	



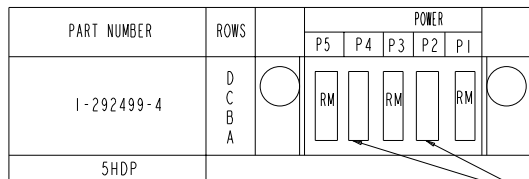
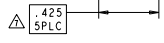
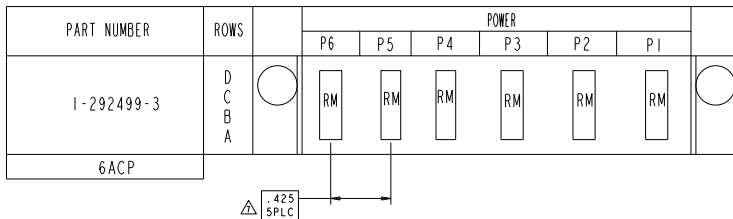
RM	STANDARD POWER CONTACT
RA	MFBL POWER CONTACT
CODE	DESCRIPTION
CONTACT TABLE	

DATE	08/02/04	DESIGNED BY	08/02/04
INCHES	0.001	APPROVED BY	08/02/04
SCALE	AS SHOWN	CUSTOMER DRAWING	NO
TITLE		SLIDE TO LOCK PANEL MOUNT CABLE RECEPTACLE HOUSING, WITH GUIDES, MULTI-BEAM XL	
STANDARD CODE	00779	QUANTITY	1
REV	A	DATE	08/02/04

REV	ES	DATE	DESCRIPTION	BY	CHK	APP
00	00		SEE SHEET 1			



NO LOADING CONTACT



NO LOADING CONTACT

TITLE: SLIDE TO LOCK PANEL MOUNT CABLE RECEPTACLE HOUSING, WITH GUIDES, MULTI-BEAM XL INCHES: .001 DATE: 08/02/2004 DRAWN BY: J. J. JONES CHECKED BY: J. J. JONES APPROVED BY: J. J. JONES		PART NO: 00002004 REV: A QTY: 1000 UNIT: 1000	TECH ELECTRONICS CORPORATION 2000 N. W. 10th Ave., Suite 100 Ft. Lauderdale, FL 33309 (954) 575-1100 FAX: (954) 575-1101 WWW: WWW.TECH-ELC.COM
DESCRIPTION: SLIDE TO LOCK PANEL MOUNT CABLE RECEPTACLE HOUSING, WITH GUIDES, MULTI-BEAM XL		STATE: FL COUNTY: BROWARD CITY: FT. LAUDERDALE	CUSTOMER: A   00779   292499 CUSTOMER DRAWING: YES SHEET: 1   1 OF: 3 DATE: 08/02/04