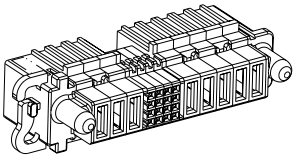
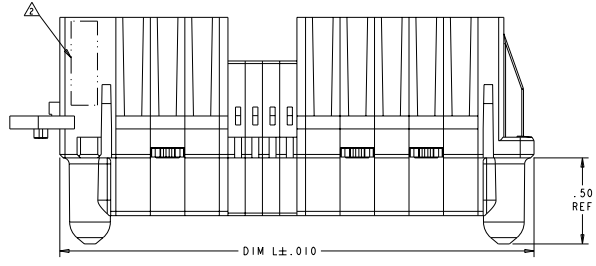


DATE DRAWING TO BE PUBLISHED	7
REVISIONS FOR PUBLICATION	26
DATE	02/05/2008
BY	ALL RIGHTS RESERVED

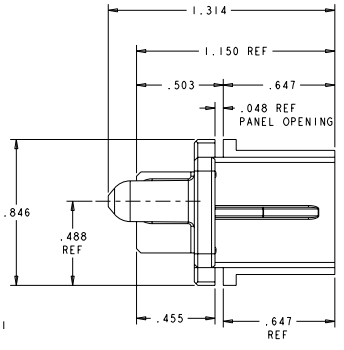
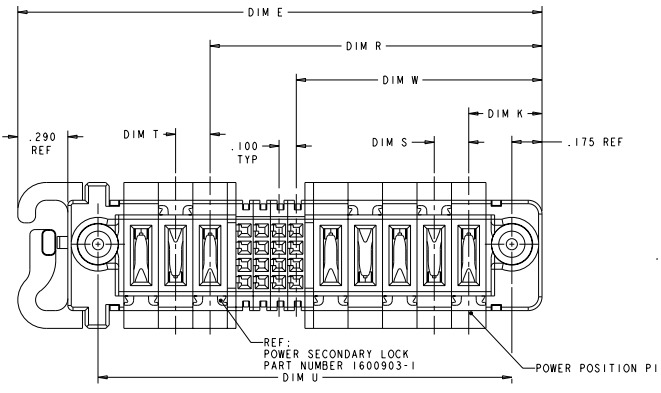
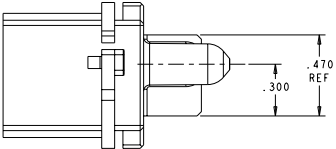
REV	DATE	DESCRIPTION	BY	CHK	APP
00	ES				
05		ADDED THE NEW DASH NUMBER -26	STRECHER	ML	SZ
06		ADDED THE NEW DASH NUMBER -27	STRECHER	ML	SZ



SCALE 2:1



- △ MATERIAL: THERMO PLASTIC, UL94 V-0.
- △ COMPANY TRADEMARK, PART NUMBER, AND DATE CODE TO BE MARKED IN AREA SHOWN.
- △ PANEL THICKNESS = .040±.005
- △ CONNECTOR KEEP OUT ZONE.
- 5. POWER CONTACT REFERENCE:
PART NUMBER: 1600900
MATERIAL: COPPER ALLOY
FINISH (INTERFACE): .0000030 Au OVER .0000050 Ni
- △ VARIABLE DIMENSIONS PLEASE REFER TO TABLE.



THIS DRAWING IS A CONTROLLED DOCUMENT.		REV: 00	DATE: 02/05/2008	 TE Connectivity
DRAWING NO: 1600903-1		REV: 05	DATE: 02/05/2008	
INCHES	UNITS	REV: 06	DATE: 02/05/2008	SLIDE TO LOCK PANEL MOUNT CABLE RECEPTACLE HOUSING WITH GUIDES MOUNT BEAM XL
DATE: 02/05/2008	BY: STRECHER	REV: 05	DATE: 02/05/2008	STATE CASE CODE (DRAWING NO) 00779 ©-292498
MATERIAL: THERMO PLASTIC	FINISH: COPPER ALLOY	REV: 06	DATE: 02/05/2008	CUSTOMER DRAWING

8	7	6	5	4	3	2	1
FILE NUMBER TO IMPROVE	REVISION FOR FABRICATION						
000000000	01	ALL RIGHTS RESERVED					

REV	DATE	DESCRIPTION	BY	CHK	APP
00	ES	SEE SHEET 1			

REFERENCE WIRE CHART AND CONTACTS		
HOUSING MODULE	CONTACT	INSULATION DIAMETER RANGE
.300 POWER	8 - 10 1600960 REF	[.176 - .272]
.250 POWER	8 - 10 1600960 REF	[.176 - .203]
	12 - 14 1600961 REF	[.156 - .176]
.200 POWER	12 - 14 1600961 REF	[.120 - .156]
.100 SIGNAL	22 - 26 5531216-3 REF	[.036 - .069]

DIM E REF	DIM T	DIM S	DIM U	DIM R	DIM W	DIM L	DIM K	DESCRIPTION	PART NUMBER	
06	2.165	-	-	1.525	-	.400	1.875	-	48S	2-292498-7
	2.565	-	-	1.925	-	.400	2.275	-	64S	2-292498-6
04	2.540	.200	.200	1.900	1.550	.875	2.250	.450	2P + 24S + 2P	2-292498-5
02	1.740	-	-	1.100	-	.375	1.450	-	32S	2-292498-4
02	1.140	-	-	.500	-	.375	.850	-	8S	2-292498-3
02	1.240	-	-	.600	-	.375	.950	-	12S	2-292498-2
	2.740	-	-	2.100	-	.375	2.450	-	72S	2-292498-1
	2.365	-	.375	1.725	-	1.500	2.075	.425	3P + 12S	2-292498-0
	1.040	-	-	.400	-	.375	.750	-	4S	1-292498-8
	2.840	.300	.300	2.200	1.775	1.025	2.550	.475	2ACP + 24S + 2ACP	1-292498-7
	2.215	-	-	1.575	1.425	.700	1.925	.475	1P + 24S + 1P	1-292498-5
	3.965	-	-	3.325	-	.400	3.675	-	120S	1-292498-4
	3.440	.200	.200	2.800	2.525	2.025	3.150	.425	8P + 16S + 2P	1-292498-3
	1.240	-	-	.600	-	.425	.950	-	8S	1-292498-2
	2.740	.250	.250	2.100	1.500	1.175	2.450	.450	3P + 8S + 3P	1-292498-1
	1.740	-	-	1.100	1.000	.675	1.450	.450	1P + 8S + 1P	1-292498-0
	2.140	-	-	1.500	1.400	.675	1.850	.450	1P + 24S + 1P	292498-9
	3.465	-	-	2.825	-	2.300	3.175	.475	3ACP + 4P + 24S	292498-8
	2.240	.250	.250	1.600	1.250	.925	1.950	.450	2P + 8S + 2P	292498-7
	3.240	.200	.200	2.600	1.925	1.225	2.950	.425	4HDP + 24S + 4HDP	292498-6
	2.640	.250	.300	2.000	1.650	1.325	2.350	.475	3ACP + 8S + 2P	292498-5
	1.940	-	-	1.300	1.200	.675	1.650	.450	1P + 16S + 1P	292498-4
	3.240	.200	.200	2.600	2.525	2.025	2.950	.425	8P + 16S + 1P	292498-3
	2.640	.250	.250	2.000	1.650	.925	2.350	.450	2P + 24S + 2P	292498-2
	3.040	.200	.200	2.400	1.925	1.425	2.750	.425	5P + 16S + 3P	292498-1

THIS DRAWING IS A CONTROLLED DOCUMENT.		REV. 00	DATE 10DEC2006	 TE Connectivity
DRAWING NO. 100000000		REV. 00	DATE 10DEC2006	
INCHES	0.0000	DRAWING DATE 10DEC2006		SLIDE TO LOCK PANEL MOUNT CABLE RECEPTACLE HOUSING WITH GUIDES MULTIBEAM XL
UNITS	MM	DRAWING DATE 10DEC2006		
MATERIAL	PLAS	REV. 00	DATE 10DEC2006	STATE CASE CODE DRAWING NO. A100779
FINISH	PLAS	REV. 00	DATE 10DEC2006	CUSTOMER DRAWING PART 4-11 SHEET 2 OF 5

REV	DATE	DESCRIPTION	BY	CHKD
ES	00	SEE SHEET 1		

PART NUMBER	ROWS	POWER			SIGNAL			POWER					
		P8	P7	P6	4	3	2	1	P5	P4	P3	P2	P1
292498-1	D	RA	RA	RA	E	E	E	E	E	RM	RM	RM	RM
	C				E	E	E	E	E				
	B				E	E	E	E	E				
	A				E	E	E	E	E				

5P + 16S + 3P

PART NUMBER	ROWS	POWER			SIGNAL			POWER				
		P4	P3	6	5	4	3	2	1	P2	P1	
292498-2	D	RM	RM	E	E	E	E	E	E	RA	RA	
	C			E	E	E	E	E	E			
	B			E	E	E	E	E	E			
	A			E	E	E	E	E	E			

2P + 24S + 2P

PART NUMBER	ROWS	POWER			SIGNAL			POWER					
		P9	4	3	2	1	P8	P7	P6	P5	P4	P3	P2
292498-3	D	RM	E	E	E	E	RA	RA	RA	RM	RM	RM	RM
	C		E	E	E	E							
	B		E	E	E	E							
	A		E	E	E	E							

8P + 16S + 1P

NO CONTACT LOADED

PART NUMBER	ROWS	POWER		SIGNAL		POWER	
		P2	4	3	2	1	P1
292498-4	D	RM	E	E	E	E	RM
	C		E	E	E	E	
	B		E	E	E	E	
	A		E	E	E	E	

1P + 16S + 1P

PART NUMBER	ROWS	POWER		SIGNAL		POWER	
		P5	P4	2	1	P3	P2
292498-5	D	RM	RM	E	E	RA	RM
	C			E	E		
	B			E	E		
	A			E	E		

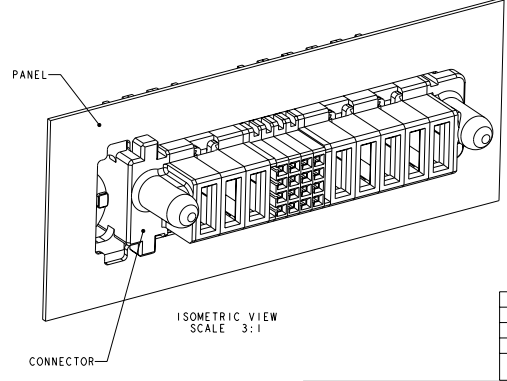
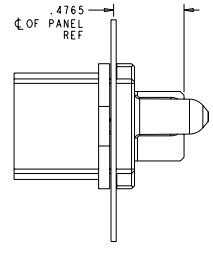
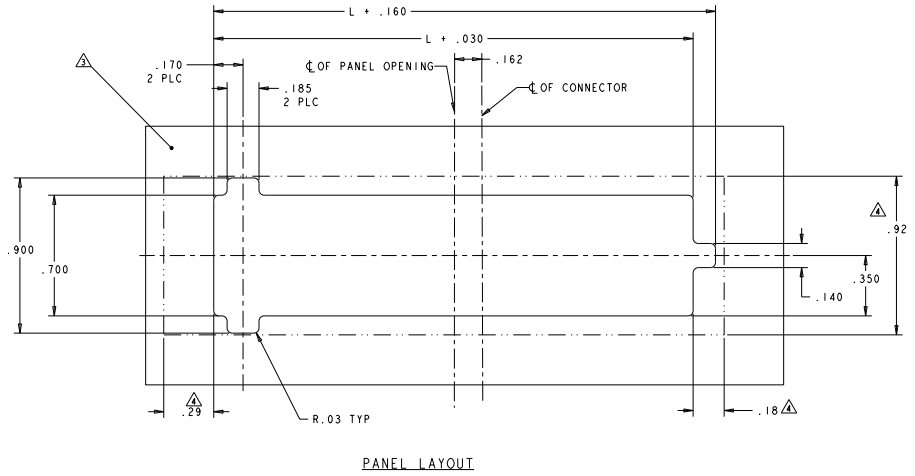
3ACP + 8S + 2P

PART NUMBER	ROWS	POWER		SIGNAL		POWER	
		P4	P3	2	1	P2	P1
292498-7	D	RM	RM	E	E	RM	RM
	C			E	E		
	B			E	E		
	A			E	E		

2P + 8S + 2P

PART NUMBER	ROWS	POWER			SIGNAL			POWER							
		P8	P7	P6	P5	6	5	4	3	2	1	P4	P3	P2	P1
292498-6	D	RM	RM	RM	RM	E	E	E	E	E	E	RM	RM	RM	RM
	C					E	E	E	E	E					
	B					E	E	E	E	E					
	A					E	E	E	E	E					

4HDP + 24S + 4HDP



CODE	DESCRIPTION
E	SIGNAL CONTACT
RM	STANDARD POWER CONTACT
RA	MFBL POWER CONTACT

CONTACT TABLE

THIS DRAWING IS A CONTROLLED DOCUMENT. PZ 2900 180C2006
 CS 2900 17SEP2007

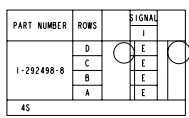
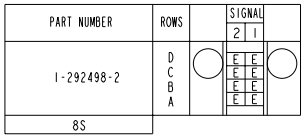
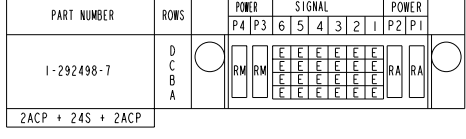
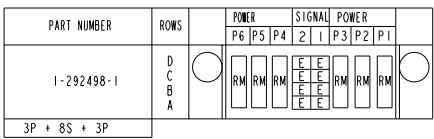
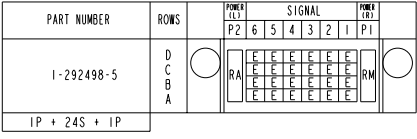
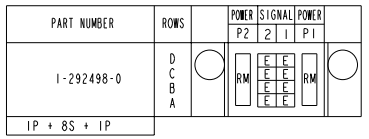
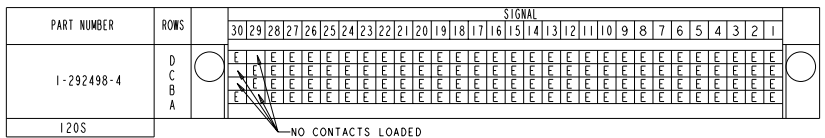
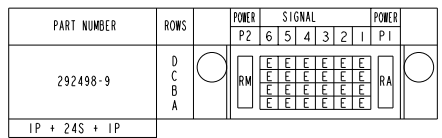
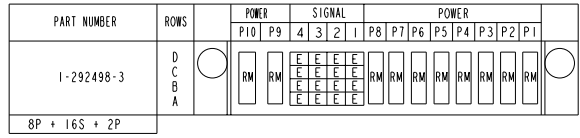
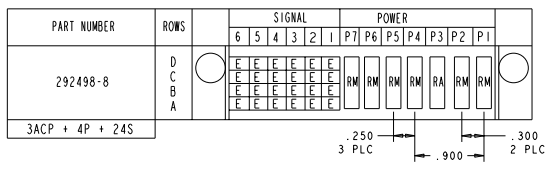
DATE: 08-21-07
 DRAWN BY: 188-2157
 CHECKED BY: 188-2157
 APPROVED BY: 188-2157

STATE: CA
 CITY: SAN JOSE
 ZIP: 95131

SCALE: 3:1
 SHEET: 3 OF 5

CUSTOMER DRAWING: A 00779 © 292498

REV	DATE	DESCRIPTION	BY	CHK
00	ES	SEE SHEET 1		



THIS DRAWING IS A CONTROLLED DOCUMENT.

DATE: 7/18/2006	REV: 1	REVISED BY: ES	REVISED DATE: 7/18/2006
INCHES: 0.100	SCALE: 1:1	PROJECT: 188-2157	DESCRIPTION: SLIDE TO LOCK PANEL MOUNT CABLE RECEPTACLE HOUSING WITH GUIDES MULTI-BEAM XL
DATE: 7/18/2006	REV: 1	REVISED BY: ES	REVISED DATE: 7/18/2006
INCHES: 0.100	SCALE: 1:1	PROJECT: 188-2157	DESCRIPTION: SLIDE TO LOCK PANEL MOUNT CABLE RECEPTACLE HOUSING WITH GUIDES MULTI-BEAM XL

STY: 188-2157
 REV: 1
 DATE: 7/18/2006
 BY: ES
 CHECKED BY: ES
 APPROVED BY: ES

STY: 188-2157
 REV: 1
 DATE: 7/18/2006
 BY: ES
 CHECKED BY: ES
 APPROVED BY: ES

CUSTOMER DRAWING

REV	DATE	DESCRIPTION	BY	CHK	APP
00		SEE SHEET 1			

PART NUMBER	ROWS	SIGNAL			POWER		
		3	2	1	3	2	1
2-292498-0	D	E	E	E			
	C	E	E	E	RM	RM	RM
	B	E	E	E			
	A	E	E	E			

3P + 12S

D1

PART NUMBER	ROWS	POWER		SIGNAL						POWER		
		P4	P3	6	5	4	3	2	1	P2	P1	
2-292498-5	D	RM	RM	E	E	E	E	E	E	E	RM	RM
	C	RM	RM	E	E	E	E	E	E	E	RM	RM
	B	RM	RM	E	E	E	E	E	E	E	RM	RM
	A	RM	RM	E	E	E	E	E	E	E	RM	RM

2P + 24S + 2P

D3

PART NUMBER	ROWS	SIGNAL																	
		1	2	3	4	5	6	7	8	9	10	11	12	13	14	15	16	17	18
2-292498-1	D	E	E	E	E	E	E	E	E	E	E	E	E	E	E	E	E	E	E
	C	E	E	E	E	E	E	E	E	E	E	E	E	E	E	E	E	E	E
	B	E	E	E	E	E	E	E	E	E	E	E	E	E	E	E	E	E	E
	A	E	E	E	E	E	E	E	E	E	E	E	E	E	E	E	E	E	E

72S

D2

PART NUMBER	ROWS	SIGNAL															
		1	2	3	4	5	6	7	8	9	10	11	12	13	14	15	16
2-292498-6	D	E	E	E	E	E	E	E	E	E	E	E	E	E	E	E	E
	C	E	E	E	E	E	E	E	E	E	E	E	E	E	E	E	E
	B	E	E	E	E	E	E	E	E	E	E	E	E	E	E	E	E
	A	E	E	E	E	E	E	E	E	E	E	E	E	E	E	E	E

64S

PART NUMBER	ROWS	SIGNAL		
		1	2	3
2-292498-2	D	E	E	E
	C	E	E	E
	B	E	E	E
	A	E	E	E

12S

D2

PART NUMBER	ROWS	SIGNAL											
		1	2	3	4	5	6	7	8	9	10	11	12
2-292498-7	D	E	E	E	E	E	E	E	E	E	E	E	
	C	E	E	E	E	E	E	E	E	E	E	E	
	B	E	E	E	E	E	E	E	E	E	E	E	
	A	E	E	E	E	E	E	E	E	E	E	E	

48S

PART NUMBER	ROWS	SIGNAL	
		1	2
2-292498-3	D	E	E
	C	E	E
	B	E	E
	A	E	E

8S

D2

PART NUMBER	ROWS	SIGNAL							
		1	2	3	4	5	6	7	8
2-292498-4	D	E	E	E	E	E	E	E	E
	C	E	E	E	E	E	E	E	E
	B	E	E	E	E	E	E	E	E
	A	E	E	E	E	E	E	E	E

32S

D2

THIS DRAWING IS A CONTROLLED DOCUMENT.

REV: 00
 DATE: 18DEC2006
 BY: JZARRO
 CHK: TREP2007

INCHES: 0.125
 PART NUMBER: 2-292498-0
 TITLE: SLIDE TO LOCK PANEL MOUNT CABLE RECEPTACLE HOUSING WITH GUIDES MULTI-BEAM XL

SCALE: 1:1
 SHEET: 5 OF 5
 CUSTOMER DRAWING: A1007790-292498

TE Connectivity