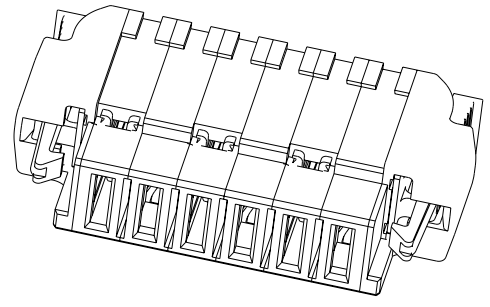
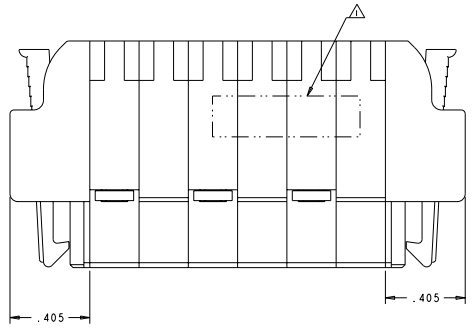
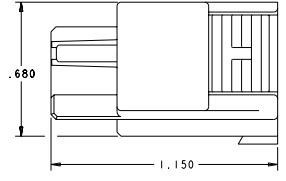
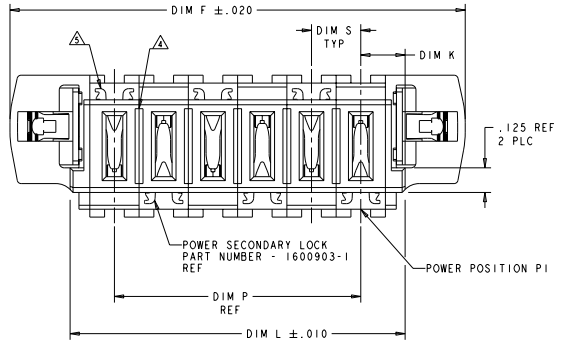


DATE DRAWING TO BE PUBLISHED: 08
 RECEIVED FOR PUBLICATION: 08
 (C) COPYRIGHTED BY: ALL RIGHTS RESERVED

REV	DATE	REVISIONS	BY	CHK	APP
E1	00	REVISED PER ECO-11-005033	1600798	BA	HRB
E2		ADD NEW PART -17	1600798	AT	SZ
E3		REV PER ECR-11-019151	1600798	AT	SZ



ISOMETRIC VIEW
SCALE 4:1



ES	DIM F	DIM S	DIM L	DIM K	DIM F	DESCRIPTION	PART NUMBER
(E1)	1.050	.350	1.500	.225	2.110	4P	1-1600798-8
(E2)	.750	.375	1.200	.225	1.810	3P	1-1600798-7
	.750	.250	1.200	.225	1.810	4P	1-1600798-5
(E)	1.500	.300	2.050	.275	2.660	6ACP	1-1600798-4
	.900	.300	1.450	.275	2.060	4ACP	1-1600798-3
	.700	.350	1.150	.225	1.760	3P	1-1600798-2
	.250	.250	.700	.225	1.310	2P	1-1600798-1
	1.800	.300	2.350	.275	2.960	7ACP	1-1600798-0
	.600	.300	1.150	.275	1.760	3ACP	1600798-8
(A)	.300	.300	.850	.275	1.460	2ACP	1600798-7
(A)	.600	.300	1.150	.275	1.760	3ACP	1600798-5
	.750	.250	1.200	.225	1.810	4P	1600798-4
	.500	.250	.950	.225	1.560	3P	1600798-3
	.300	.300	.850	.275	1.460	2ACP	1600798-2
	1.250	.250	1.700	.225	2.310	6P	1600798-1

- △ COMPANY TRADEMARK. PART NUMBER, AND DATE CODE TO BE MARKED IN APPROXIMATE AREA SHOWN. PARTS UNDER 2.00 LONG MAY BE MARKED ON BOTH SIDES.
- △ THERMO PLASTIC. UL94 V-0
- △ NOT RELEASE FOR PRODUCTION
- △ W/O THE NARROW OPEN IS FOR 1600798-7 ONLY NOW.
- △ SECONDARY LOCK (1600903) WILL BE INSERTED AFTER CABLE WIRE ASSEMBLED

THIS DRAWING IS A CONTROLLED DOCUMENT. **TE CONNECTIVITY**

UNLESS OTHERWISE SPECIFIED: DIMENSIONS IN INCHES. TOLERANCES: FRACTIONAL DECIMALS. DIMENSIONS IN MILLIMETERS. TOLERANCES: DECIMALS. UNLESS OTHERWISE SPECIFIED: DIMENSIONS IN MILLIMETERS. TOLERANCES: DECIMALS.

DATE: 11-13-12
 DRAWN BY: 1600798
 CHECKED BY: 1600798
 APPROVED BY: 1600798

STATE: CA
 CITY: SAN JOSE
 ZIP: 95134

STANDARD: MIL-17-BEAM XL
 PART NUMBER: 1600798-1600798
 CUSTOMER DRAWING

TE CONNECTIVITY
 SQUEEZE TO RELEASE CABLE RECEPTACLE HOUSING ASSY. WITH RET. MIL-17-BEAM XL

PAGE 1 OF 3

REV	ES	00	DATE	DESCRIPTION	BY	CHK
				SEE SHEET 1		

PART NUMBER	ROWS	POWER					
		P6	P5	P4	P3	P2	P1
1600798-1	D C B A	RM	RM	RM	RM	RM	RM
6P							

PART NUMBER	ROWS	POWER	
		P2	P1
1600798-7	D C B A	RM	RM
2ACP			

PART NUMBER	ROWS	POWER		
		P3	P2	P1
1-1600798-2	D C B A	RM	RA	RA
3P				

PART NUMBER	ROWS	POWER	
		P2	P1
1600798-2	D C B A	RM	RM
2ACP			

PART NUMBER	ROWS	POWER		
		P3	P2	P1
1600798-8	D C B A	RA	RM	RM
3ACP				

PART NUMBER	ROWS	POWER			
		P4	P3	P2	P1
1-1600798-3	D C B A	RM	RM	RM	RM
4ACP					

PART NUMBER	ROWS	POWER		
		P3	P2	P1
1600798-3	D C B A	RM	RM	RM
3P				

PART NUMBER	ROWS	POWER						
		P7	P6	P5	P4	P3	P2	P1
1-1600798-0	D C B A	RM	RM	RM	RA	RM	RM	RM
7ACP								

PART NUMBER	ROWS	POWER					
		P6	P5	P4	P3	P2	P1
1-1600798-4	D C B A	RM	RM	RM	RM	RM	RM
6ACP							

PART NUMBER	ROWS	POWER			
		P4	P3	P2	P1
1600798-4	D C B A	RM	RM	RM	RM
4P					

PART NUMBER	ROWS	POWER	
		P2	P1
1-1600798-1	D C B A	RM	RM
2P			

PART NUMBER	ROWS	POWER			
		P4	P3	P2	P1
1-1600798-5	D C B A	RM	RA	RA	RA
4P					

PART NUMBER	ROWS	POWER		
		P3	P2	P1
1600798-5	D C B A	RM	RM	RM
3ACP				

PART NUMBER	ROWS	POWER		
		P3	P2	P1
1-1600798-7	D C B A	RM	RM	RM
3P				

PART NUMBER	ROWS	POWER							
		P8	P7	P6	P5	P4	P3	P2	P1
1600798-6	D C B A	RM	RM	RM	RM	RM	RM	RM	RM
8P									

REFERENCE WIRE CHART AND CONTACTS		
HOUSING MODULE	CONTACT	INSULATION DIAMETER RANGE
.300 POWER	8 - 10 1600960 REF	[.176 - .272]
.250 POWER	8 - 10 1600960 REF	[.176 - .203]
	12 - 14 1600961 REF	[.156 - .176]
.200 POWER	12 - 14 1600961 REF	[.120 - .156]
	22 - 26 531216-5 REF	[.036 - .069]

RM	STANDARD POWER
RA	MFBL POWER
E	SIGNAL CONTACT
CODE	DESCRIPTION

THIS DRAWING IS A CONTROLLED DOCUMENT. **CTE** TE Connectivity

INCHES: 1/16, 1/8, 3/16, 1/4, 3/8, 1/2, 5/8, 3/4, 7/8, 1, 1 1/8, 1 1/4, 1 3/4, 2, 2 1/2, 3, 3 1/2, 4, 4 1/2, 5, 5 1/2, 6, 6 1/2, 7, 7 1/2, 8, 8 1/2, 9, 9 1/2, 10

DATE: 198-2157
 REVISION: 11-13-11Z
 CUSTOMER DRAWING: A | 00779 | 1600798

STATE: CA
 CITY: SAN JOSE
 ZIP: 95134

REVISION: 11-13-11Z
 CUSTOMER DRAWING: A | 00779 | 1600798

DATE: 11-13-11Z
 SHEET: 2 OF 3
 PAGE: 3


8 7 6 5 4 3 2 1

THIS DRAWING IS UNPUBLISHED
 RECEIVED FOR PUBLICATION
 ALL RIGHTS RESERVED

REV	DATE	DESCRIPTION	BY	CHK	APP
ES	00	SEE SHEET 1			

PART NUMBER	ROSG	POWER			
		P4	P3	P2	P1
1-1600798-8	D	<input type="checkbox"/>	<input type="checkbox"/>	<input type="checkbox"/>	<input type="checkbox"/>
	C	<input type="checkbox"/>	<input type="checkbox"/>	<input type="checkbox"/>	<input type="checkbox"/>
	B	<input type="checkbox"/>	<input type="checkbox"/>	<input type="checkbox"/>	<input type="checkbox"/>
	A	<input type="checkbox"/>	<input type="checkbox"/>	<input type="checkbox"/>	<input type="checkbox"/>
4P					

(E3)

THIS DRAWING IS A CONTROLLED DOCUMENT.		DATE PUBLISHED: 01MAY05	STANDARD: 01MAY05	 MTE Connectivity	
DIMENSIONS: INCHES UNLESS OTHERWISE SPECIFIED	DRAWING NUMBER: 1-1600798-8 REV: 00 DATE: 01MAY05 BY: 00000 APP: 00000	PART NAME: SQUEEZE TO RELEASE CABLE RECEPTACLE HOUSING ASSY WITH RET. MULTIBEAM XL	DRAWING TITLE: SQUEEZE TO RELEASE CABLE RECEPTACLE HOUSING ASSY WITH RET. MULTIBEAM XL	STATE: CA COUNTY: 00000 CITY: 00000	DRAWING NO: 1-1600798-8 REV: 00 DATE: 01MAY05
MATERIAL: 1-1600798-8 FINISH:		STATE: CA COUNTY: 00000 CITY: 00000	DRAWING NO: 1-1600798-8 REV: 00 DATE: 01MAY05	DRAWING NO: 1-1600798-8 REV: 00 DATE: 01MAY05	DRAWING NO: 1-1600798-8 REV: 00 DATE: 01MAY05
CUSTOMER DRAWING		DRAWING NO: 1-1600798-8 REV: 00 DATE: 01MAY05	DRAWING NO: 1-1600798-8 REV: 00 DATE: 01MAY05	DRAWING NO: 1-1600798-8 REV: 00 DATE: 01MAY05	DRAWING NO: 1-1600798-8 REV: 00 DATE: 01MAY05