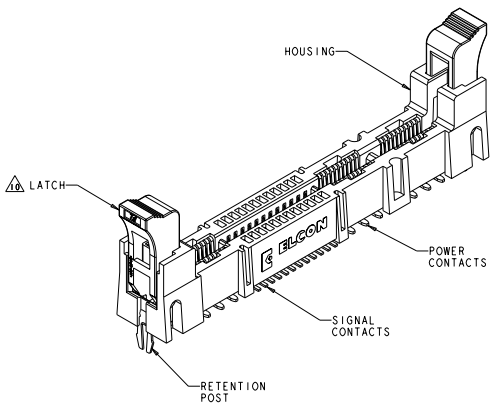


REV	DATE	DESCRIPTION	BY	CHKD	APPD
E	REV PER ECO-08-001881		ELM/DMH	RG	PD
F	REV PER ECO-08-003143		SPR/DMH	RG	PD
G	REV PER ECO-08-010289		ELM/DMH	RG	PD



- PART NUMBER CHANGES AND OR DESIGN CHANGES AFFECTING ITEM INTERCHANGEABILITY REQUIRE PRIOR TYCO ELECTRONICS APPROVAL AND AUTHORIZATION BY REVISION TO THIS DRAWING.
- MATERIAL:
  - HOUSING: GLASS FILLED POLYESTER, COLOR-BLACK UL94V-0 FLAMMABILITY RATED
  - LATCHES: THERMOPLASTIC, GLASS REINFORCED, COLOR: BLACK, UL94V-0 FLAMMABILITY RATED
  - CONTACTS: COPPER ALLOY
  - RETENTION POST: COPPER ALLOY
- FINISH:
  - SIGNAL CONTACTS:
    - MATING AREA-0.76µm MIN GOLD OVER 3.81µm MIN NICKEL
    - 0.64µm MIN NICKEL PLATE OVER REMAINDER
    - SMT TAILS-3.81µm MIN MATTE TIN OVER NICKEL PLATE
  - POWER CONTACTS:
    - 1.27µm MIN NICKEL PLATE ALL OVER
    - MATING AREA-0.76µm MIN GOLD OVER NICKEL PLATE
    - SMT TAILS-3.05µm MIN TIN OVER NICKEL PLATE
  - RETENTION POSTS:
    - 3.05µm MIN MATTE TIN OVER 0.63µm MIN NICKEL
- ITEMS PROVIDED TO THIS SPECIFICATION TO BE PERMANENTLY IDENTIFIED WITH PART NUMBER AND DATE CODE.
- MAXIMUM BURR OF 0.013 ON CARD TAB AREA.
- SET TRACE BACK FROM PC BOARD EDGE, NO SOLDERMASK ALLOWED BETWEEN PC BOARD EDGE AND TRACE.
- CONNECTOR ACCEPTS 1.57±0.13 THICK PC BOARD.
- KEEP OUT AREA FOR COMPONENTS ONLY.
- FEATURE REQUIRED FOR USE WITH EJECTOR.
- CAUTION:
  - LATCHES ARE INTENDED FOR RETENTION OF PC BOARD TO CONNECTOR. DO NOT ATTEMPT TO FULLY EJECT PC BOARD FROM CONNECTOR WHILE DISENGAGING LATCHES, DAMAGE TO LATCHES AND OR CONNECTOR MAY OCCUR.
- RECOMMENDED GOLD FINGER LENGTH FOR RELIABLE CONTACT.
- DATUMS AND BASIC DIMENSIONS ESTABLISHED BY CUSTOMER.
- FOR DESIGN OBJECTIVES SEE 108-2301.
- THIS PRODUCT HAS NOT PASSED QUALIFICATION TESTING.

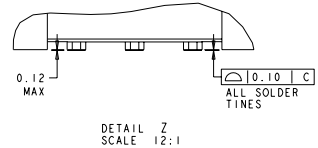
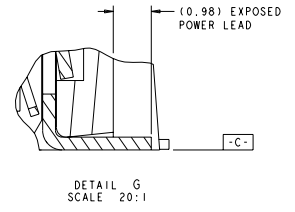
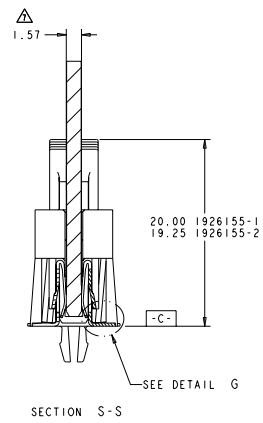
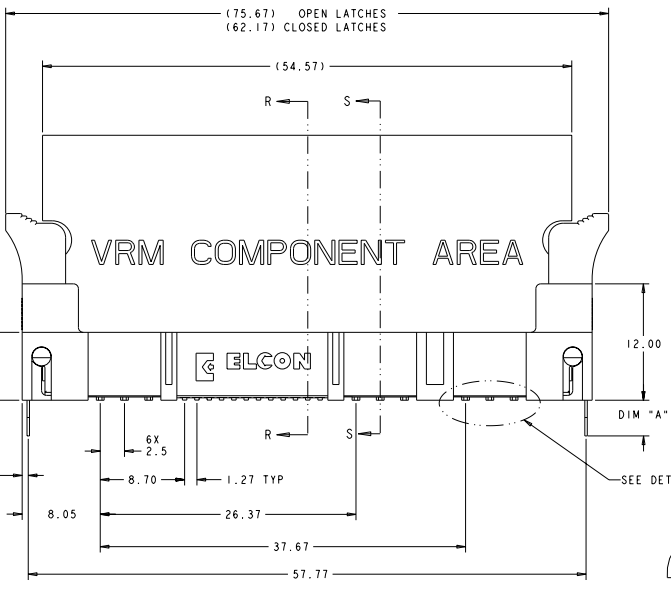
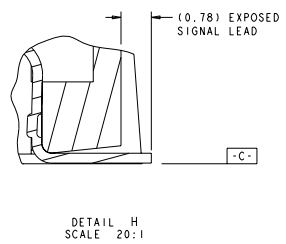
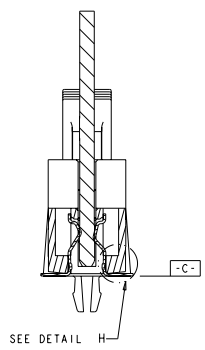
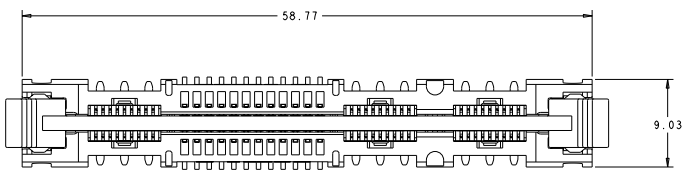
4.61	1926155-4
4.19	1926155-3
3.68	1926155-2
DIM "A"	PART NUMBER

DATE: 08/25/08 TIME: 10:30 AM DRAWING NO: 1926155-2 REV: 00 CUSTOMER DRAWING		DATE: 08/25/08 TIME: 10:30 AM DRAWING NO: 1926155-2 REV: 00 CUSTOMER DRAWING		DATE: 08/25/08 TIME: 10:30 AM DRAWING NO: 1926155-2 REV: 00 CUSTOMER DRAWING	
DATE: 08/25/08 TIME: 10:30 AM DRAWING NO: 1926155-2 REV: 00 CUSTOMER DRAWING		DATE: 08/25/08 TIME: 10:30 AM DRAWING NO: 1926155-2 REV: 00 CUSTOMER DRAWING		DATE: 08/25/08 TIME: 10:30 AM DRAWING NO: 1926155-2 REV: 00 CUSTOMER DRAWING	

Tyco Electronics  
 Harrisburg, PA 17105-3600  
 SOCKET CONNECTOR WITH LATCH, SMT  
 P2-S24-P4 MINI CROWN EDGE  
 STATE CASE CODE (SEE DRAWING 40)  
 00779 © 1926155  
 SHEET 5:1 OF 4

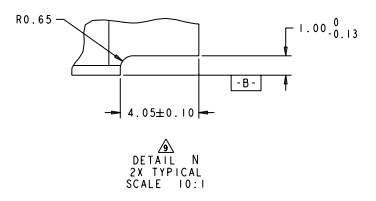
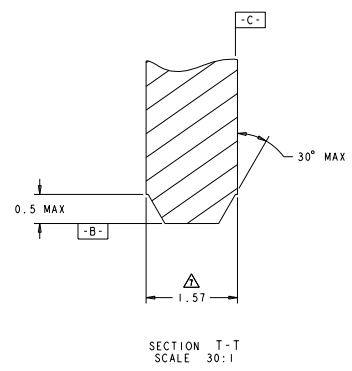
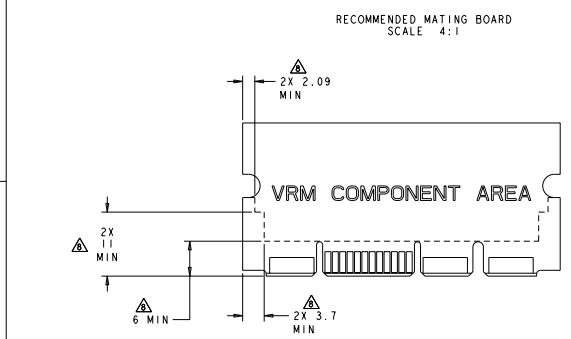
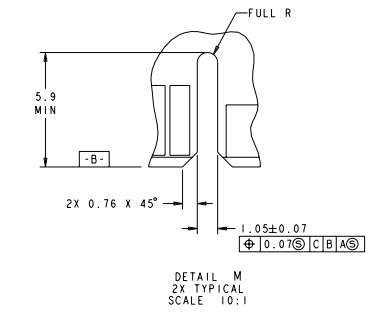
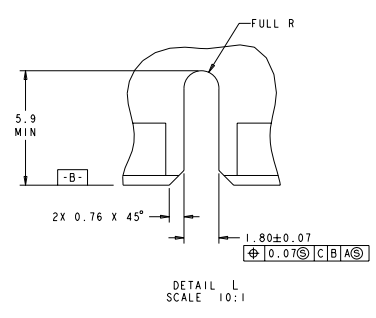
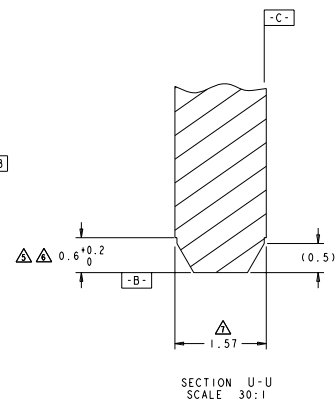
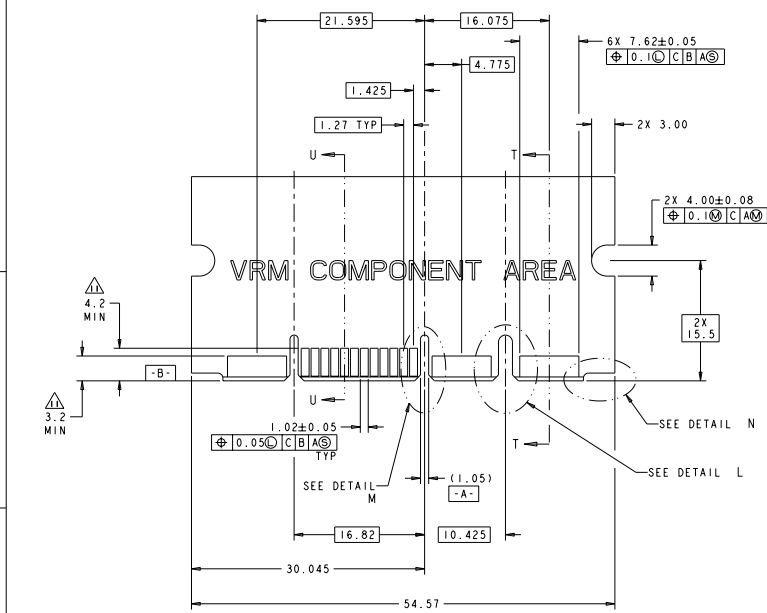
DATE: 08/24/2016 BY: PACE ELECTRONICS CORPORATION ALL RIGHTS RESERVED

REV	DATE	DESCRIPTION	BY	CHK	APP
00		SEE SHEET 1			



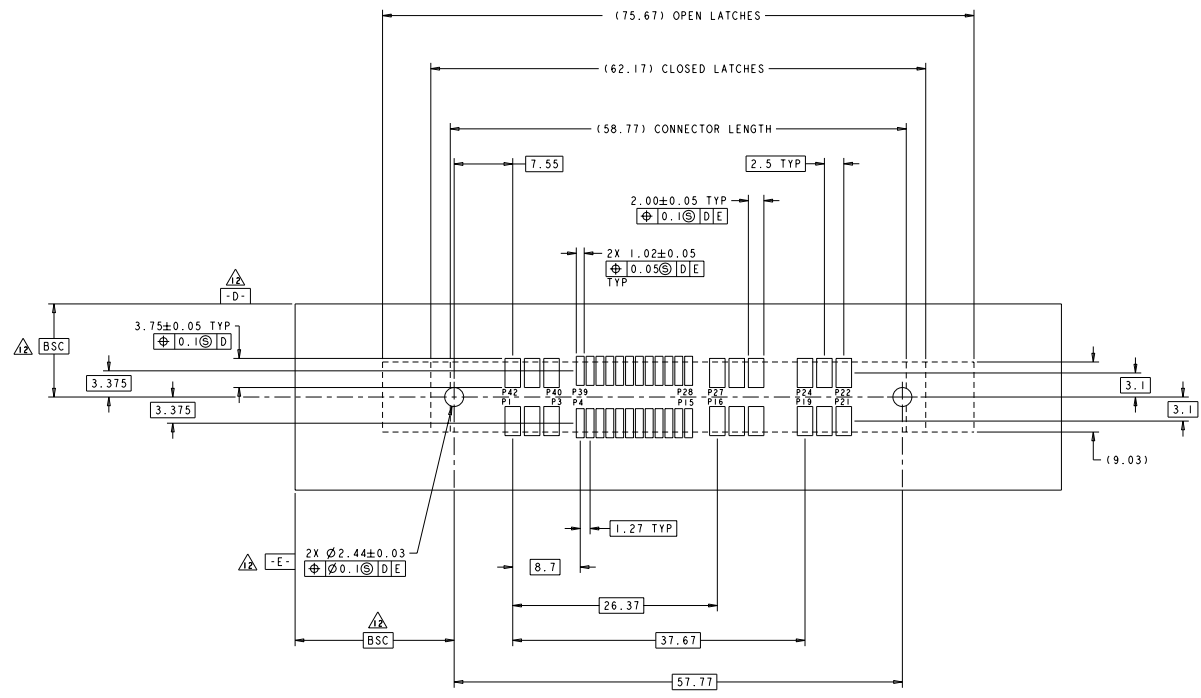
DATE: 08/24/2016	BY: PACE ELECTRONICS CORPORATION	REV: 00	DESCRIPTION: SEE SHEET 1
<b>Elcon</b>		<b>Yan Electronics</b> Harrisburg, PA 17105-3600	
PART: P2-S24-P4 QTY: 1000 PRICE: \$0.15	ORDER: 1926155-1 DATE: 08/24/2016 BY: PACE ELECTRONICS CORPORATION	DRAWING: 1926155-1 SCALE: 1:1 SHEET: 2 OF 4	TITLE: SOCKET CONNECTOR WITH LATCH, SMT P2-S24-P4 MINI CROWN EDGE STATE: PA COUNTY: BERKSHIRE ZIP: 17105-3600

REV	DATE	DESCRIPTION	BY	CHK	APP
00		SEE SHEET 1			



DATE: 08/20/2018	BY: TERRY ELECTRONICS CORPORATION	REV: 00	DATE: 08/20/2018	BY: TERRY ELECTRONICS CORPORATION
DATE: 08/20/2018	BY: TERRY ELECTRONICS CORPORATION	REV: 00	DATE: 08/20/2018	BY: TERRY ELECTRONICS CORPORATION
DATE: 08/20/2018	BY: TERRY ELECTRONICS CORPORATION	REV: 00	DATE: 08/20/2018	BY: TERRY ELECTRONICS CORPORATION
DATE: 08/20/2018	BY: TERRY ELECTRONICS CORPORATION	REV: 00	DATE: 08/20/2018	BY: TERRY ELECTRONICS CORPORATION

REV	DATE	DESCRIPTION	BY	CHK	APP
00		SEE SHEET 1			



RECOMMENDED SOLDER LAND GUIDELINE  
 AS VIEWED FROM CONNECTOR SIDE  
 SCALE 4:1

TAYLOR ELECTRONICS CORPORATION 1000 W. MARKET STREET HARRISBURG, PA 17105-3600 TEL: 717-631-1000 FAX: 717-631-1001 WWW.TAYLOR-ELECTRONICS.COM		DATE: 05/27/2016 TIME: 10:34 AM USER: JH PLOT: 1 PLOT: 1		FILE: 25MAY2006 SHEET: 001 TOTAL SHEETS: 002	
CUSTOMER: TAYLOR ELECTRONICS CORPORATION PART: P2-S24-P4 MINI CROWN EDGE REV: 001		TITLE: SOCKET CONNECTOR WITH LATCH, SMT P2-S24-P4 MINI CROWN EDGE		STATE: PA COUNTY: YORK CITY: HARRISBURG ZIP: 17105-3600	
CUSTOMER DRAWING: A SCALE: 4:1 SHEET: 4 OF 4 FILE: G		DATE: 05/27/2016 TIME: 10:34 AM USER: JH PLOT: 1 PLOT: 1		FILE: 25MAY2006 SHEET: 001 TOTAL SHEETS: 002	