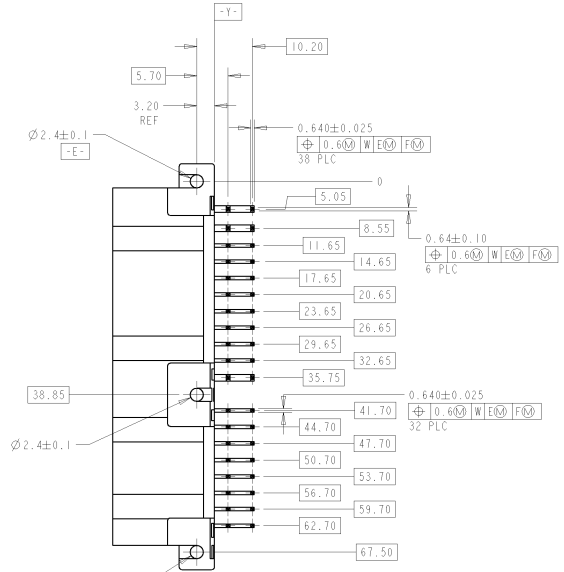
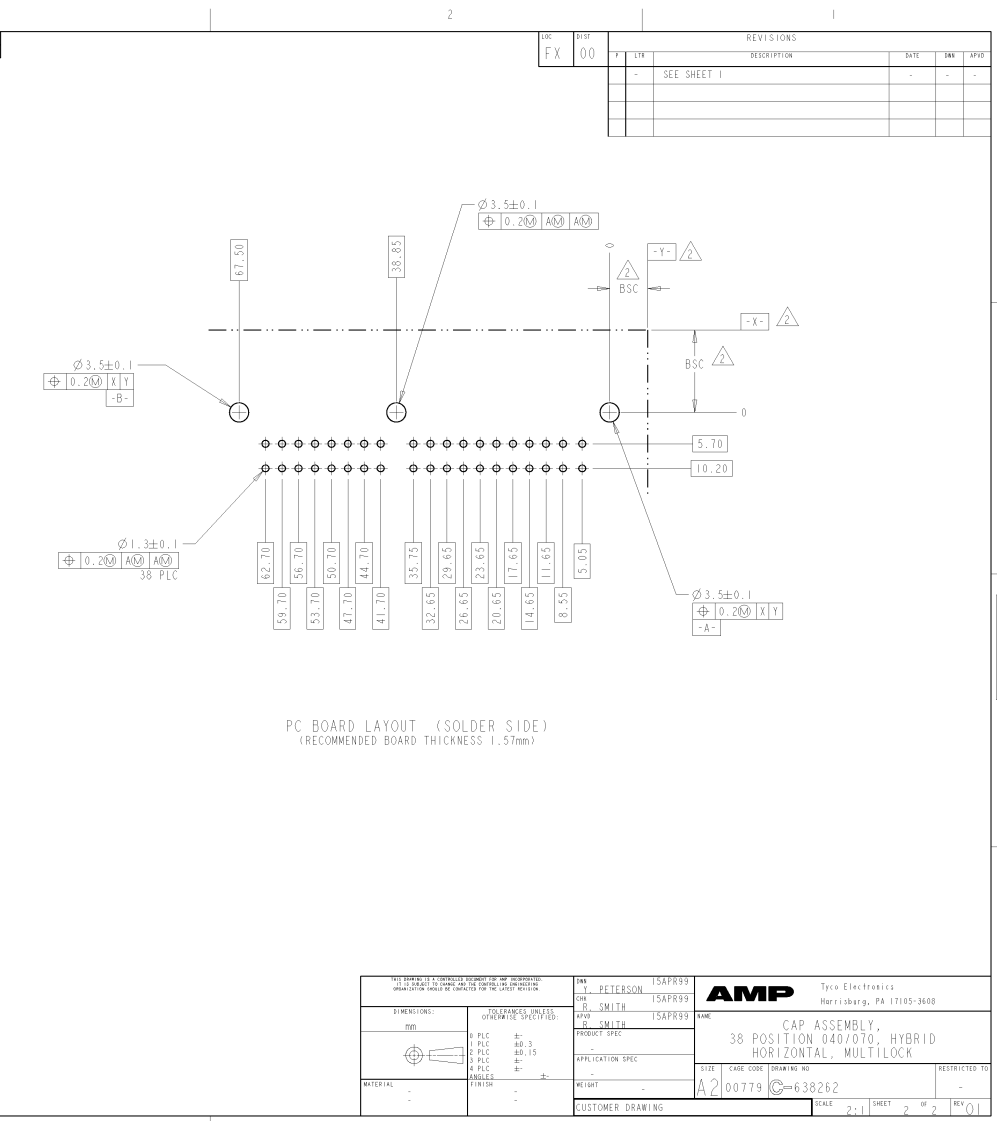
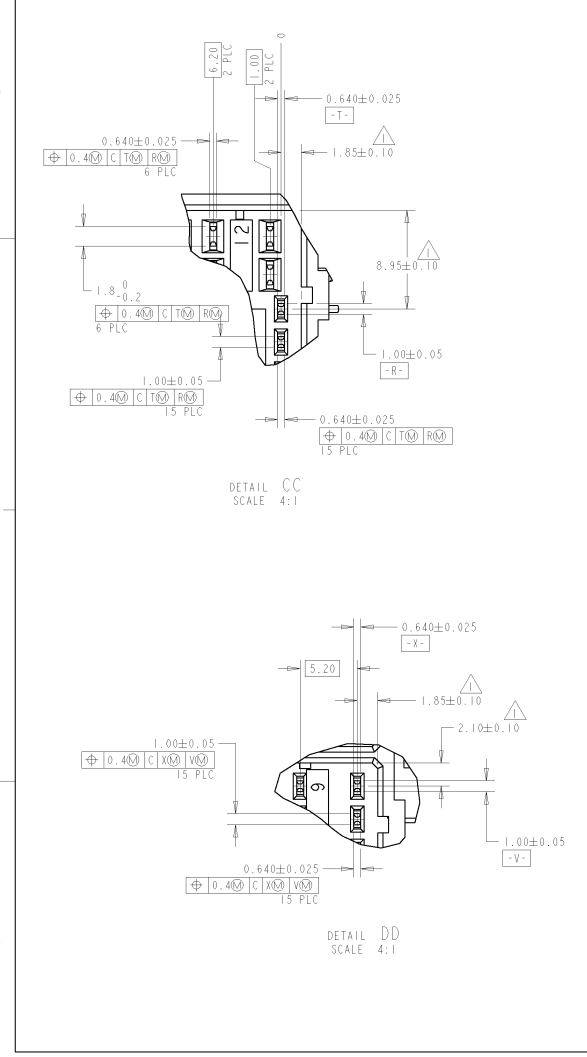


- △ DIMENSION MUST BE HELD BETWEEN [-C-] AND 2mm FROM [-C-]
- △ DATUMS AND BASIC DIMENSIONS ESTABLISHED BY CUSTOMER.
- 3. THE MATING PLUG PART NUMBERS ARE 917981 AND 917989.
- 4. RECOMMENDED MOUNTING SCREW: 3mm DIA., 6mm LENGTH MAXIMUM, PAN HEAD, CLASS 2 TAPPING SCREW SPECIFIED IN JIS B1115 AND B1122, TIGHTEN TORQUE 4kg-cm MAXIMUM.

| REV | DATE | BY | CHKD | DESCRIPTION |
|-----|------------|-----|------|------------------------------|
| 0 | 2008-06-00 | JRB | BAS | RELEASED PER EC 0080-0068-00 |
| 01 | 2008-07-04 | DLD | RMC | REVISED PER EC 0080-0171-04 |



| | | | | |
|----------------------------------------------------------------------------------------------------------------------------------------------------------------------------------------------------------------------------------------------------------------------------------------------------------------------------------------------------------------------------------------------------------------------------------------------------------------------------------------|------------------------|-----------------------------------------------------------------------------------------------------------------------------------------------------------|----------------------|------------------------|
| POST TIN CONTACT FINISH | BRASS CONTACT MATERIAL | GRAY COLOR | PBT HOUSING MATERIAL | 9-638262-6 PART NUMBER |
| DIMENSIONS: 0 PLC 8.0, 1 PLC 8.3, 2 PLC 8.15, 3 PLC 8.0, 4 PLC 8.0, 5 PLC 8.0, 6 PLC 8.0, 7 PLC 8.0, 8 PLC 8.0, 9 PLC 8.0, 10 PLC 8.0, 11 PLC 8.0, 12 PLC 8.0, 13 PLC 8.0, 14 PLC 8.0, 15 PLC 8.0, 16 PLC 8.0, 17 PLC 8.0, 18 PLC 8.0, 19 PLC 8.0, 20 PLC 8.0, 21 PLC 8.0, 22 PLC 8.0, 23 PLC 8.0, 24 PLC 8.0, 25 PLC 8.0, 26 PLC 8.0, 27 PLC 8.0, 28 PLC 8.0, 29 PLC 8.0, 30 PLC 8.0, 31 PLC 8.0, 32 PLC 8.0, 33 PLC 8.0, 34 PLC 8.0, 35 PLC 8.0, 36 PLC 8.0, 37 PLC 8.0, 38 PLC 8.0. | | AMP Tych Electronics Harrisburg, PA 17105-3400 CAP ASSEMBLY, 38 POSITION 040/070, HYBRID HORIZONTAL, MULTILOCK SCALE: 2:1 SHEET 1 OF 2 REV 01 | | |



| REVOLUTIONS | | DATE | BY | APPROV |
|-------------|-------------|------|----|--------|
| FX | 00 | | | |
| TY | LTH | | | |
| | SEE SHEET 1 | | | |

| | | | |
|----------------------------------------------------------------------------------------------------------------|---------------------------------------------------------------------------------------------------------------------------------------------------------------------------------------|--------------------------------------------------------------------------------------------------|------------------------------------------------------------------------------------------------------------------------------------------------------------------------------------|
| <small>THIS DRAWING IS UNPUBLISHED. RELEASED FOR PUBLICATION BY AMP INCORPORATED. ALL RIGHTS RESERVED.</small> | | DWG. BY: PETERSON ISAPR89 CHKD. BY: SMITH ISAPR89 APPR. BY: SMITH ISAPR89 | AMP Tyco Electronics Harrisburg, PA 17105-3400 |
| DIMENSIONS: mm | DIMENSIONS UNLESS OTHERWISE SPECIFIED: 0 PLC ±.010 1 PLC ±.015 2 PLC ±.020 3 PLC ±.030 4-15 PLC ±.050 16-38 PLC ±.100 ANGLES: ALL 90° UNLESS OTHERWISE SPECIFIED | FINISH: ALL SURFACES UNLESS OTHERWISE SPECIFIED APPLICATION SPEC: - WEIGHT: - FINISH: - | CAP ASSEMBLY, 38 POSITION 040/070, HYBRID HORIZONTAL, MULTILOCK SIZE: A2 CASE CODE: 100779 DRAWING NO: 638262 RESTRICTED TO: - SCALE: 2:1 SHEET 2 OF 2 REV Q1 |