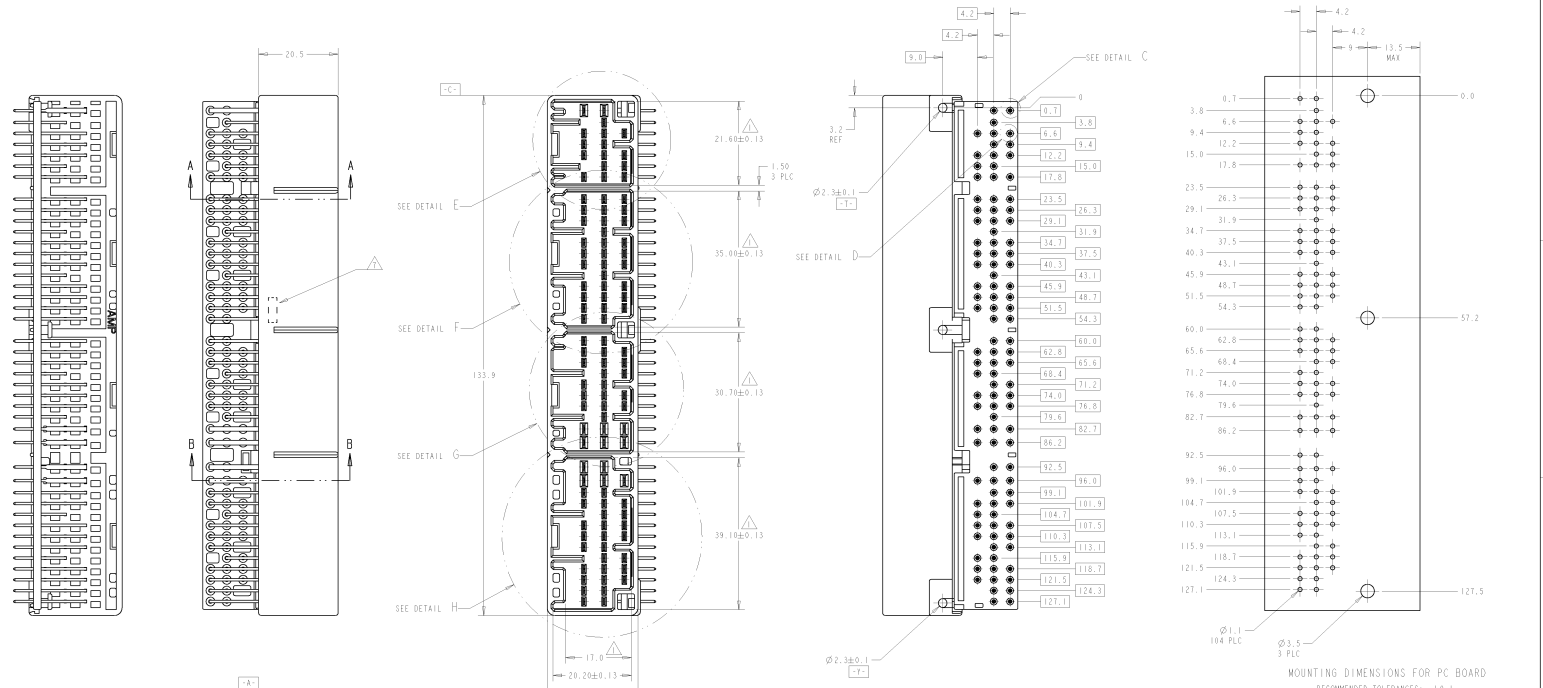


DATE APPROVED BY: [Signature]	REVISED FOR FACILITIES:
BY: [Signature]	BY: [Signature]

REV	DATE	DESCRIPTION	BY	CHK	APP
01		REV PER EC 0800-01-00-03	JMORRIS	REV	TJJ
02		REV PER EC 0800-01-00-03	JMORRIS	REV	TJJ
03		REV PER EC 0800-0409-03	STANAKA	REV	TJJ

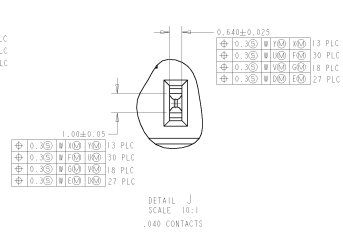
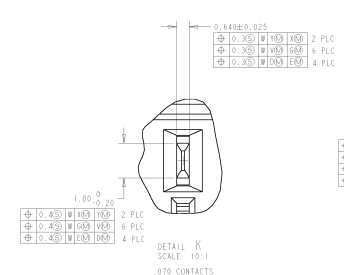
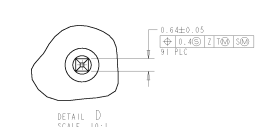
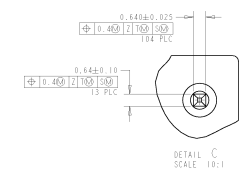
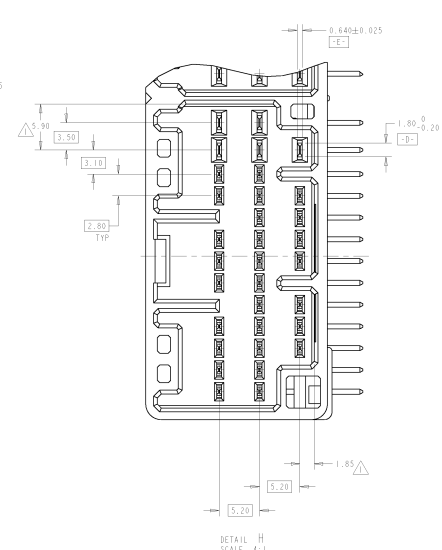
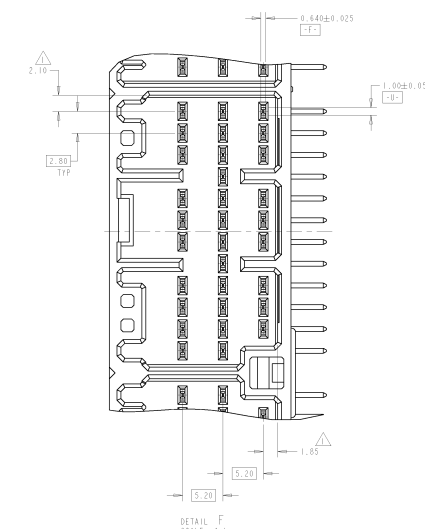
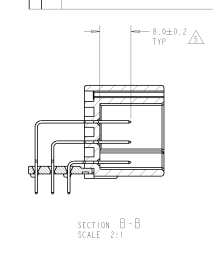
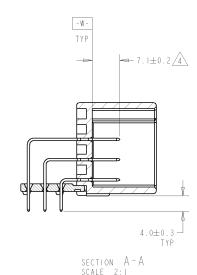
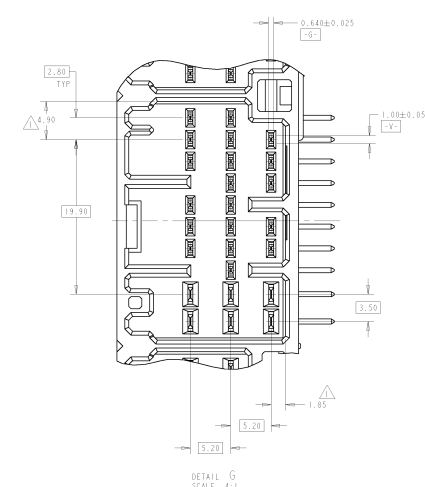
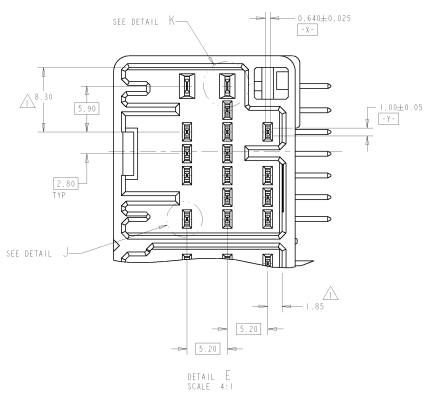


- MOUNTING DIMENSIONS FOR PC BOARD
RECOMMENDED TOLERANCES: ±0.1
- ⚠ MUST BE MEASURED BETWEEN [X] AND 2.00MM
 - 2. MATING PLUG HOUSING PART NUMBERS: 179670, 179679, 179680, 179681
 - 3. RECOMMENDED MOUNTING SCREW: 5MM DIA. 4MM LG MAX. PAN HD. CLASS 2. TAPPING SCREW SPECIFIED IN JIS B1115, B1112. TIGHTENING TORQUE: 0.4Nm (40g-cm) MAX.
 - ⚠ FOR .040 TAB
 - ⚠ FOR .010 TAB
 - ⚠ MATING FINISH: .040 TABS - GOLD. .010 TABS - PREPLATED TIN
 - ⚠ DATE CODE BY HOT STAMP

GRAY		638170-6	
HOUSING COLOR		PART NUMBER	
ASSY. CAP HOUSING, 104 POSN. 0401170D11 HD HYBRID I/O CONNECTOR	100-5441 50.13 GRAM	00779	638170

DATE: 08/11/03 BY: J. J. ...
 REVISED FOR FACILITIES ...
 (3) CONTINUED ON ...

REV	FX	DATE	DESCRIPTION	BY	CHK	APP
1			REVISIONS			
2	55	11/01/03	SEE SHEET 1			



AMP ASSY. CAP HOUSING, 104 POSN 0401170111 HD HYBRID I/O CONNECTOR		AMP AMP Incorporated Harrisburg, PA 17105-0001
PART NO: 00779 REV: A1	CASE FILE: 638170 DATE: 11/01/03	DRAWN BY: J. J. ... CHECKED BY: ... APPROVED BY: ...