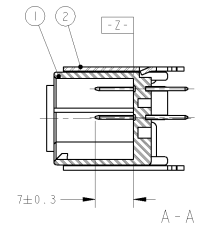
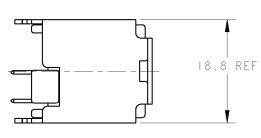
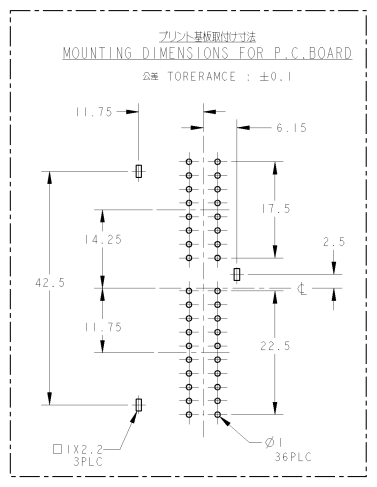
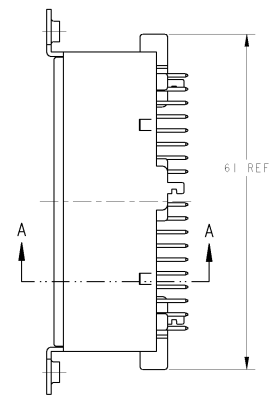
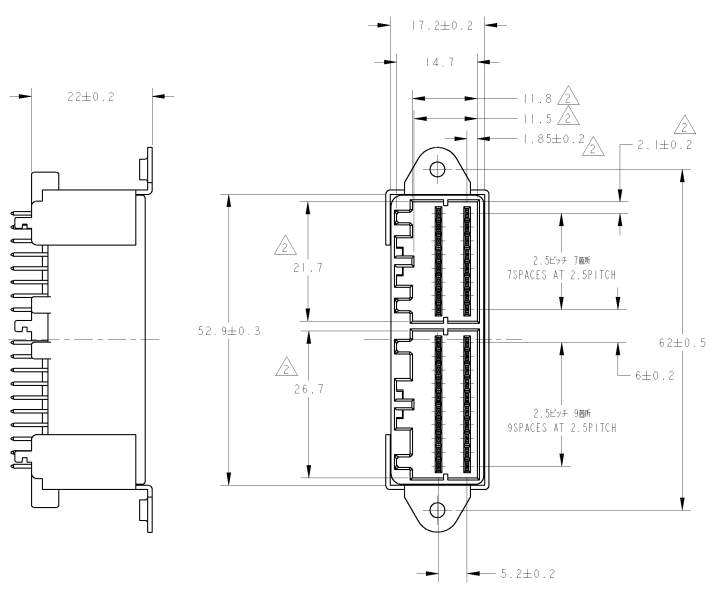
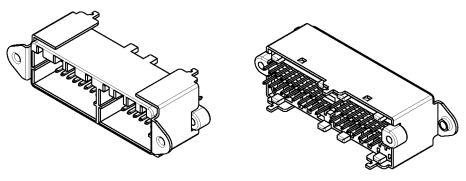


REV. NO.	DATE	BY	CHKD	DESCRIPTION
0	28-Apr-04	ET	YF	RELEASED



- THE MATING PLUG HOUSING PART NUMBER: 175966, 175967
  - TO BE MEASURED WITHIN 2mm FROM [-Z-]
  - CUSTOMER MANUAL: 412-5475
1. 嵌合相手/ワシング標準 : 175966, 175967  
 2. [-Z-] 部より 2mmの範囲で測定  
 3. 取組説明書 : 412-5475



1	HOLDER	ZINC PLATED STEEL	2
1	36POS CAP ASSY	PBT:BLACK/PRE-TINNED COPPER ALLOY	1
-1	NAME	MATERIAL/COLOR	ITEM NO.
OWN	20-Apr-04	tyco	Tyco Electronics AMP K.K.
DRW	E. TAKIZAWA	Electronics	Kawasaki, Japan
CHK	T. NAGUCHI	040 11 MLC CONNECTOR MK-11	
APP	T. FUKIYAMA	36POS CAP ASSY HOLDER	
PROOF SPEC	108-5281	SIZE	CODE CODE DRAWING NO
APPLICATION SPEC		A2	100779 C=1747211
MATERIAL	SEE TABLE	WEIGHT	24 g
FINISH	SEE TABLE	CUSTOMER DRAWING	SCALE 2:1 SHEET 1 OF 1 REV 0