

4

3

2

1

THIS DRAWING IS UNPUBLISHED.

RELEASED FOR PUBLICATION

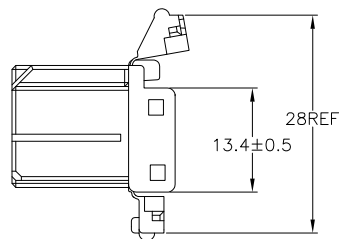
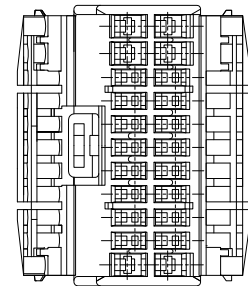
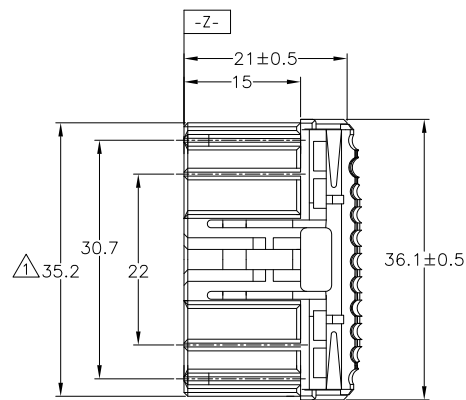
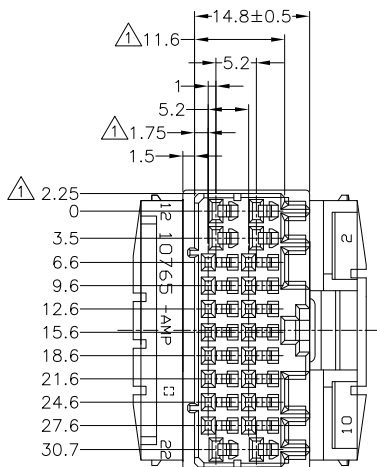
ALL RIGHTS RESERVED.

LOC DIST

REVISIONS

COPYRIGHT - By -

P	LTR	DESCRIPTION	DATE	DWN	APVD
D2		REVISED PER ECO-11-005140	28MAR11	RK	HMR



- ① MUST BE KEPT BETWEEN  $\boxed{-Z-}$  AND 2mm.  
 2. THE MATING CAP HOUSING PART NUMBER ; 174518  
 3. APPLIED CONTACT PART NUMBER ; 173631, 173716, 173630, 175094  
 4. APPLICABLE PRODUCT SPECIFICATION NUMBER ; 108-5280

- ①  $\boxed{-Z-}$  面より 2mm の範囲で測定  
 2. 嵌合相手ハウジング型番 ; 174518  
 3. 内装するリセパタクルコンタクト型番 ; 173631, 173716, 173630, 175094  
 4. 適用製品規格番号 ; 108-5280

黄	YELLOW	174515-7
淡灰	LIGHT GRAY	6-174515-6
灰	GRAY	174515-6
青	BLUE	174515-5
白	WHITE	174515-1
色	COLOR	PART NUMBER

THIS DRAWING IS A CONTROLLED DOCUMENT.

DIMENSIONS:	TOLERANCES UNLESS OTHERWISE SPECIFIED:
mm	
	0 PLC ± -
	1 PLC ± -
	2 PLC ± -
	3 PLC ± -
	4 PLC ± -
	ANGLES ± -
	FINISH -

MATERIAL PBT

DWN T.SHINOHARA 06SEP10

CHK K.BETSUI 06SEP10

APVD K.BETSUI 06SEP10

NAME

PRODUCT SPEC

SEE NOTE 4

APPLICATION SPEC

WEIGHT -

CUSTOMER DRAWING

HYBRID I/O CONNECTOR  
22 POSITION PLUG HOUSING

SIZE	CAGE CODE	DRAWING NO	RESTRICTED TO
A3	00779	C-174515	-

TOLERANCE UNLESS OTHERWISE SPECIFIED:
一般公差
0 - <math>x \leq 10</math> : ±0.2
10 - <math>x \leq 30</math> : ±0.25
30 - <math>x \leq 100</math> : ±0.3
ANGLE : ±3°
角度

SCALE	SHEET	REV
2:1	1 of 1	D2