

4

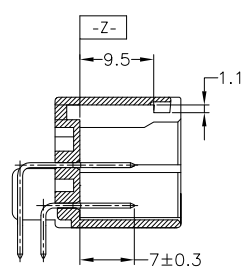
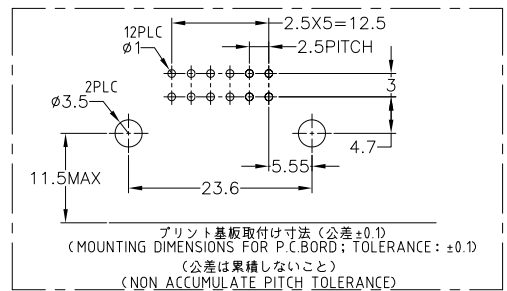
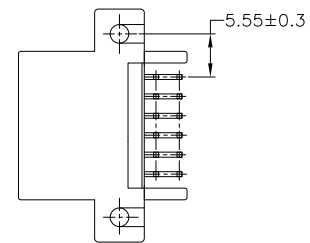
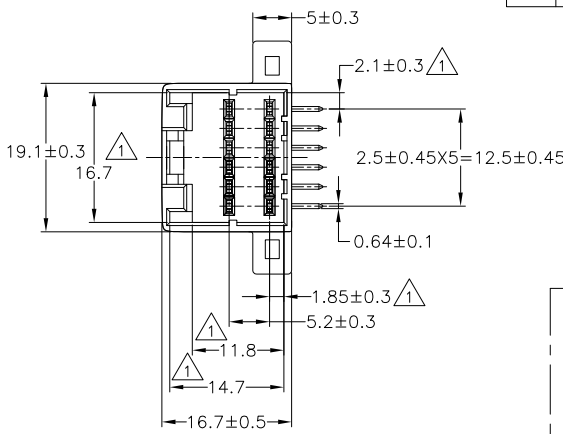
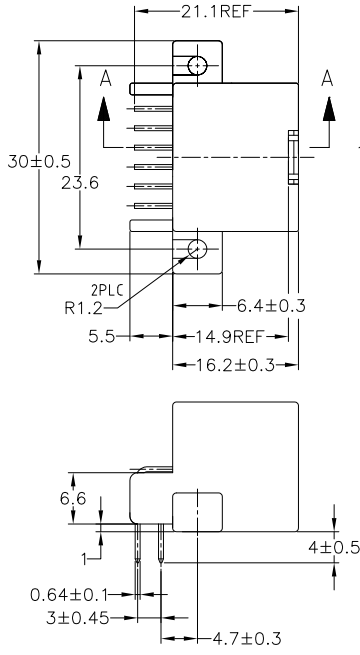
3

2

1

THIS DRAWING IS UNPUBLISHED. RELEASED FOR PUBLICATION
 © COPYRIGHT - By - ALL RIGHTS RESERVED.

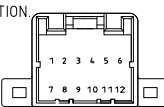
LOC	DIST	REVISIONS			
P	LTR	DESCRIPTION	DATE	DWN	APVD
J7		REVISED PER ECO-11-005140	28MAR11	RK	HMR



- △ TO BE MEASURED WITHIN 2mm FROM [-Z-]
- 2. APPLICABLE P.C. BOARD THICKNESS: 1.6mm
- 3. THE MATING PLUG HOUSING PART NUMBER: 174045
- 4. RECOMMENDED MOUNTING SCREW; 3mm DIA, 7mm LENGTH (MIN.) PAN HEAD, CLASS 2 TAPPING SCREW SPECIFIED IN JIS B1115, B1122 (TIGHTENING TORQUE: 0.4N-m MAX.)

- △ CIRCUIT NUMBER.
- △ PRELIMINARY NOT FOR PRODUCTION

- △ [-Z-] 面より2mmの範囲で測定。
- 2. 適用プリント基板厚: 1.6mm
- 3. 嵌合相手型番: 174045
- 4. 推奨取付けねじ: JIS B1115, B1122 タッピングねじ。なべ2種 呼び径3、長さ7mm以上 (締付けトルク: 0.4N-m 以下)
- △ 回路番号: 上図参照のこと。
- △ 非量産対象製品。



TOLERANCE UNLESS OTHERWISE SPECIFIED. 一般公差

0 < x < 10	: ±0.2
10 < x < 30	: ±0.25
30 < x < 100	: ±0.3
ANGLE	: ±3°
角度	

THIS DRAWING IS A CONTROLLED DOCUMENT.

DIMENSIONS: 単位: 種 mm	TOLERANCES UNLESS OTHERWISE SPECIFIED: 一般公差
0 PLC ±	1 PLC ±
2 PLC ±	3 PLC ±
4 PLC ±	ANGLES ±
MATERIAL 材料	FINISH 仕上
HOUSING: PBT	CONTACT: BRASS

5	6	10	4-174051-4
(PRE-TINNED) 鍍めつき (10)	(GOLD PLATED) 金めっき (2)	(BLACK) 黒	4-174051-2
(PRE-TINNED) 鍍めつき (10)	(GOLD PLATED) 金めっき (2)	(BLACK) 黒	3-174051-2
SEE 2-174051-2		(BLACK) 黒	2-174051-2
SEE 1-174051-4		(BLACK) 黒	1-174051-4
(GOLD PLATED) 金めっき (12)	---	(BLUE) 青	1-174051-2
(PRE-TINNED) 鍍めつき (12)	---	(GREEN) 緑	174051-5
(PRE-TINNED) 鍍めつき (12)	---	(GREEN) 緑	174051-4
(PRE-TINNED) 鍍めつき (12)	---	(BLACK) 黒	174051-2
FINISH OF CONTACT 接触仕上げ (本数)	CIRCUIT NO. OF GOLD PLATED CONTACT 金めっき端子使用回路番号	HOUSING COLOR ハウジング色	PART NUMBER 型番

WIRE RANGE 接合電線断面積	INSULATION DIA 絶縁外径
TE TE Connectivity	
040 SERIES MULTI-LOCK I/O CONNECTOR 12 POSITION CAP HOUSING ASSEMBLY (HORIZONTAL TYPE)	
NAME 名称	RESTRICTED TO
SIZE 寸法	CAGE CODE 庫番
DRAWING NO. 図番	SCALE 尺度
WEIGHT 重量	SHEET 1 of 1
CUSTOMER DRAWING	REV J7