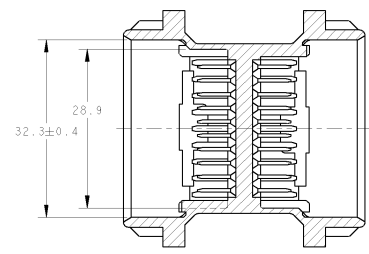
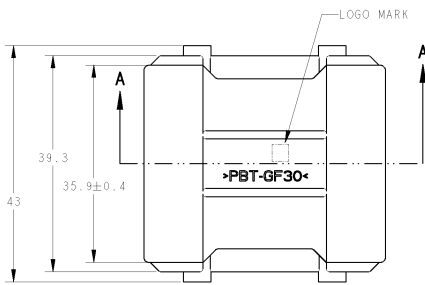
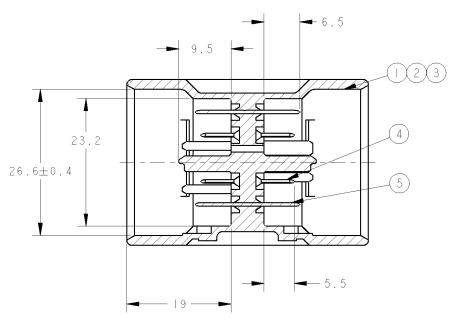


SCALE 3:2

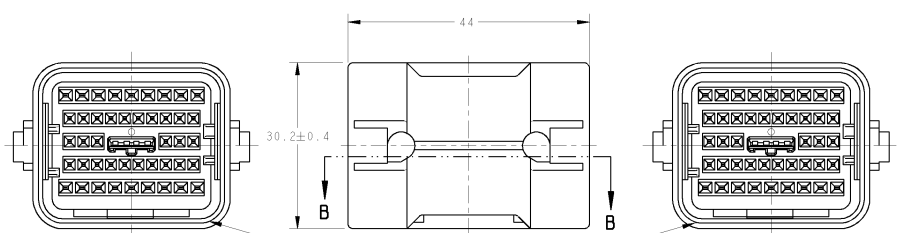


B-B SCALE 2:1

REV. NO.	DATE	BY	CHKD.	DESCRIPTION
0	19MAR04	K.S.	Y.F.	RELEASED FJAO-0147-04
A	29JUL04	K.S.	Y.F.	REVISED FJAO-0526-04
B	29MAY10	SF	KB	REVISED ECR-10-007504

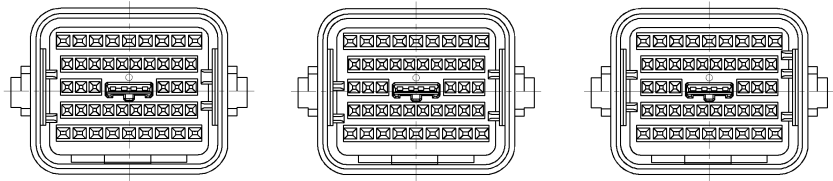


A-A SCALE 2:1



△ 嵌合部は両面同じCODINGのものである。
 2. 相手ハウジングとスムーズに嵌合できること。
 嵌合部番号 ; 1717138

△ THE FIT FRONTAGE IS SOMETHING OF BOTH SIDES SAME CODING.
 2. MATING WITH PLUG HOUSING SMOOTHLY.
 PLUG HOUSING PRODUCT NUMBER ; 1717138



CODING A

CODING B

CODING C

18	18	18	TIN PLATE	COPPER ALLOY	5			
26	26	26	TIN PLATE		4			
C	I		WHITE	PBT GF30	3			
B		I	GRAY		2			
A		I	GREEN		1			
CODING			-3	-2	-1	FINISH	MATERIAL	NO.

DIMENSIONS: mm		OPERATOR: Y. NOSHIGUCHI		DATE: 19MAR04	REV: 0
TOLERANCE: ±0.3		DRAWN: Y. ILLIWARA		DATE: 19MAR04	REV: 0
MATERIAL: SEE TABLE		APPLICATION SPEC: SEE TABLE		SIZE: CASE CODE: A2	
CUSTOMER DRAWING		TYCO ELECTRONICS CORPORATION		025/040 SEALED CONNECTOR RELAY HEADER ASSY	
		K. SHIGA		19MAR04	
		Y. NOSHIGUCHI		19MAR04	
		Y. ILLIWARA		19MAR04	
		TYCO ELECTRONICS CORPORATION		Karasahi, Japan	
		SCALE: 2:1		SHEET 1 OF 1	