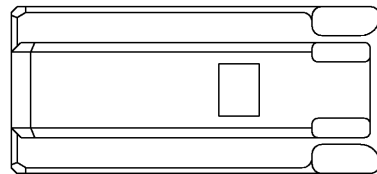


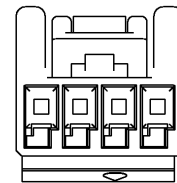
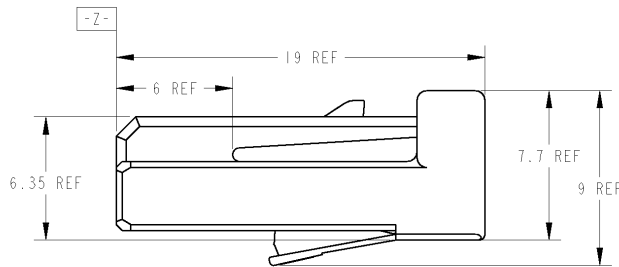
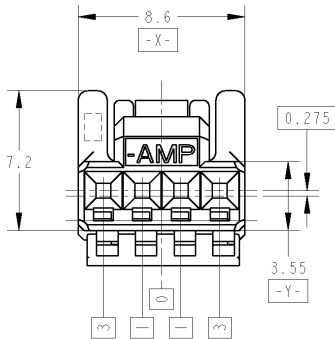
THIS DRAWING IS UNPUBLISHED. RELEASED FOR PUBLICATION  
 © COPYRIGHT 20 BY TYCO ELECTRONICS CORPORATION. ALL RIGHTS RESERVED.

LOC	DIST	REVISIONS						
		P	LTR	DESCRIPTION	ECN	DATE	DWN	APVD
J	-	0		RELEASED	FJ00-1428-99	02SEP99	N.Y	N.S
		01		ADDED -1	ECR-06-017761	21JUL06	TS	KB
		A		REVISED	ECR-06-024409	13NOV06	SK	SI



1. INSTRUCTION SHEET ; 411-5933
2. DOUBLE LOCK SHOULD BE SET TO THE PRE-ASSEMBLY POSITION WITHIN THE PLUG HOUSING WHEN SHIPPED TO THE CUSTOMER.
3. CAP HOUSING TO BE MATED ON SHEET 2 OF 2.

1. 取扱説明書：411-5933
2. ダブルロックは、仮停止状態で出荷される。
3. 嵌合相手は、SHEET 2 OF 2参照。



BLACK	1318620-2
BLUE	1318620-1
COLOR	PART NUMBER

THIS DRAWING IS A CONTROLLED DOCUMENT FOR TYCO ELECTRONICS CORPORATION IT IS SUBJECT TO CHANGE AND THE CONTROLLING ENGINEERING ORGANIZATION SHOULD BE CONTACTED FOR THE LATEST REVISION.		DWN N. YASUDA 02SEP99 CHR N. SAI 02SEP99 APVD N. SAI 02SEP99	<b>tyco</b> <b>Electronics</b> Tyco Electronics AMP K.K. Kawasaki, Japan
DIMENSIONS: 単位: 英 mm	TOLERANCES UNLESS OTHERWISE SPECIFIED: 一般公差 ± 0.2 0-PLC ± 0.1 1-PLC ± 0.1 2-PLC ± 0.01 3-PLC ± 0.001 4-PLC ± 0.0001 ANGLES ± 0.001 FINISH 仕	PRODUCT SPEC 108-5675 APPLICATION SPEC 114-5250 WEIGHT 0.65	NAME 025 4P PLUG HOUSING, ANCHOR HEIGHT SENSOR SIZE A3 CAGE CODE 00779 DRAWING NO. 1318620 RESTRICTED TO -
MATERIAL PBT	FINISH BLACK	CUSTOMER DRAWING	SCALE 5:1 SHEET 1 OF 2 REV A

AMP 1470-19 REV 31MAR2000

P10/JENGINEER DRAWING

4

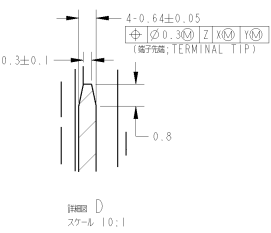
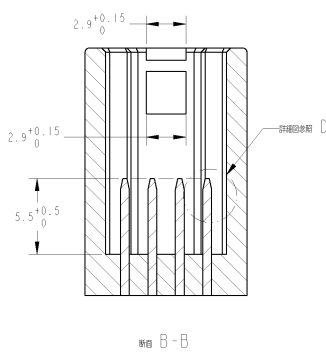
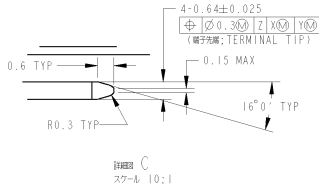
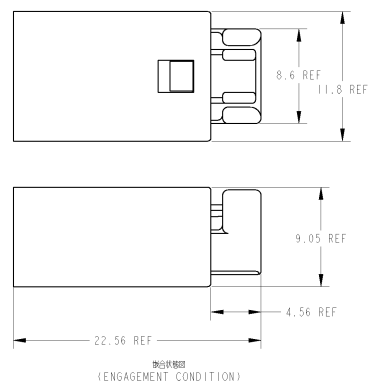
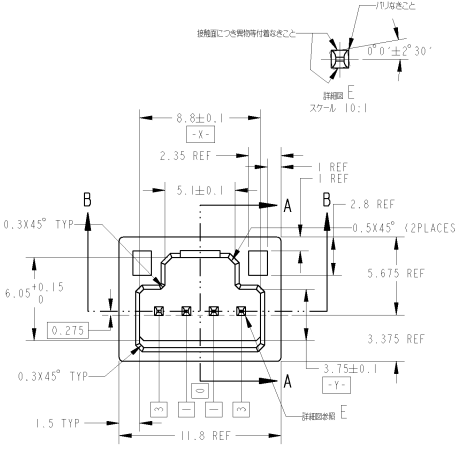
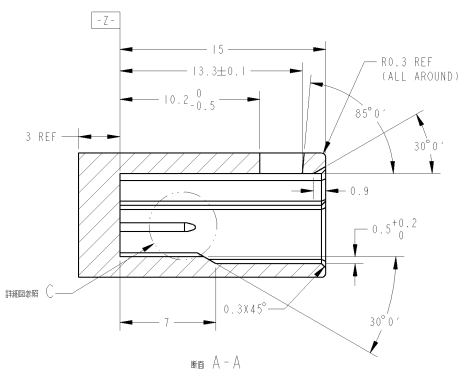
3

2

1

THIS DRAWING IS UNPUBLISHED. RELEASED FOR PUBLICATION BY TIJO ELECTRONICS CORPORATION. ALL RIGHTS RESERVED.

REV. NO.	DATE	BY	CHK	DESCRIPTION
1	-	-	-	SEE SHEET 1 OF 2



1. INSTRUCTION SHEET ; 411-5933
2. HOUSING MATERIAL ; PBT(GF15%)
3. TERMINAL MATERIAL ; BRASS(USN NO.C26000,C26800) TIN-LEAD 0.8-1.5mm OVER COPPER PLATED 0.5-1.5mm.
4. THIS SHEET FOR CAP HOUSING DESIGN.
5. PART NUMBER OF PLUG HOUSING TO BE MATED ; 1318620.

OWN	TYJO ELECTRONICS	02SEP99	TYJO Electronics AMP B.S.
CHK	M. SASAKI	02SEP99	Kawasaki, Japan
APP	M. SASAKI	02SEP99	
DESIGN SPEC	108-5675		025 4P PLUG HOUSING, ANCHOR HEIGHT SENSOR
APPLICATION SPEC	114-5250		
WEIGHT			SIZE CASE CODE WING NO
			A 2100779 C=1318620
			RESTRICTED TO
			SCALE 1:1 SHEET 2 OF 2 REV A

SIGNATURE:	SEE NOTE
DATE:	SEE NOTE
SCALE:	SEE NOTE
WEIGHT:	SEE NOTE