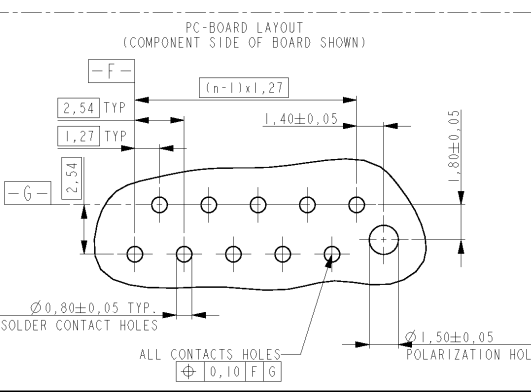
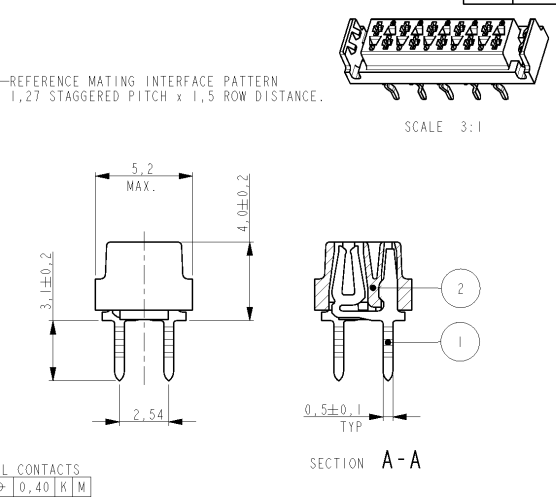
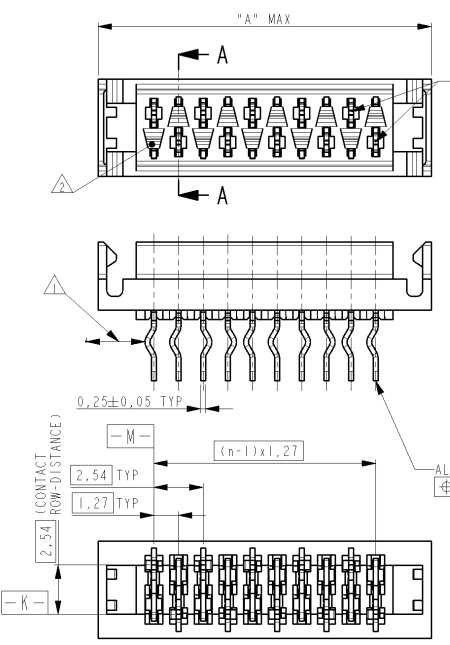
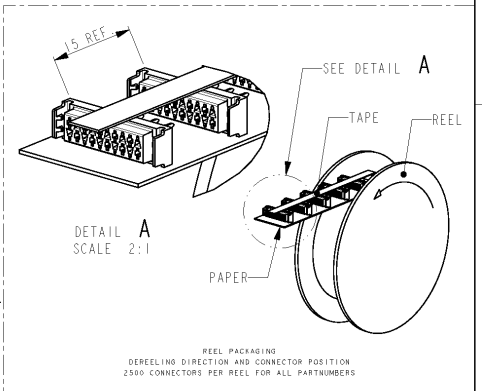


THIS DRAWING IS UNPUBLISHED. RELEASED FOR PUBLICATION. ALL RIGHTS RESERVED.

REVISONS		DATE	DWN	AFVD
P	LTR	DESCRIPTION		
E1		REVISED PER ECO-11-005294	28APR11	RK HMR



NOTES:  
 1. IN EACH ROW, DIRECTION OF KINKS STARTS RANDOM.  
 2. IN EACH ROW, SEQUENTIAL CONTACTS HAVE OPPOSITE KINK DIRECTIONS.  
 3. CORING-OUTS FOR MANUFACTURING PURPOSE ONLY. SHAPE MAY VARY, BUT IS NOT FUNCTIONAL FOR THE APPLICATION.  
 3 SHOWN IS A 10 POSITION CONNECTOR.



ITEM NO.	DESCRIPTION	MATERIAL	FINISH / COLOR
2	FEMALE HOUSING	G.F. POLYESTER PBT	RED
1	FEMALE CONTACT	PHOSPHOR BRONZE	TIN OVER NICKEL

DIMENSIONS: mm 		TOLERANCES UNLESS OTHERWISE SPECIFIED: 0 PLC ± 1 PLC ± 2 PLC ± 3 PLC ± 4 PLC ± ANGLES ±		DWN M. GOSSELINK CHR - APVD - NAME - PRODUCT SPEC 108-19052 APPLICATION SPEC - WEIGHT - MATERIAL SEE TABLE FINISH SEE TABLE		<b>TE Connectivity</b> CONNECTOR, FEMALE-ON-BOARD TOP-ENTRY, THRU-HOLE, WITH LATCHES, Micro-MaTch SIZE A3 CAGE CODE 00779 DRAWING NO C-338068 RESTRICTED TO -	
CUSTOMER DRAWING				SCALE 5:1	SHEET 1	OF 1	REV E1