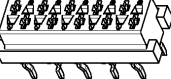
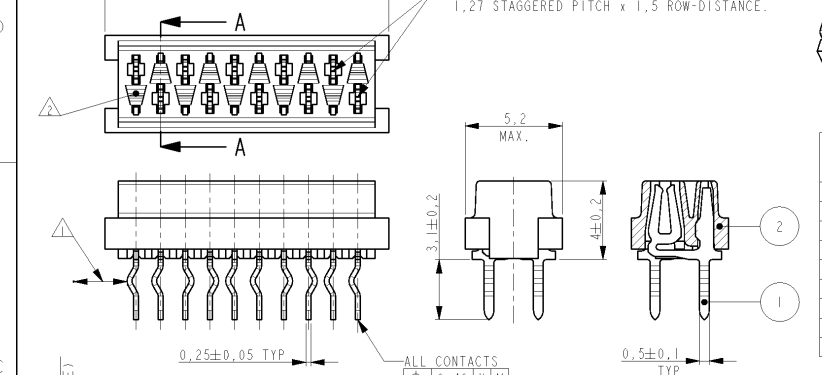
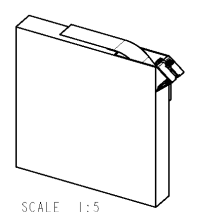


4 3 2 1

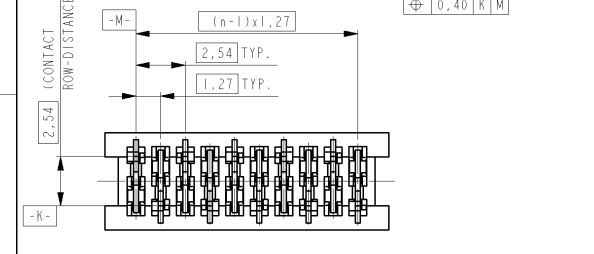


SCALE 3:1

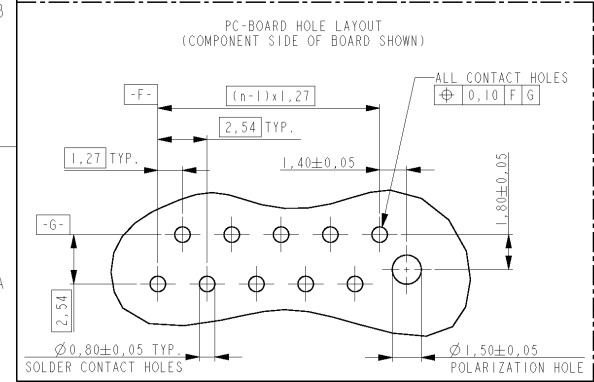
PARTNUMBER BOX PACKAGING	PARTNUMBER REEL PACKAGING	NR OF POS "n"	DIMENSION "A" MAX
7-215079-4	215079-4	4	7,1
7-215079-6	215079-6	6	9,7
7-215079-8	215079-8	8	12,2
8-215079-0	1-215079-0	10	14,7
8-215079-2	1-215079-2	12	17,3
8-215079-4	1-215079-4	14	19,8
8-215079-6	1-215079-6	16	22,4
8-215079-8	1-215079-8	18	24,9
9-215079-0	2-215079-0	20	27,4



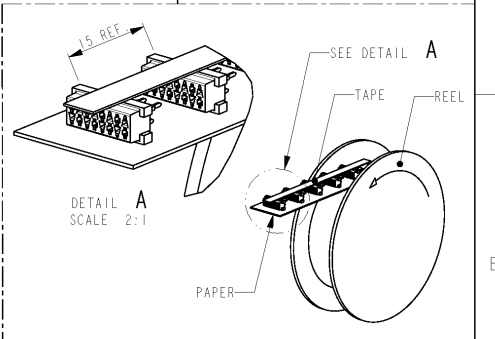
SCALE 1:5
 BOX PACKAGING
 250 CONNECTORS PER BOX
 FOR ALL PARTNUMBERS



SECTION A-A



- NOTES:
- △ IN EACH ROW, DIRECTION OF KINKS STARTS RANDOM.
 - IN EACH ROW, SEQUENTIAL CONTACTS HAVE OPPOSITE KINK DIRECTIONS.
 - △ CORING-OUTS FOR MANUFACTURING PURPOSE ONLY. SHAPE MAY VARY, BUT IS NOT FUNCTIONAL FOR THE APPLICATION.
 - 3 SHOWN IS A 10 POSITION CONNECTOR.



REEL PACKAGING
 DEREELING DIRECTION AND CONNECTOR POSITION
 2500 CONNECTORS PER REEL FOR ALL PARTNUMBERS

2	FEMALE HOUSING	G.F. POLYESTER PBT	RED
1	FEMALE CONTACT	PHOSPHOR BRONZE	TIN OVER NICKEL
ITEM NO.	COMPONENT DESCRIPTION	MATERIAL	FINISH / COLOR

DIMENSIONS: mm		TOLERANCES UNLESS OTHERWISE SPECIFIED:		DWN M. GOSSELINK		TE Connectivity CONNECTOR, FEMALE-ON-BOARD TOP-ENTRY, THRU-HOLE, Micro-Match	
		0 PLC ± 1 PLC ± 2 PLC ± 3 PLC ± 4 PLC ± ANGLES ±		APVD -			
MATERIAL SEE TABLE		FINISH SEE TABLE		NAME		SIZE CAGE CODE DRAWING NO	
				PRODUCT SPEC 108-19052		A3 00779 C-215079	
				APPLICATION SPEC		SCALE 5:1 SHEET 1 OF 1 REV W1	
				WEIGHT -			
				CUSTOMER DRAWING			