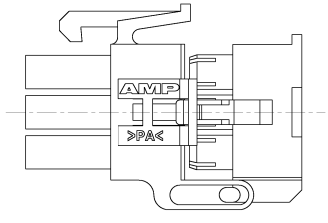
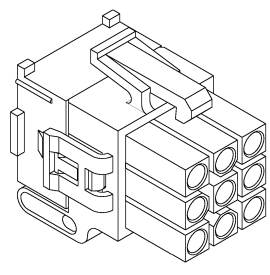
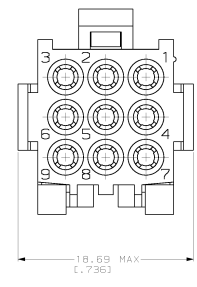
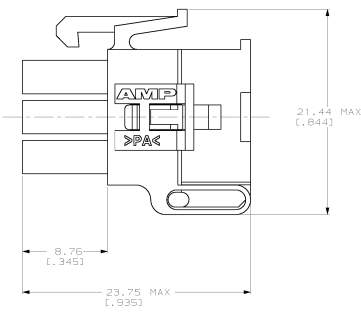
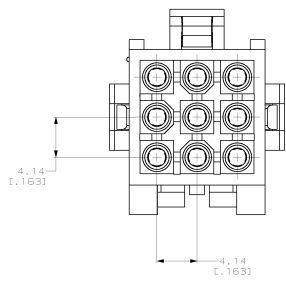


REV. NO.		REV. DATE		REVISIONS	
CM	53	11/14	11/14	1	REV PER EC 0618-0094-99
				2	REV PER EC 0618-0094-99



PRE-STAGED CONDITION

1. DIMENSIONS IN BRACKETS ARE IN INCHES.



3-DIMENSIONAL MODEL
 NTS

794194-1
 PART NUMBER

THIS DRAWING IS A CONTROLLED DOCUMENT.		DATE	BY	CHKD	APP'D
DATE	BY	CHKD	APP'D	AMP Incorporated Harrisburg, PA 17105-3608	
REV	DATE	BY	CHKD	APP'D	DESCRIPTION
1	11/14	CM	53		PLUG, 9 CIRCUIT, MINI UNIVERSAL MATE-N-LOK™ 2
2	11/14	CM	53		REV. ONE CIRC. CHANGE TO A1 00778 794194
3	11/14	CM	53		REV. TWO CIRC. CHANGE TO A1 00778 794194

